

[54] **ELECTRICAL CONNECTOR**

[75] **Inventor: Yasuji Shibano, Izumisano, Japan**

[73] **Assignee: Hosiden Electronics Co., Ltd., Yao, Japan**

[**] **Term: 14 Years**

[21] **Appl. No.: 828,422**

[22] **Filed: Feb. 11, 1986**

[30] **Foreign Application Priority Data**

Oct. 7, 1985 [JP] Japan 60-42067

[52] **U.S. Cl. D13/24**

[58] **Field of Search D13/13, 24-31, D13/40; 439/629, 630, 631**

[56] **References Cited**

U.S. PATENT DOCUMENTS

3,482,201 12/1969 Schneck 439/631
3,601,770 8/1971 Bowley 439/629
3,629,809 12/1971 Tillmann et al. 439/629

FOREIGN PATENT DOCUMENTS

0007183 1/1980 European Pat. Off. 439/629
2449985 9/1980 France 439/630
1436002 5/1976 United Kingdom 439/629

OTHER PUBLICATIONS

Electronic Design, Apr. 30, 1987, p. 149, Thomas & Betts' advertisement.

Primary Examiner—Bruce W. Dunkins
Assistant Examiner—Clare E. Heflin
Attorney, Agent, or Firm—Jones, Tullar & Cooper

[57] **CLAIM**

The ornamental design for an electrical connector, as shown and described.

DESCRIPTION

FIG. 1 is a front, top and one side perspective view of the electrical connector showing my new design; FIG. 2 is a front elevational view thereof; FIG. 3 is a rear elevational view thereof; FIG. 4 is a right side elevational view thereof; FIG. 5 is a left side elevational view thereof; FIG. 6 is a top plan view thereof; FIG. 7 is a bottom plan view thereof.

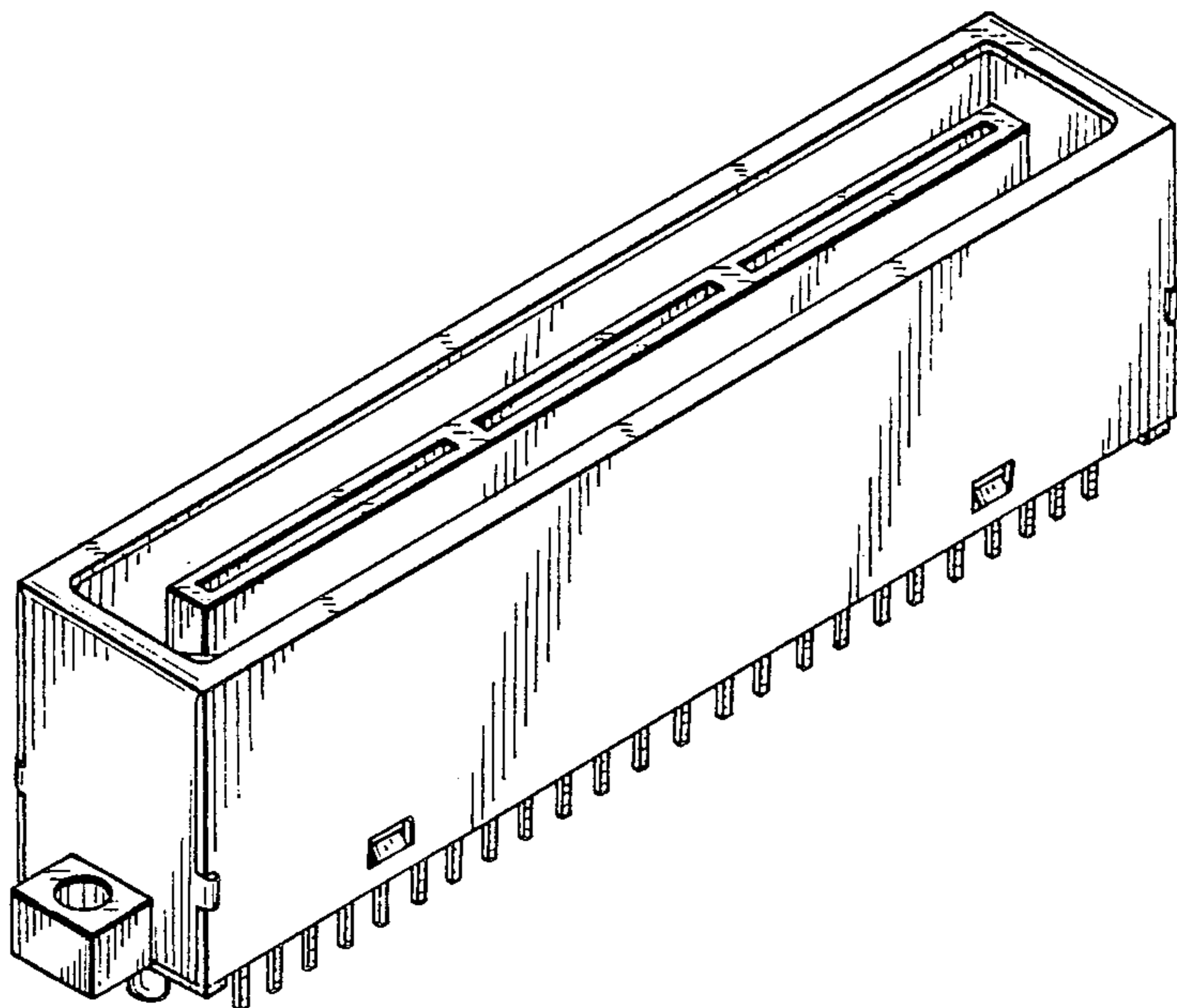


Fig. 1

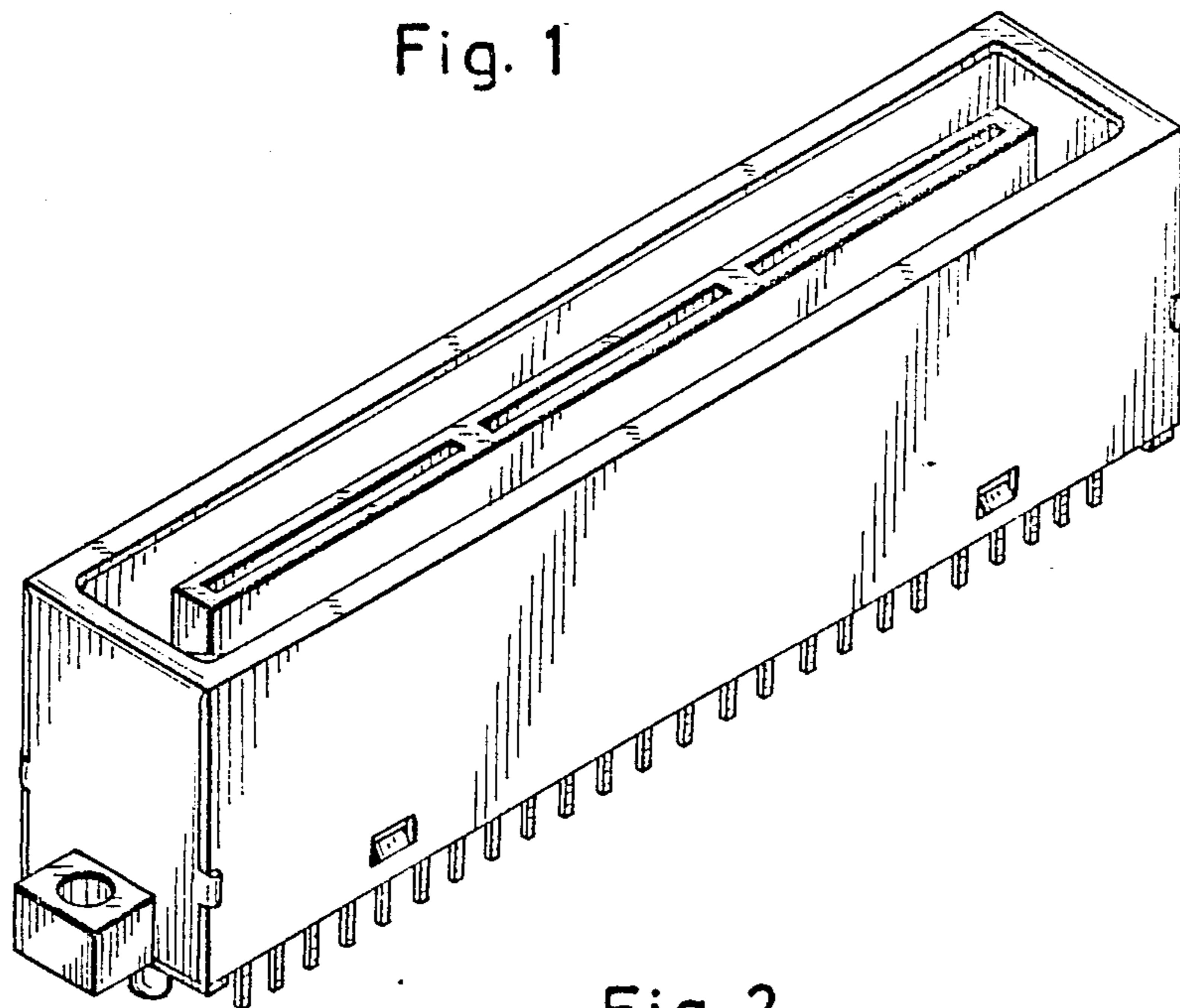


Fig. 2

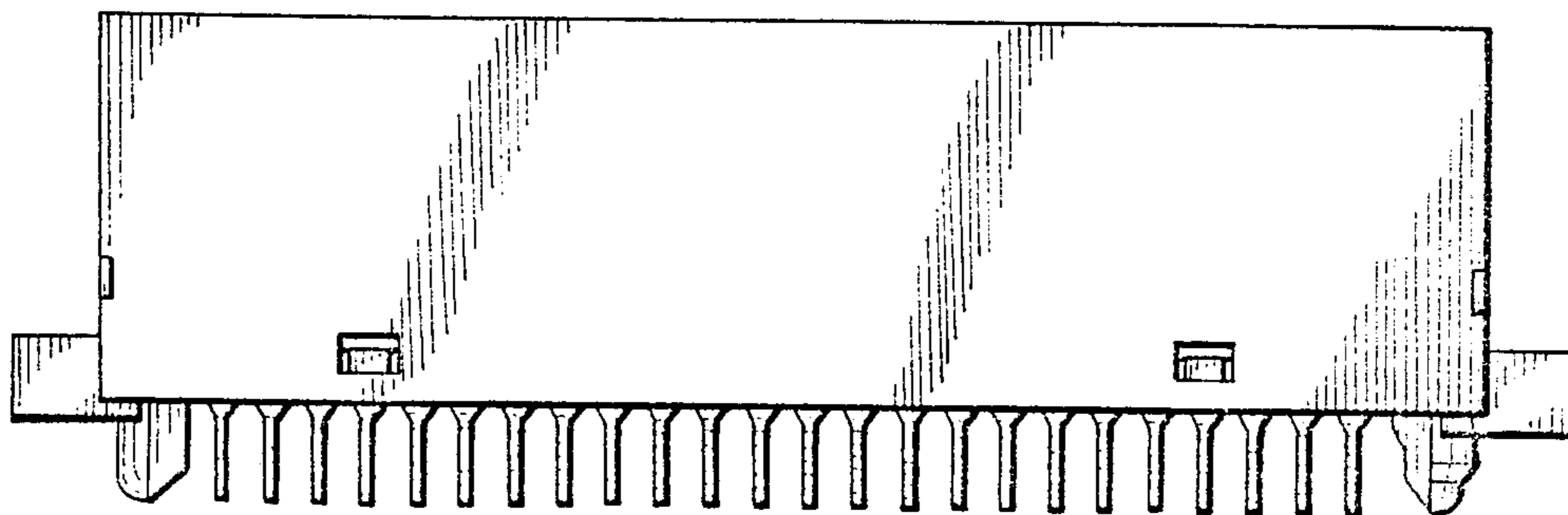


Fig. 3

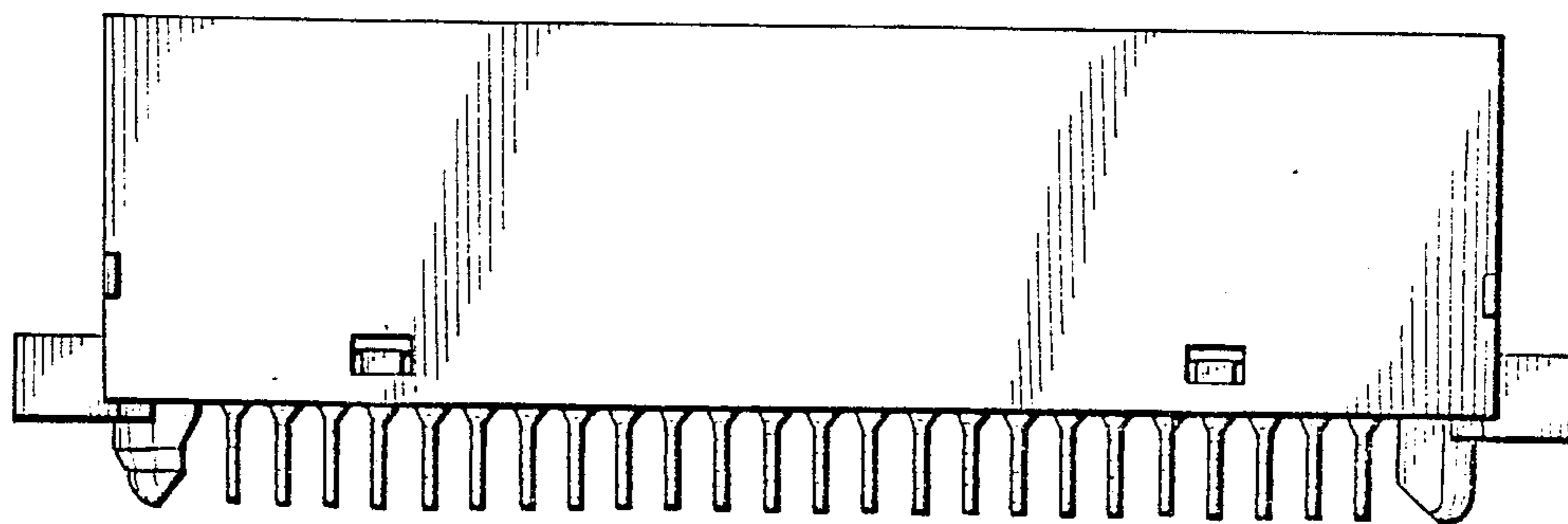


Fig. 4

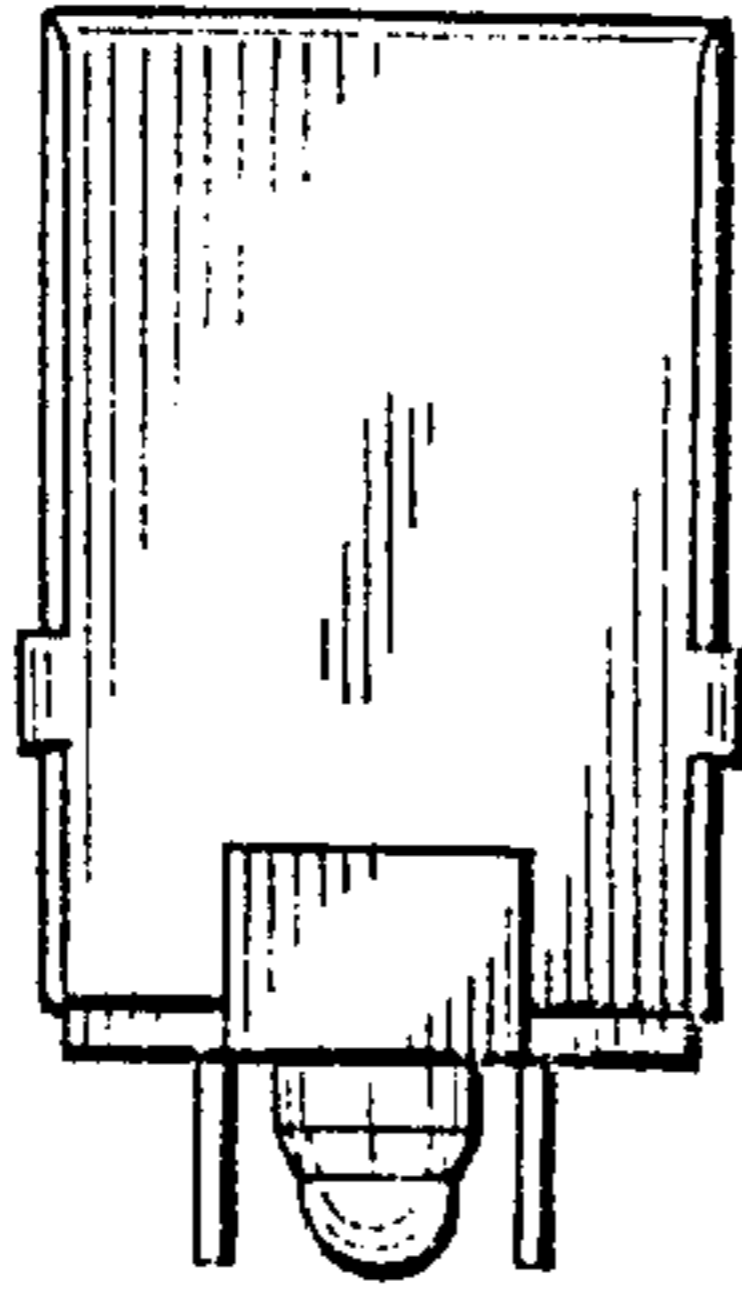


Fig. 5

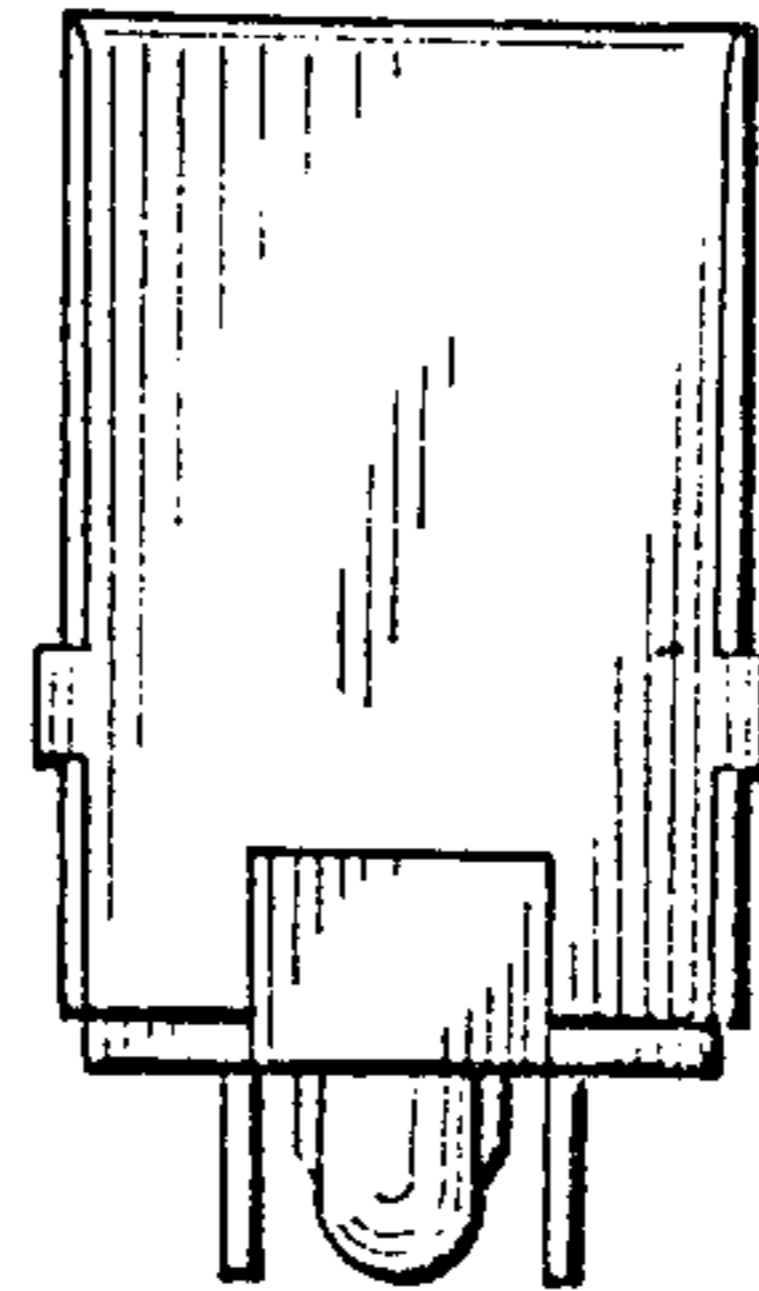


Fig. 6

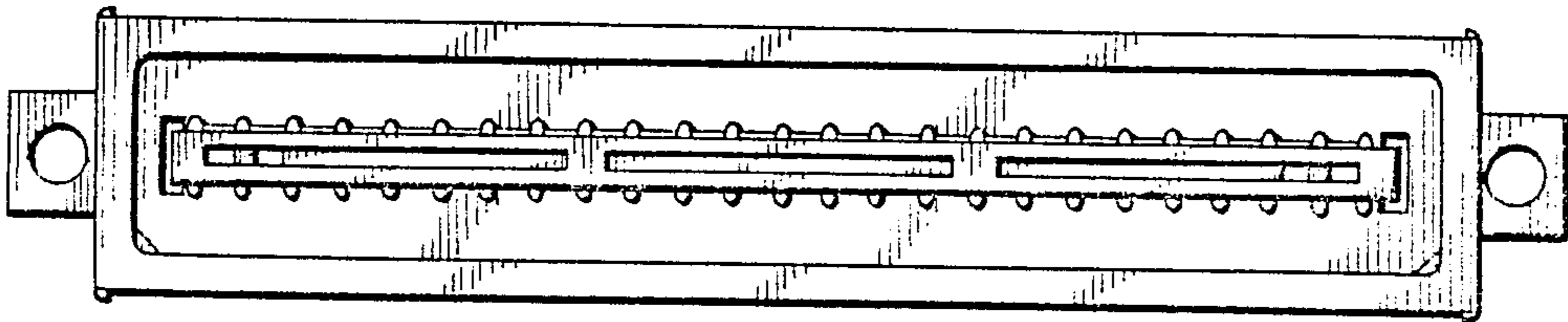


Fig. 7

