

[54] **WHEEL COVER**

[75] **Inventor: David S. McIntosh, Southfield, Mich.**

[73] **Assignee: General Motors Corporation, Detroit, Mich.**

[**] **Term: 14 Years**

[21] **Appl. No.: 95,938**

[22] **Filed: Sep. 14, 1987**

[52] **U.S. Cl. D12/209; D12/204**

[58] **Field of Search D12/204, 209, 212, 206;
301/37 R, 37 P, 63 R, 64 R, 64 SD, 65**

[56] **References Cited**

U.S. PATENT DOCUMENTS

D. 114,118 4/1939 Hunt et al. D12/209
2,198,057 4/1940 Lyon 301/64 SD

OTHER PUBLICATIONS

1985 Oldsmobile Brochure, inside rear cover, Oldsmobile Calais Wheel.

Road & Track, 1/86, p. 69, Audi 5000 Wheel, bottom center of page.

Tire Review, 5/85, p. 510, "S" Racing Wheel, second row down from top and second box in from left side of page.

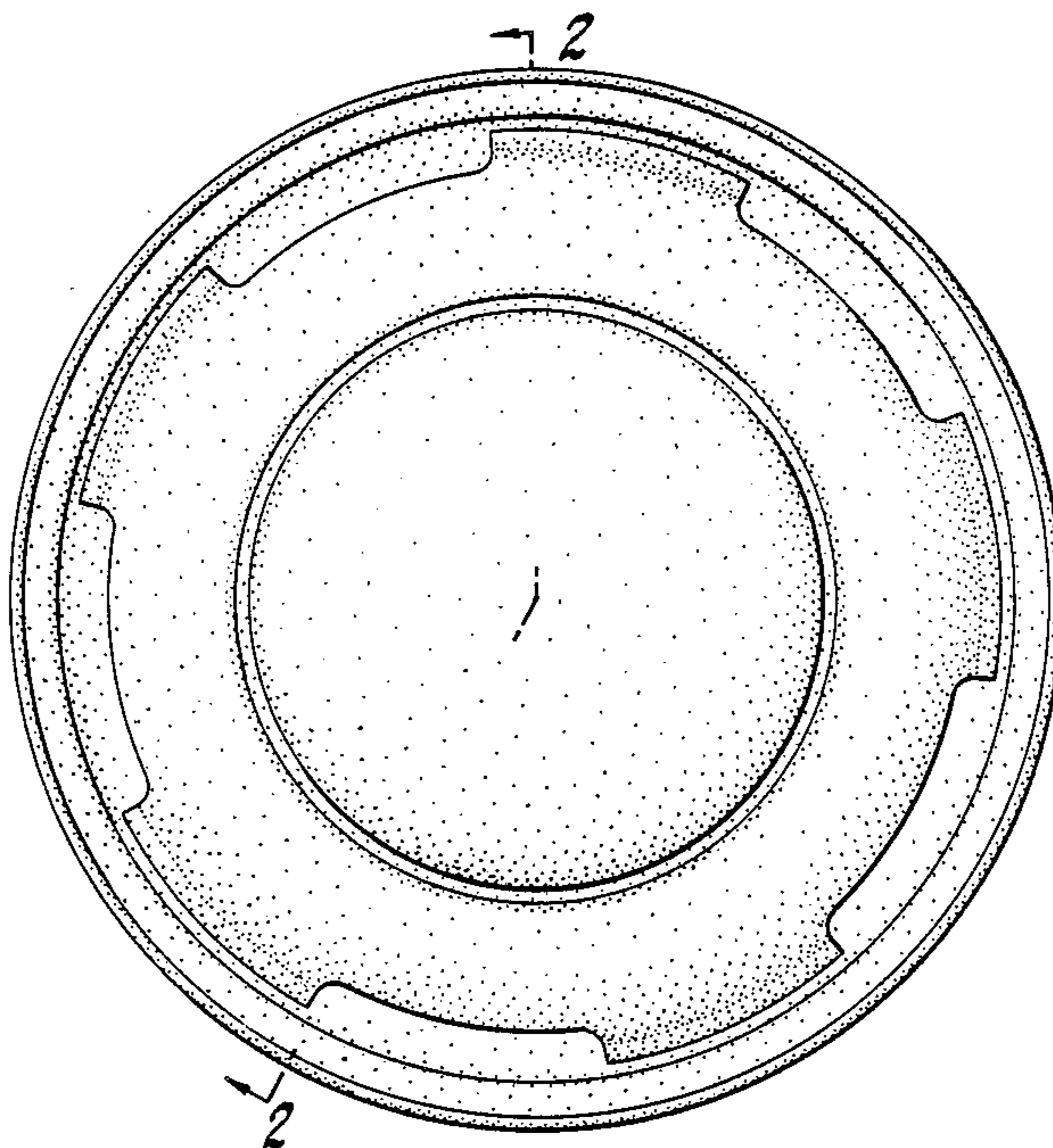
Primary Examiner—James M. Gandy
Attorney, Agent, or Firm—Herbert Furman

[57] **CLAIM**

The ornamental design for a wheel cover, as shown.

DESCRIPTION

FIG. 1 is a front elevational view of a wheel cover. FIG. 2 is a sectional view taken on line 2—2 of FIG. 1. FIG. 3 is an enlarged fragmentary sectional view of the portion of FIG. 2 shown in the circle 3, and FIG. 4 is an enlarged fragmentary sectional view of the portion of FIG. 2 shown in the circle 4.



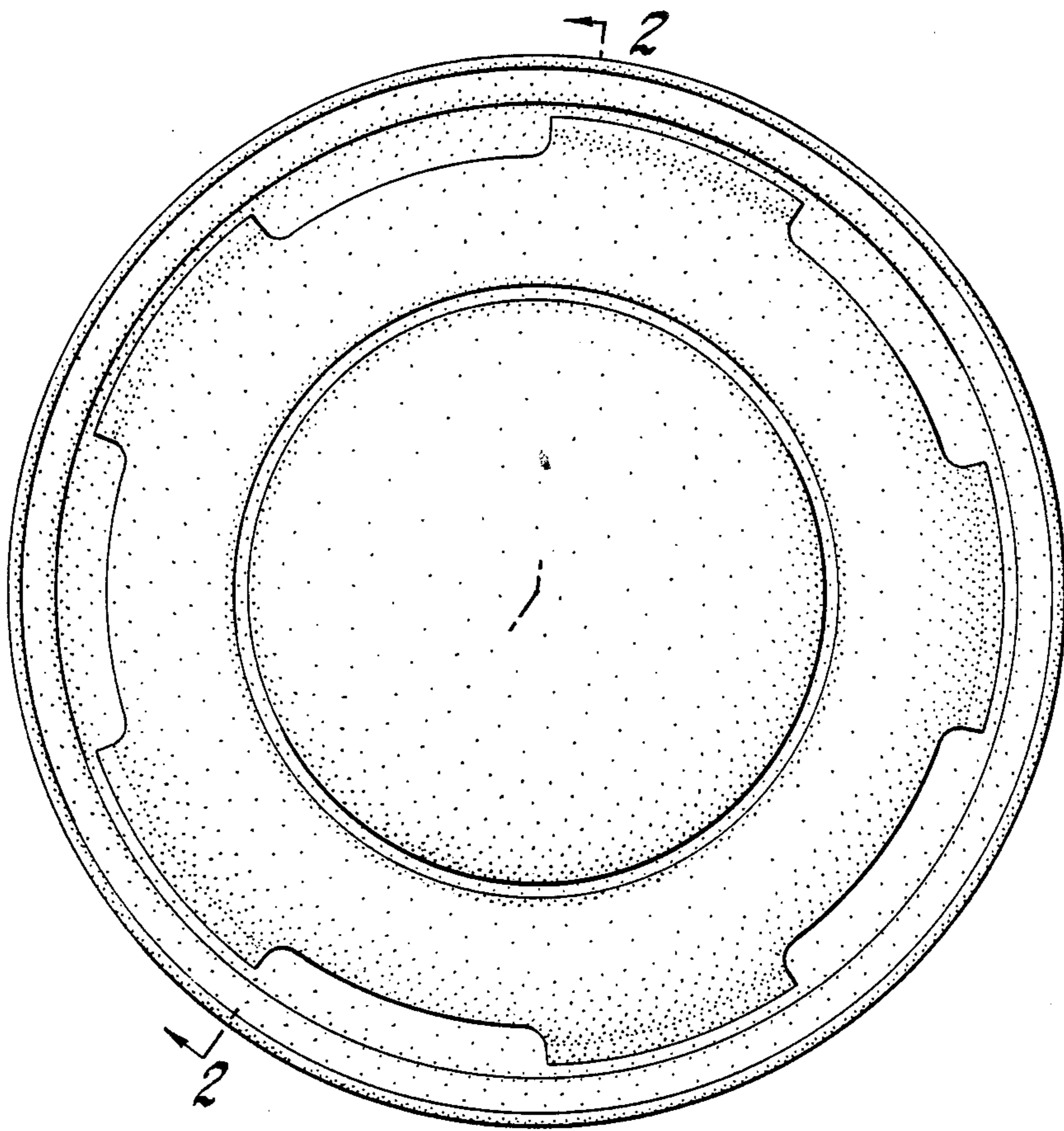


Fig. 1

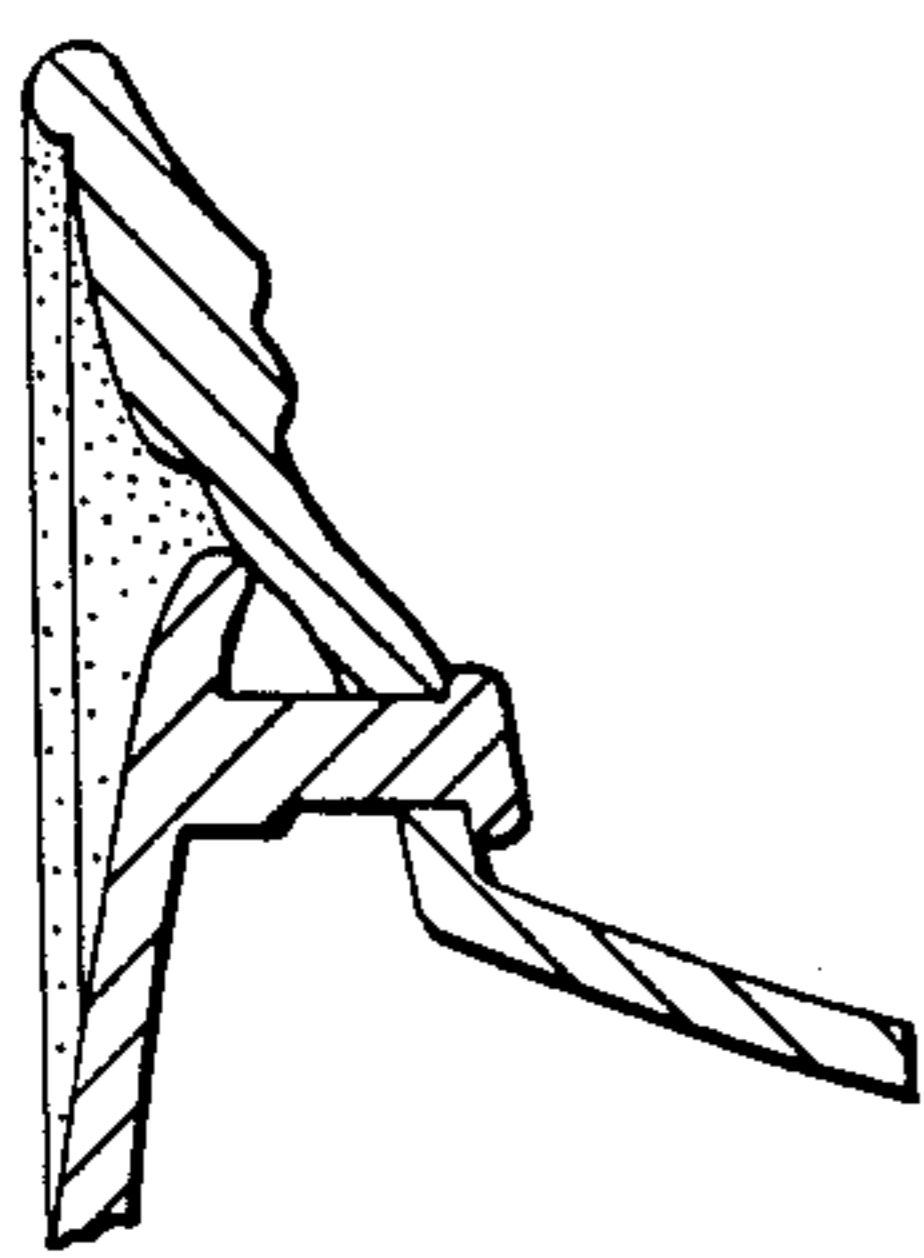


Fig. 3

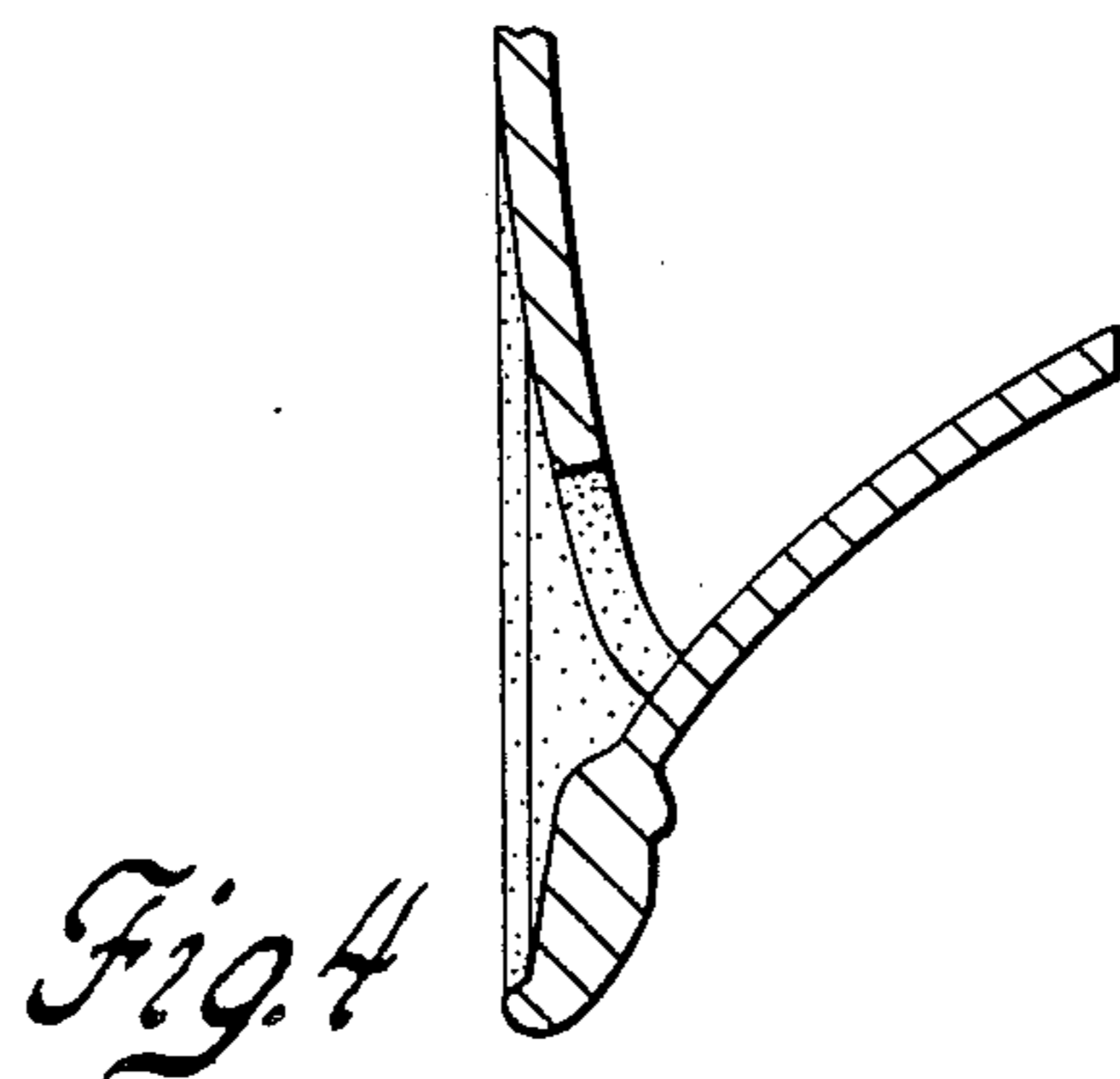


Fig. 4

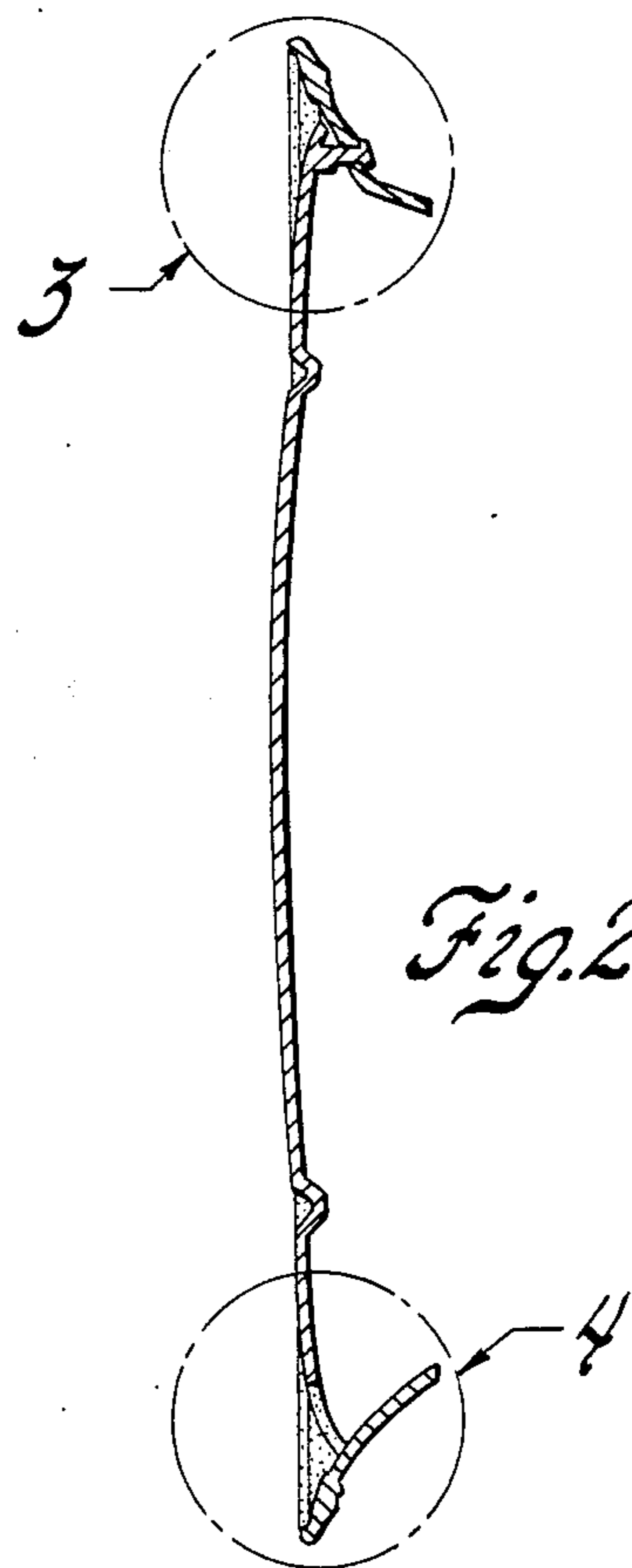


Fig. 2