

[54] MOTORCYCLE TIRE

[75] Inventor: Sadahiko Matsumura, Hyogo, Japan

[73] Assignee: Sumitomo Rubber Industries, Ltd., Hyogo, Japan

[**] Term: 14 Years

[21] Appl. No.: 876,258

[22] Filed: Jun. 19, 1986

[30] Foreign Application Priority Data

Apr. 7, 1986 [JP] Japan 61-12770

[52] U.S. Cl. D12/147

[58] Field of Search D12/141-143, D12/146-151; 152/209 R, 209 D, 209 B

[56] References Cited

U.S. PATENT DOCUMENTS

D. 262,011 11/1981 Kojima et al. D12/146

OTHER PUBLICATIONS

1985 Tread Design Guide, p. 230, Continental Super

Twin TK 44-Rear Street Tire, second Tire in from top left side of page.

1985 Tread Design Guide, p. 233, Yokohama E 800 Street Tire, bottom right side of page.

Primary Examiner—James M. Gandy
Attorney, Agent, or Firm—Birch, Stewart, Kolasch & Birch

[57] CLAIM

The ornamental design for a motorcycle tire, as shown and described.

DESCRIPTION

FIG. 1 is a perspective view of a motorcycle tire showing my new design it being understood that the tread design is repeated uniformly throughout the circumference of the tire and the opposite side is the same as that shown.

FIG. 2 is a front elevational view thereof; and FIG. 3 is a side elevational view thereof.

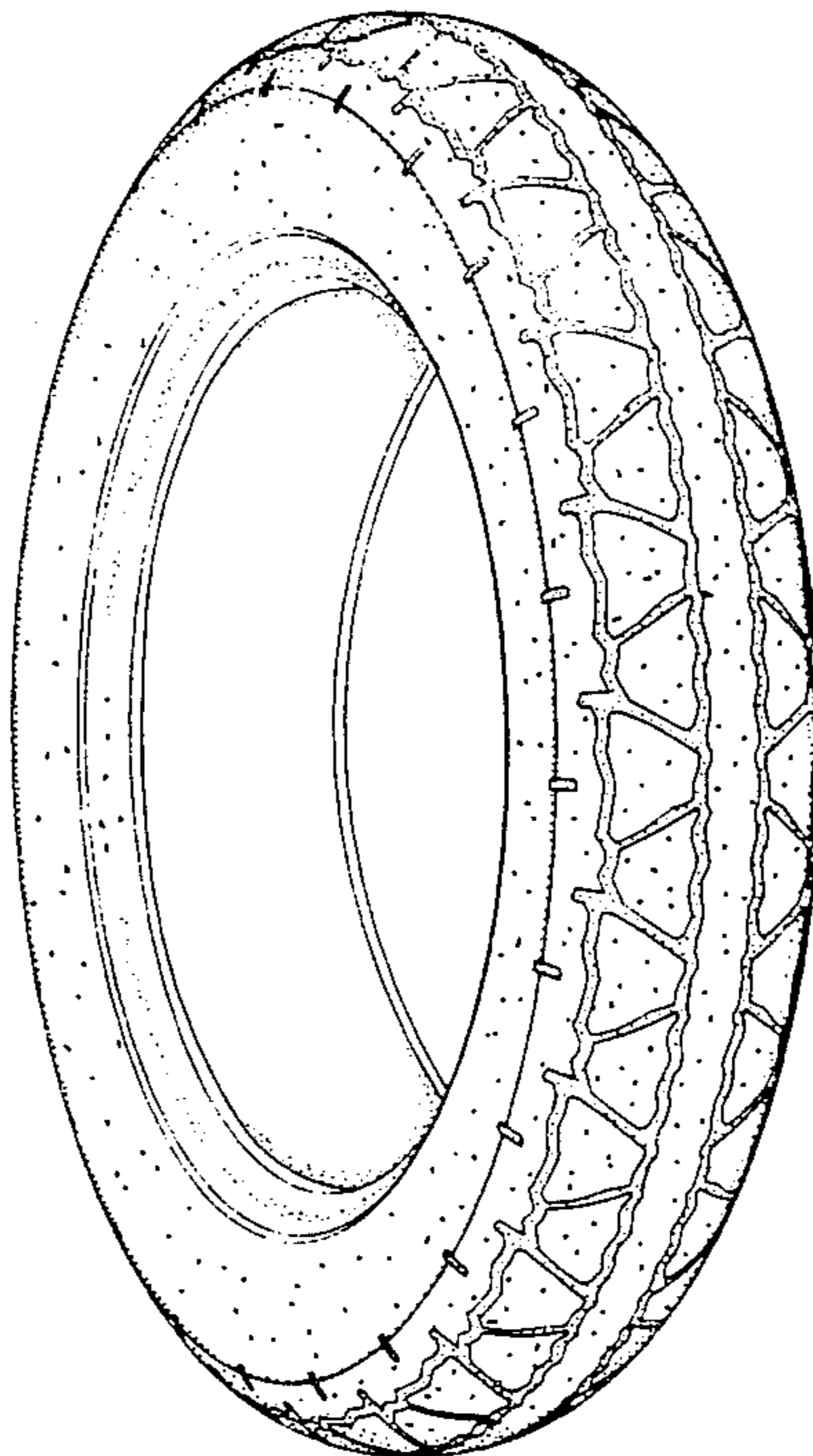


FIG. 1

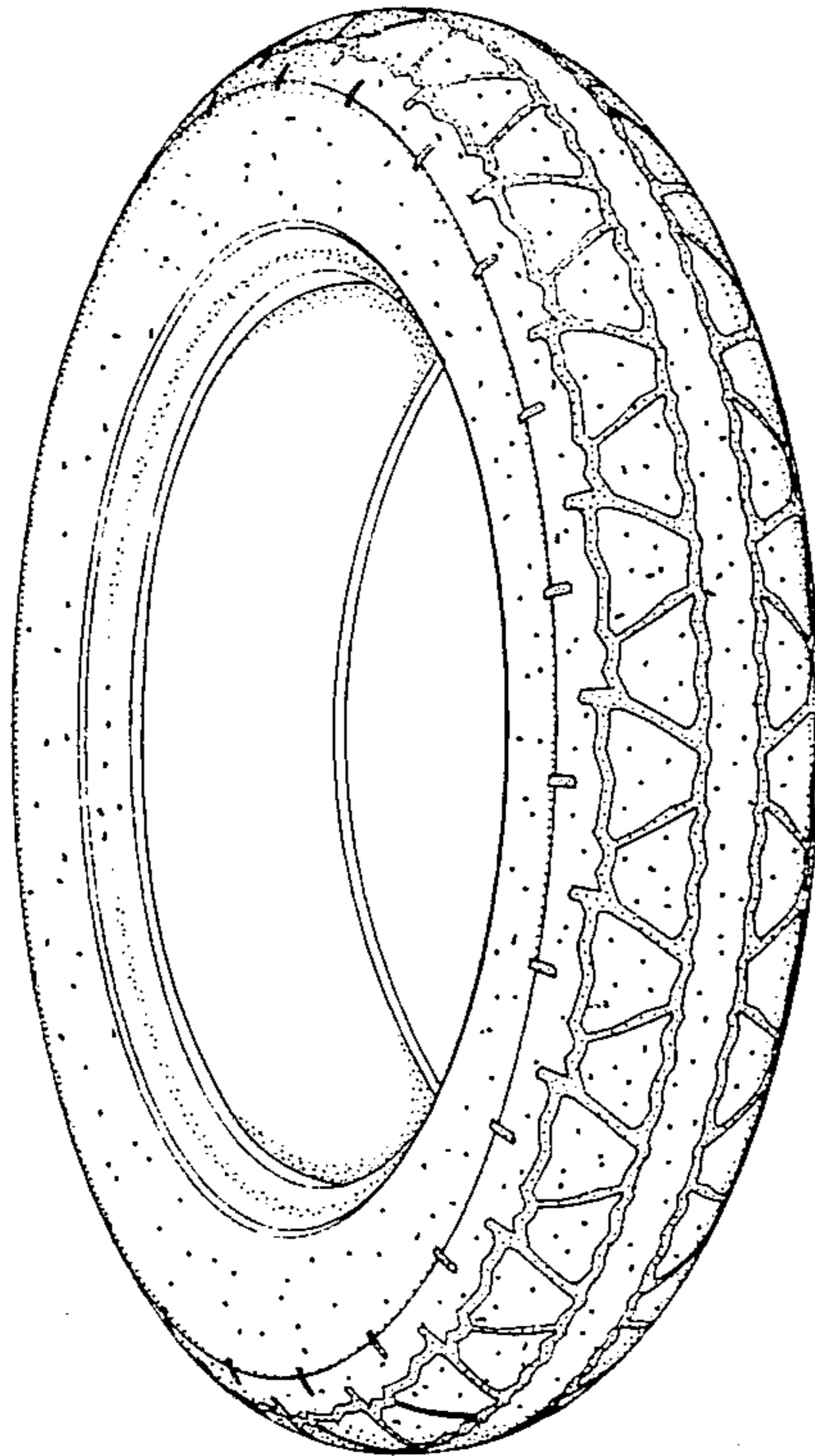


FIG. 2

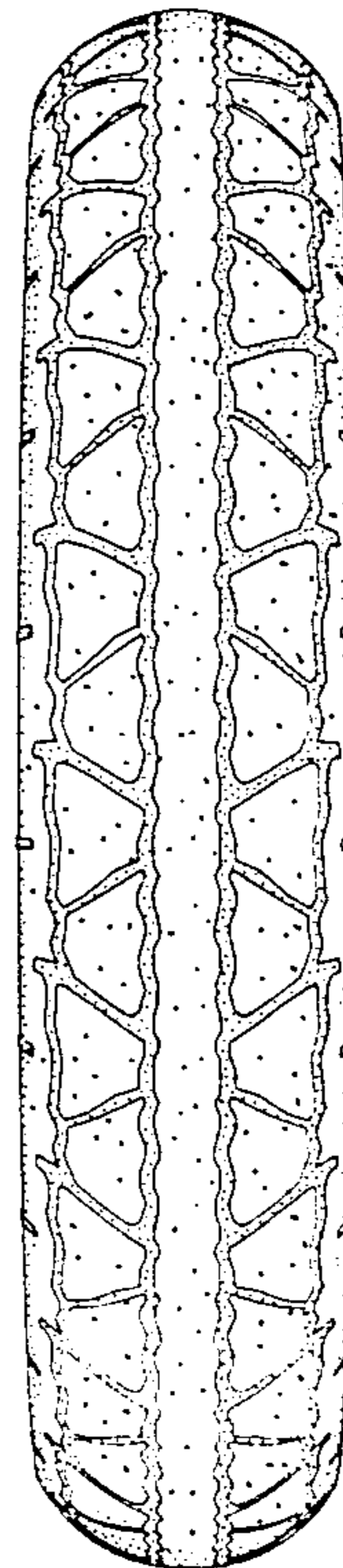


FIG. 3

