

[54] FOUR WHEEL VEHICLE

[76] Inventors: Yasuhiro Oba, 160-1, Tsurugaoka, Tsurugashimamachi, Iruma-gun, Saitama-ken; Mitsuru Yamamoto, 38-11, Sekizawa 3-chome, Fujimi-shi, Saitama-ken; Akira Watanabe, 32-5, Taishido 2-chome, Setagaya-ku, all of Japan

[\*\*] Term: 14 Years

[21] Appl. No.: 850,898

[22] Filed: Apr. 8, 1986

[30] Foreign Application Priority Data

Oct. 14, 1985 [JP] Japan ..... 60-42940  
[52] U.S. Cl. .... D12/87  
[58] Field of Search ..... D12/87, 90, 91, 92, D12/3; 296/185, 186

[56] References Cited

U.S. PATENT DOCUMENTS

D. 286,760 11/1986 Ooba et al. .... D12/87

Primary Examiner—James M. Gandy  
Attorney, Agent, or Firm—Kane, Dalsimer, Kane, Sullivan & Kurucz

[57] CLAIM

The ornamental design for a four wheel vehicle, as shown.

DESCRIPTION

FIG. 1 is a front perspective view of a four wheel vehicle showing our new design;  
FIG. 2 is a rear perspective view thereof;  
FIG. 3 is a top plan view thereof;  
FIG. 4 is a bottom plan view thereof;  
FIG. 5 is a right side perspective view thereof;  
FIG. 6 is a left side perspective view thereof; and  
FIG. 7 is a left, front perspective view thereof.

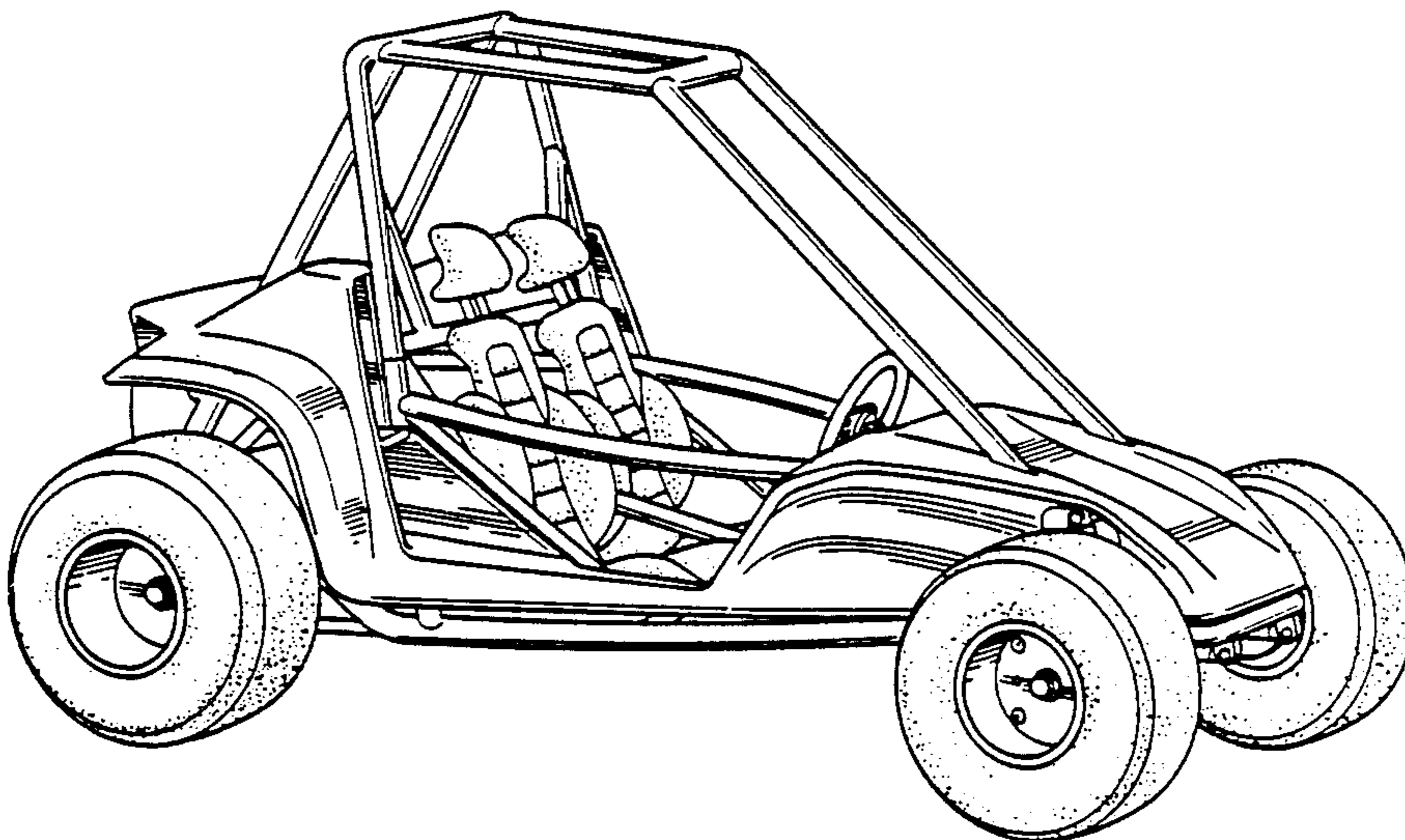


FIG. 1

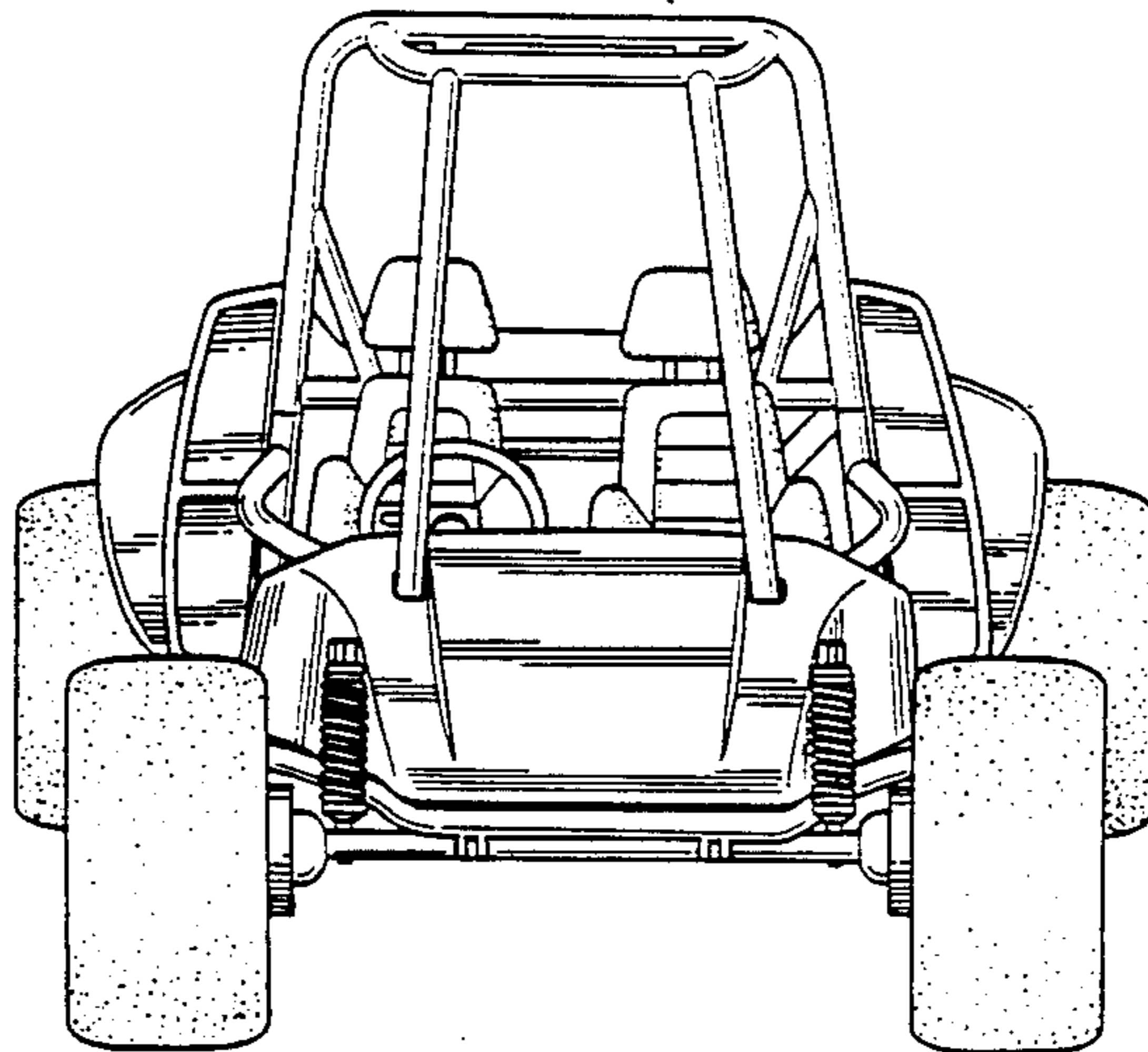


FIG. 2

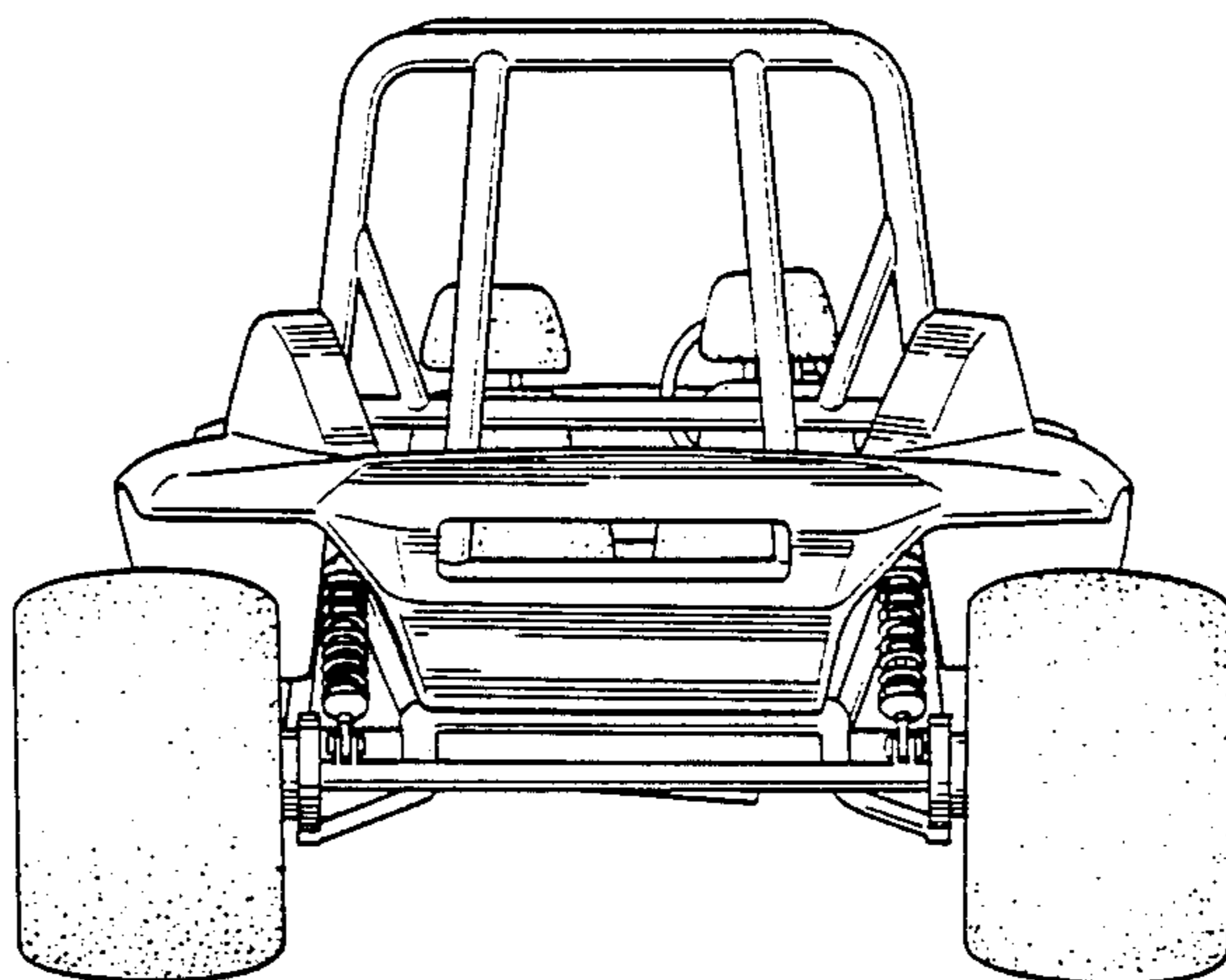


FIG. 3

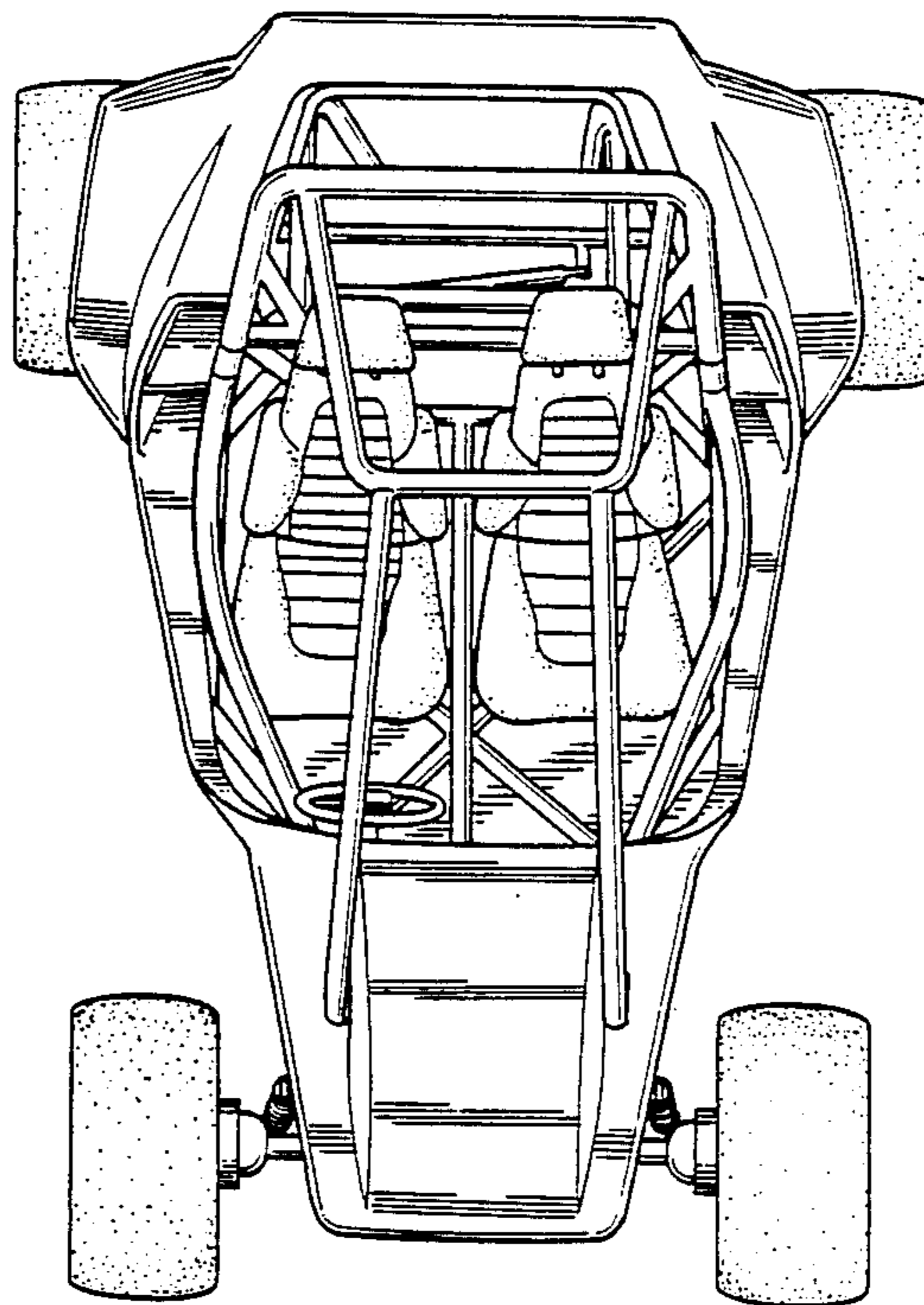


FIG. 4

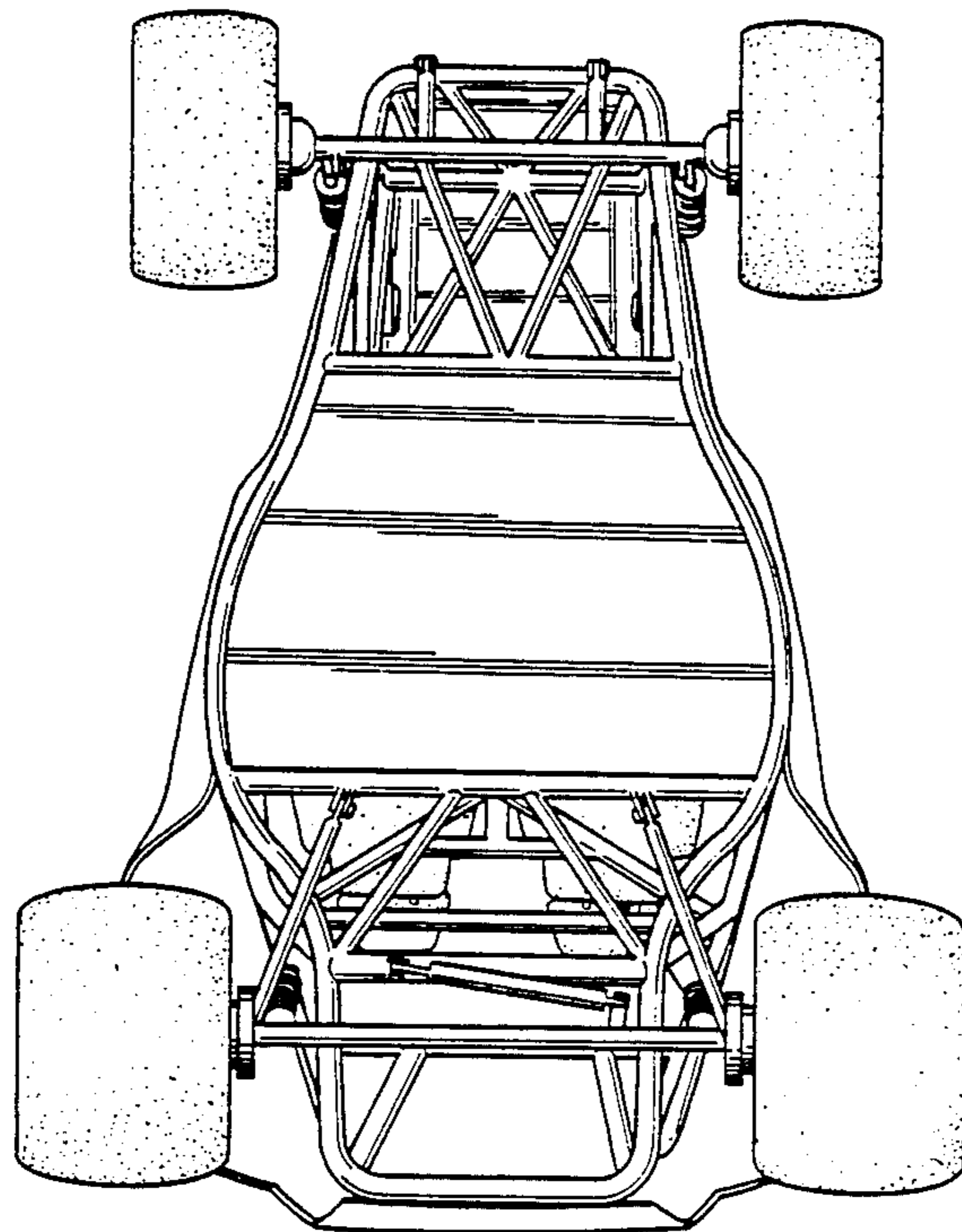


FIG. 5

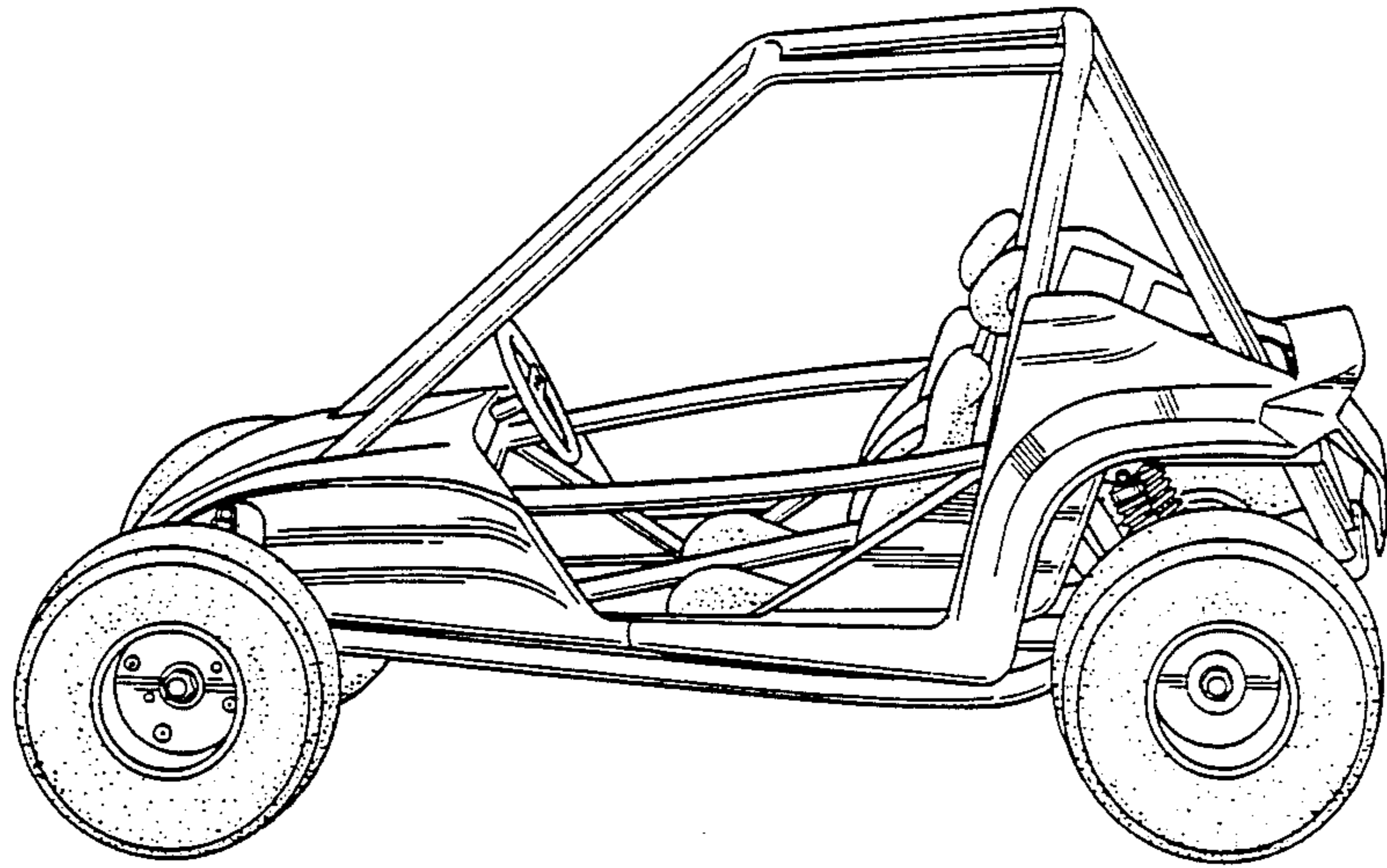


FIG. 6

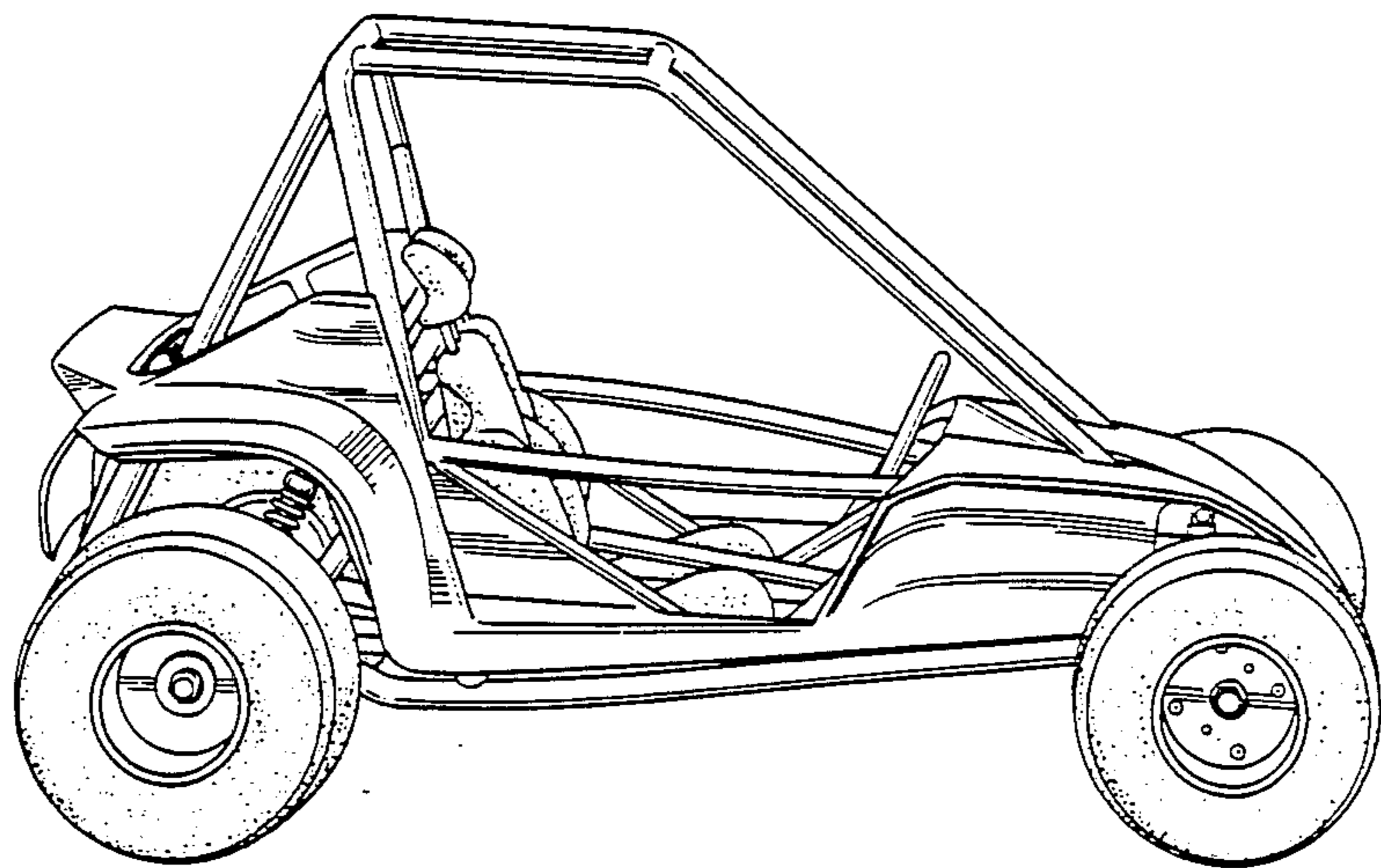


FIG. 7

