

# United States Patent [19]

Lycan

[11] Patent Number: **Des. 301,843**

[45] Date of Patent: **\*\* Jun. 27, 1989**

[54] **WELDING GAGE**  
[76] Inventor: **Goodwin A. Lycan**, P.O. Box 23A,  
Stevensville, Mich. 49127  
[\*\*] Term: **14 Years**  
[21] Appl. No.: **918,804**  
[22] Filed: **Oct. 14, 1986**  
[52] U.S. Cl. .... **D10/70; D10/62;**  
**D10/64; D10/65**  
[58] Field of Search ..... **D10/61-62,**  
**D10/64, 65, 70, 73; 33/169 D, 471, 169 R, 174**  
**E**

2,399,579 4/1946 Smith ..... D10/65 X  
3,597,848 8/1971 Matson ..... 33/169 D  
4,060,900 12/1977 Greenwood ..... 33/471  
4,485,558 12/1984 Lycan ..... 33/169 D

*Primary Examiner*—Nelson C. Holtje  
*Attorney, Agent, or Firm*—James D. Hall; Thomas J.  
Dodd; Todd A. Dawson

## [57] CLAIM

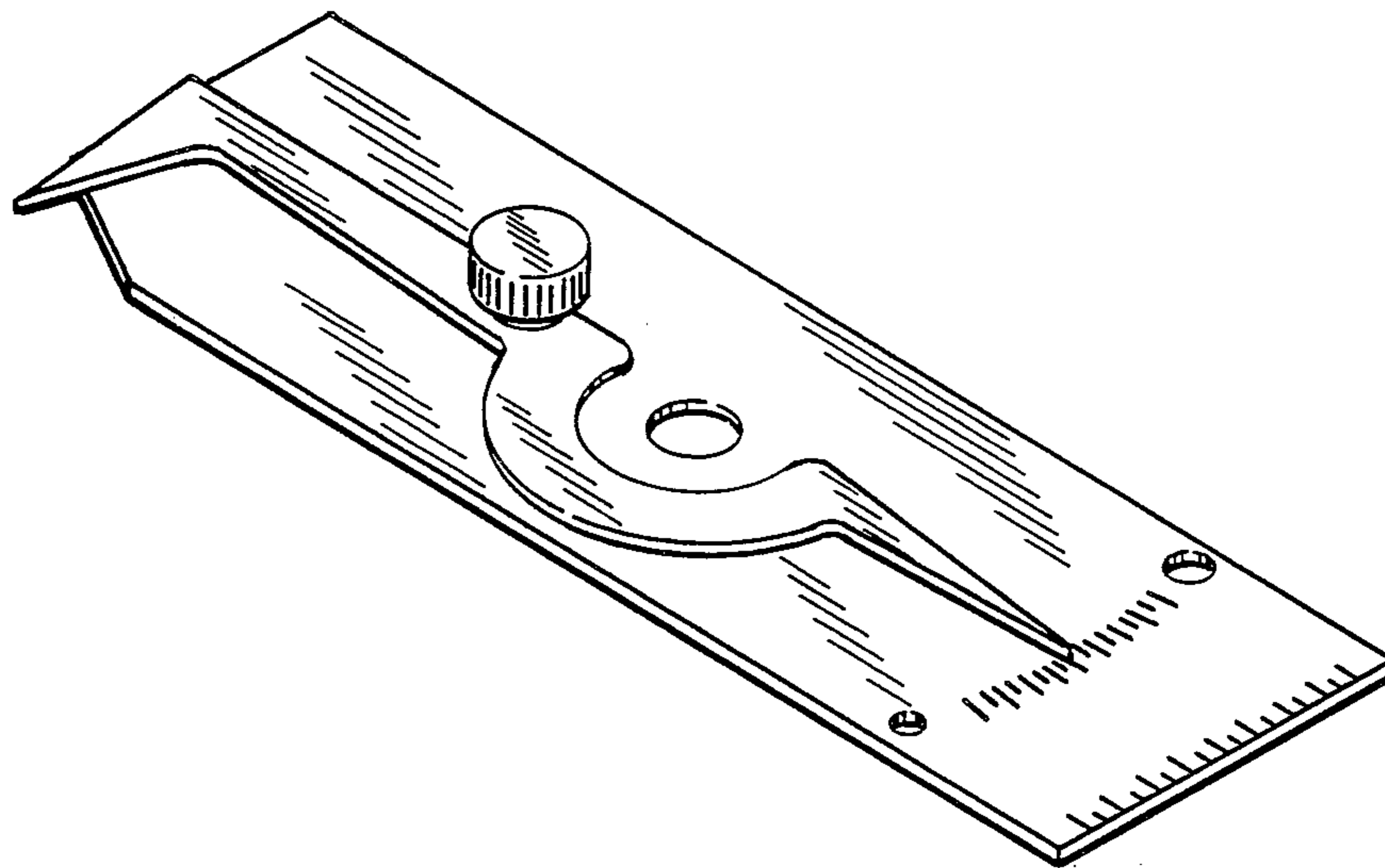
The ornamental design for a welding gage, as shown and described.

## DESCRIPTION

FIG. 1 is a left-front perspective view of a welding gage showing my new design;  
FIG. 2 is a top plan view thereof;  
FIG. 3 is a front elevational view thereof, the rear being plain and unornamented;  
FIG. 4 is a left side elevational view thereof;  
FIG. 5 is a right side elevational view thereof;  
FIG. 6 is a bottom plan view thereof.

## [56] References Cited U.S. PATENT DOCUMENTS

D. 203,604 2/1966 LoJacono ..... D10/70  
D. 266,231 9/1982 Windscheffel ..... D10/73  
D. 267,957 2/1983 Jackson ..... D10/65 X  
D. 271,185 11/1983 Dermond ..... D10/73



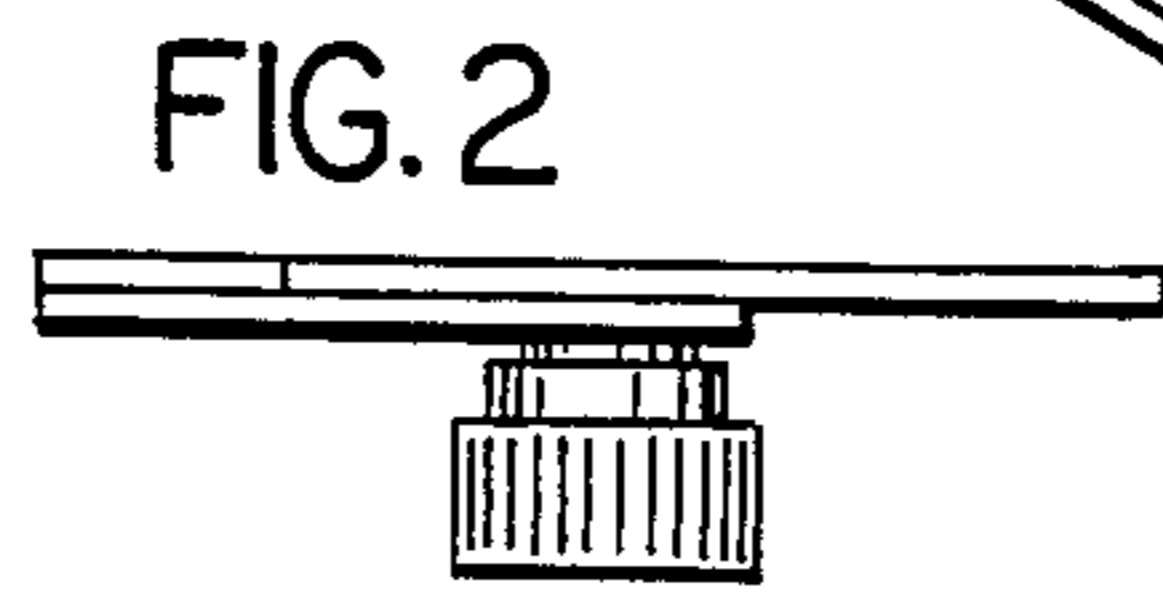
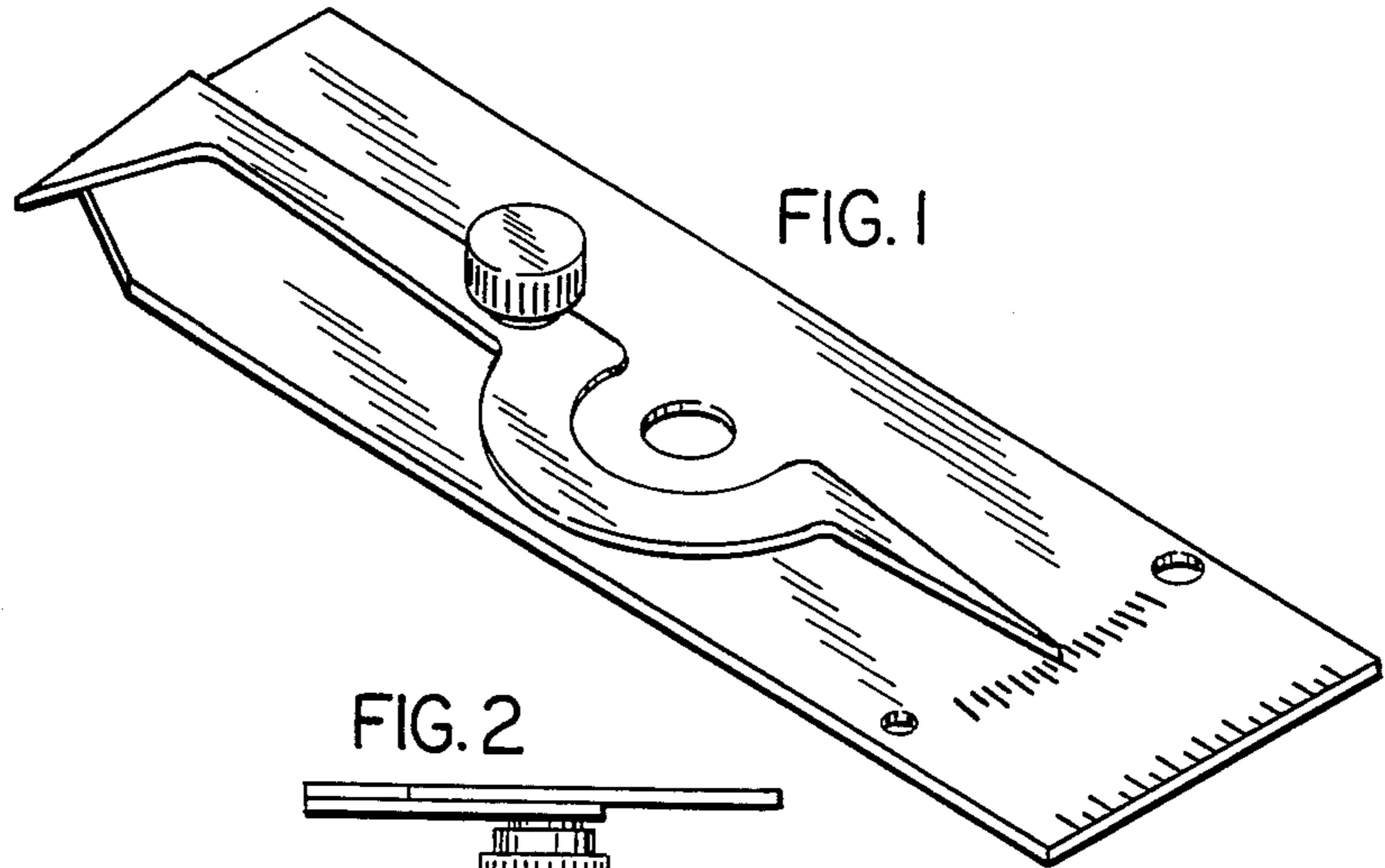


FIG. 4



FIG. 3

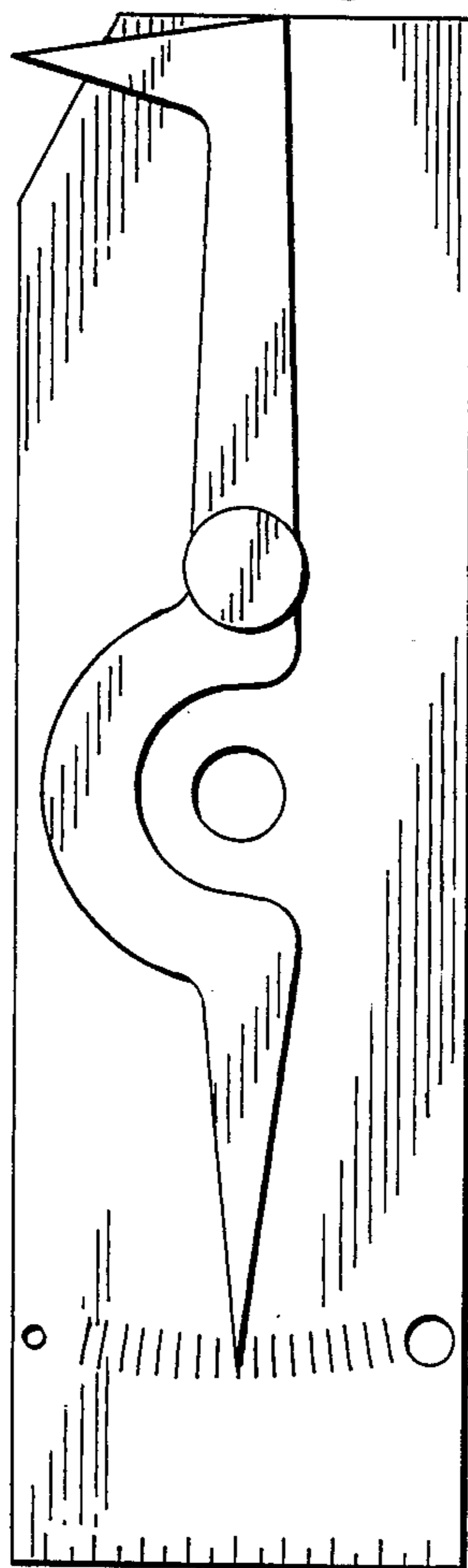


FIG. 5

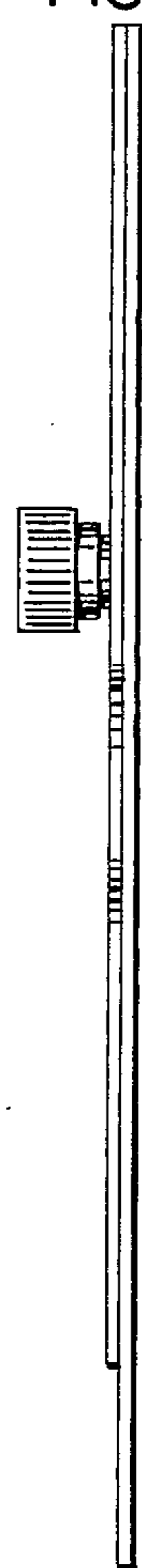


FIG. 6