

# United States Patent [19]

Pepitone

[11] Patent Number: Des. 301,842

[45] Date of Patent: \*\* Jun. 27, 1989

[54] WATER TEMPERATURE GAUGE  
[76] Inventor: Natal Pepitone, 97-23 84th St., Ozone Park, Queens, N.Y. 11416

[\*\*] Term: 14 Years

[21] Appl. No.: 925,123

[22] Filed: Oct. 30, 1986

[52] U.S. Cl. .... D10/57; D10/102

[58] Field of Search ..... D10/57, 60, 102;  
374/141, 146, 147, 148, 208; 116/207, 216-217,  
221

[56] **References Cited**

**U.S. PATENT DOCUMENTS**

D. 199,083	9/1964	Naylor .....	D10/57
D. 205,338	7/1966	Kilbourn .....	D10/102 X
2,609,690	9/1952	Osborne .....	D10/57 X
2,626,524	1/1953	Harman .....	374/148
2,645,116	7/1953	Baxter .....	374/148

3,635,086	1/1972	Beruck .....	374/148
4,030,360	6/1977	Fortune .....	374/147
4,325,254	4/1982	Svacina .....	374/141 X
4,509,550	4/1985	Monk .....	374/148 X

Primary Examiner—Nelson C. Holtje

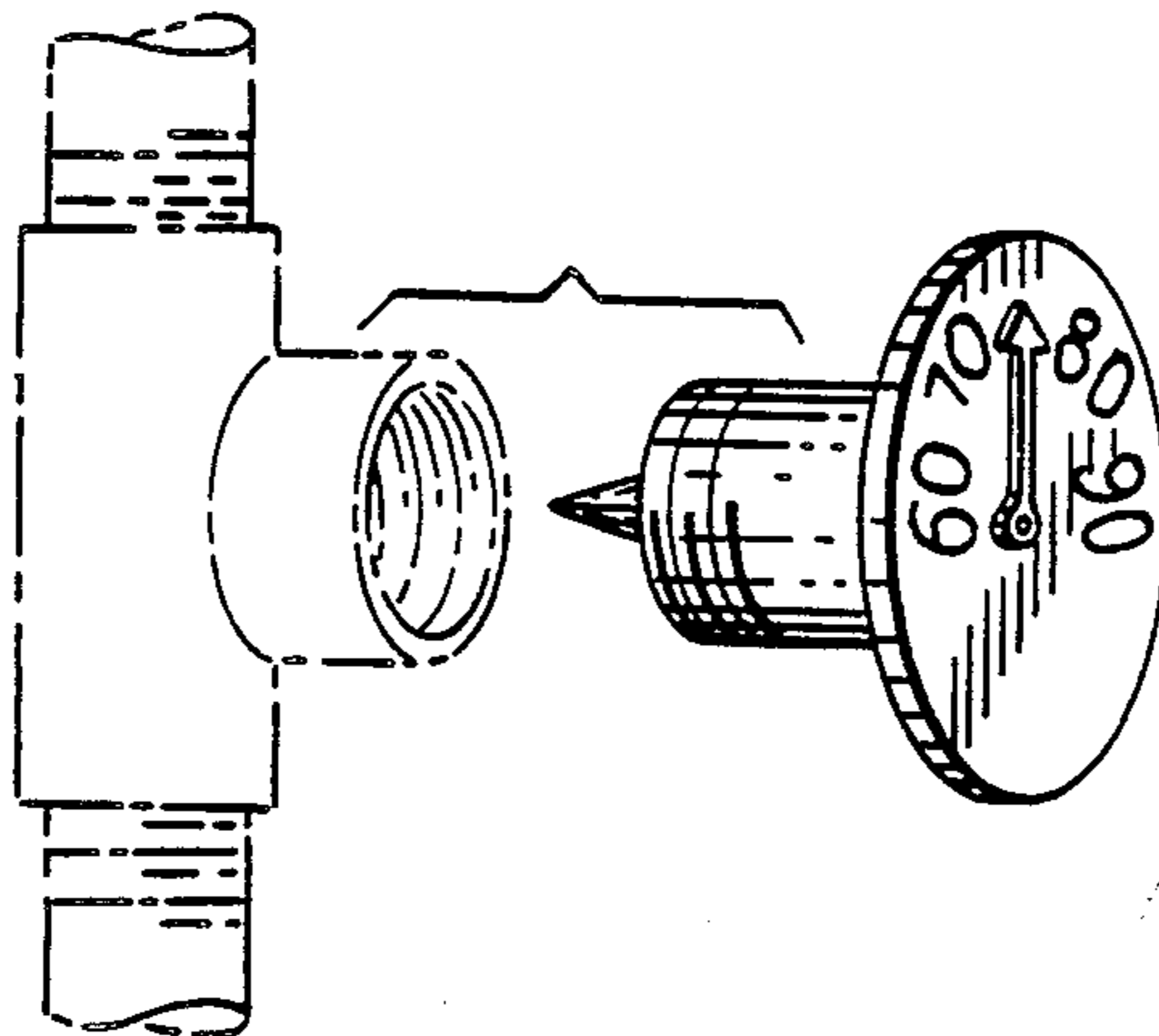
[57] **CLAIM**

The ornamental design for a water temperature gauge, as shown and described.

**DESCRIPTION**

FIG. 1 is a left, front perspective view of a water temperature gauge showing my new design; FIG. 2 is a right side elevational view thereof; FIG. 3 is a rear elevational view thereof; FIG. 4 is a front elevational view thereof on a reduced scale.

The broken-line showings of water pipes and shower system are environmental only and form no part of the claimed design.



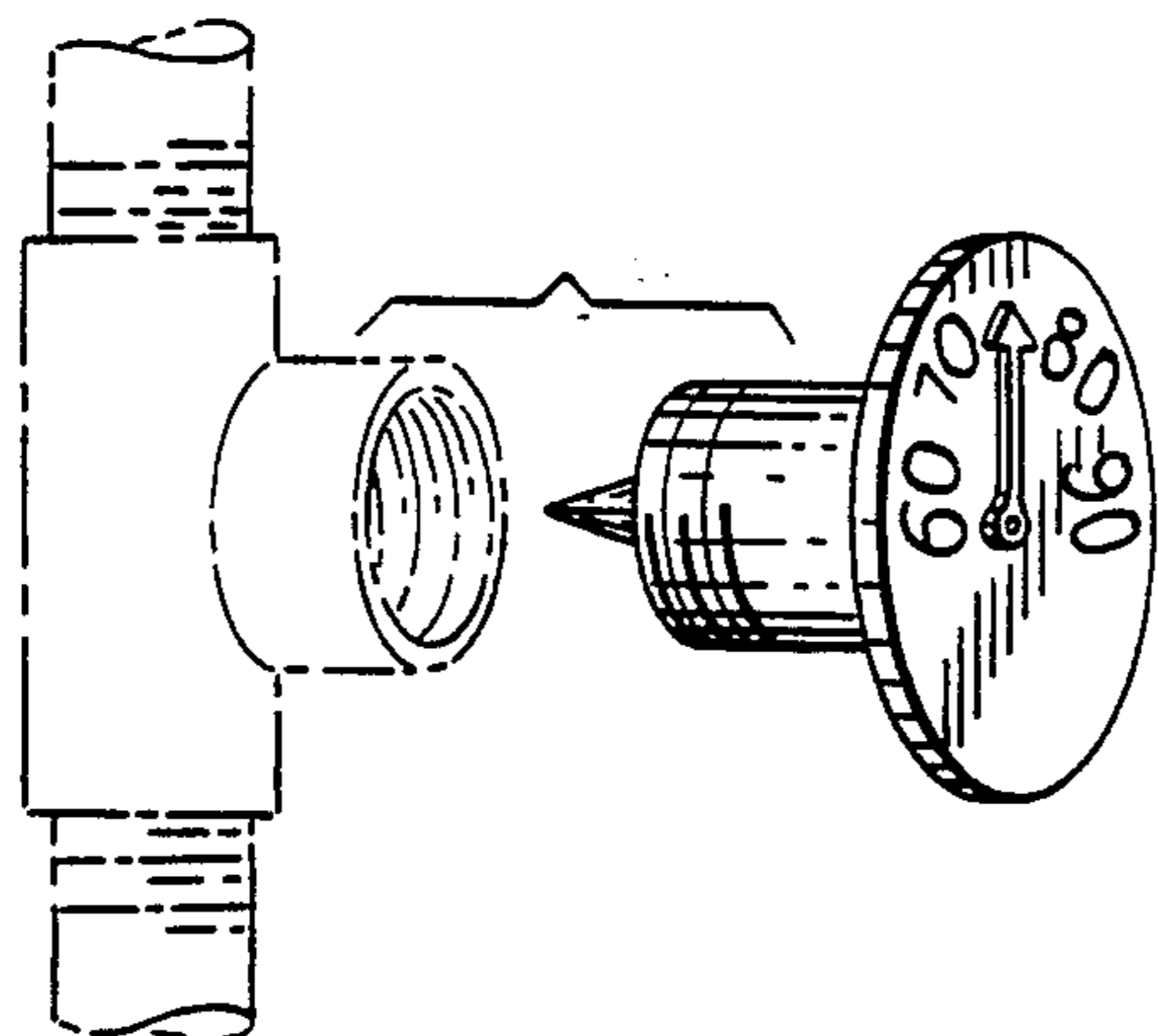


FIG. 1

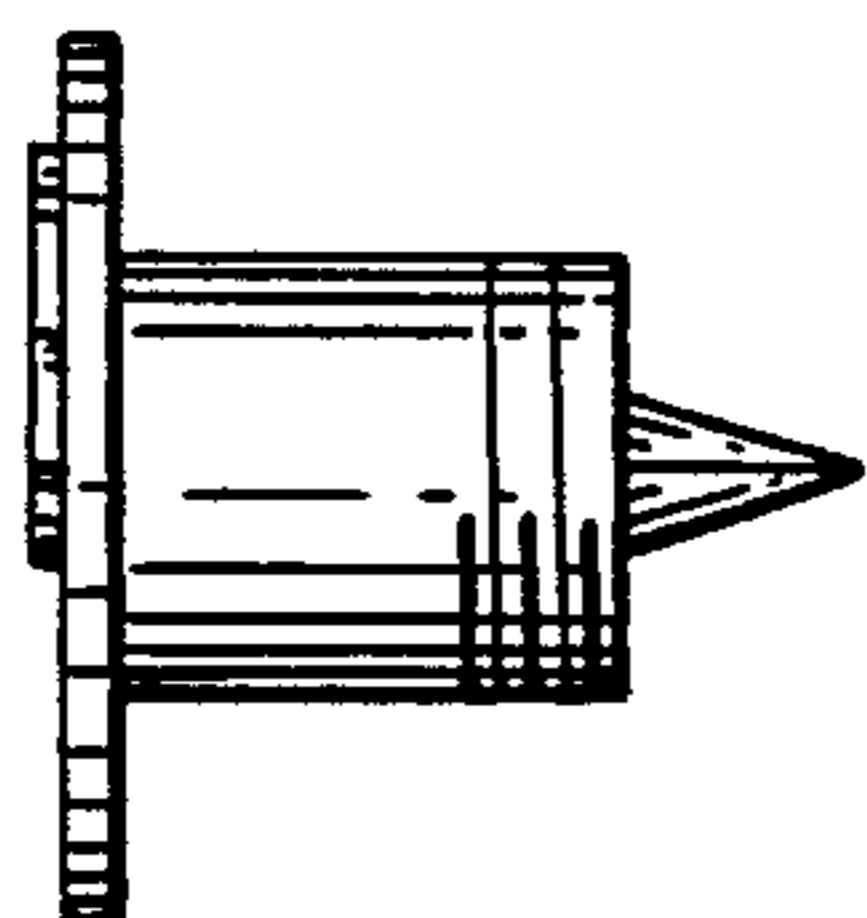


FIG. 2

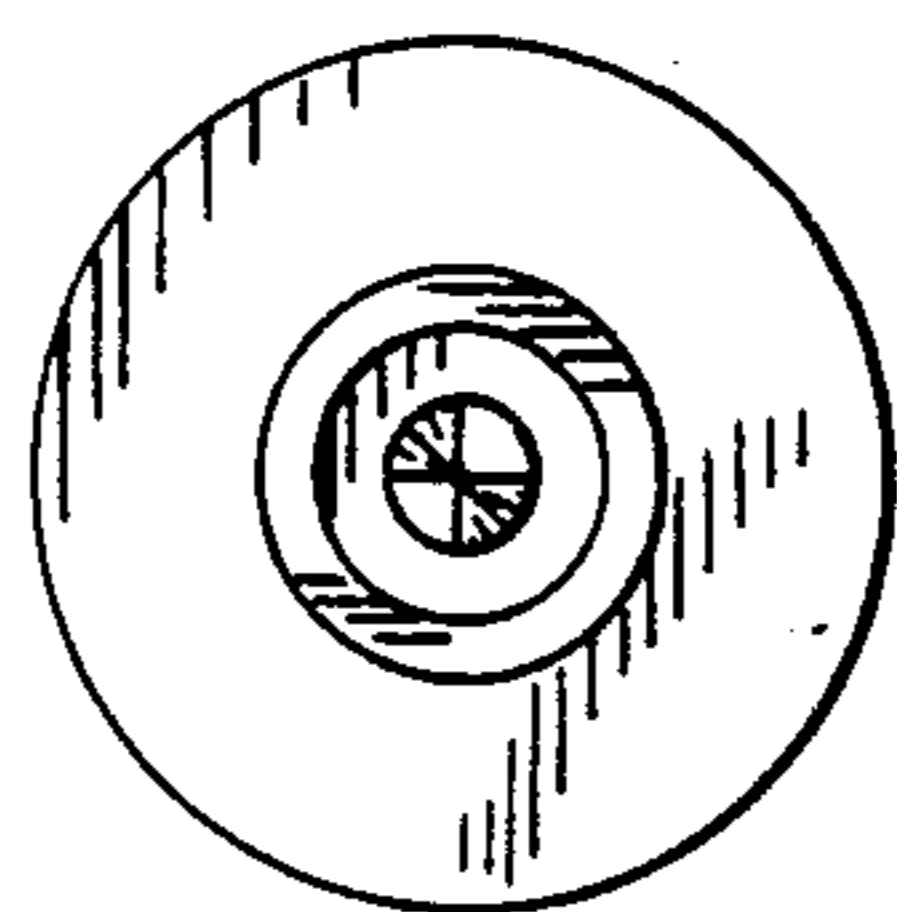


FIG. 3

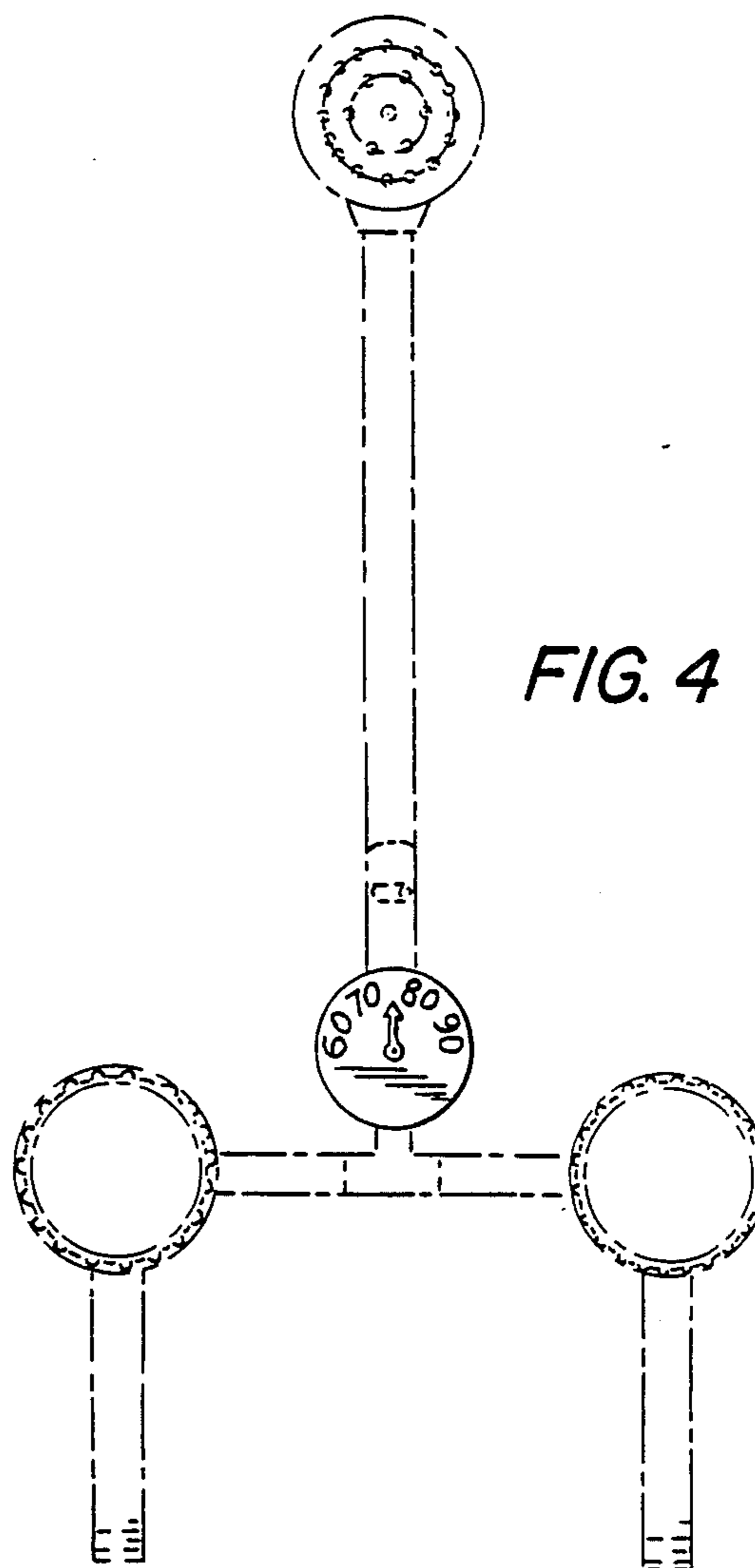


FIG. 4