

[54] **SPEED COMPUTING WRISTWATCH**

[75] **Inventor: John T. Houlihan, Watertown, Conn.**

[73] **Assignee: Timex Corporation, Waterbury, Conn.**

[**] **Term: 14 Years**

[21] **Appl. No.: 911,684**

[22] **Filed: Sep. 25, 1986**

[52] **U.S. Cl. D10/30; D10/31;
D10/32; D10/38**

[58] **Field of Search D10/30-39,
D10/122-126, 98; 368/10, 11, 82-84, 239-242,
276-277, 280-282, 285**

[56] **References Cited**

U.S. PATENT DOCUMENTS

D. 278,687	5/1985	Giugiaro	D10/30 X
D. 278,688	5/1985	Giugiaro	D10/30 X
D. 295,841	5/1988	Kano	D10/39
4,668,100	5/1987	Murakami	368/10

OTHER PUBLICATIONS

*Form-8/11/76-p. 42-Watches at bottom.
European Jeweler-7/84-p. 67-Watch at top.*

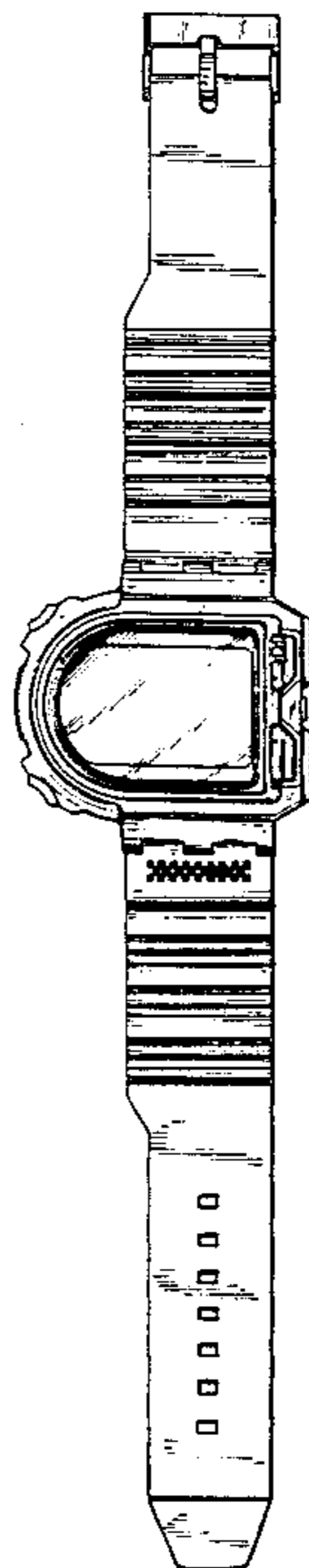
*Primary Examiner—Nelson C. Holtje
Attorney, Agent, or Firm—William C. Crutcher*

[57] **CLAIM**

The ornamental design for a speed computing wrist-watch, as shown and described.

DESCRIPTION

FIG. 1 is a top plan view of a speed computing wrist-watch showing my new design;
FIG. 2 is a left side elevational view thereof;
FIG. 3 is a right side elevational view thereof;
FIG. 4 is a rear elevational view thereof;
FIG. 5 is a front elevational view thereof;
FIG. 6 is a bottom plan view thereof;
FIG. 7 is a top plan view thereof on an enlarged scale with the straps omitted for ease of illustration;
FIG. 8 is a left side elevational view of FIG. 7;
FIG. 9 is a right side elevational view of FIG. 7;
FIG. 10 is a front elevational view of FIG. 7;
FIG. 11 is a bottom plan view of FIG. 7.



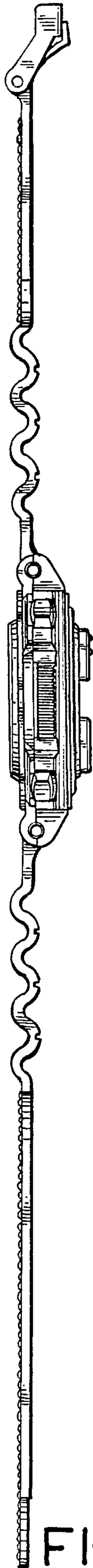


FIG. 2

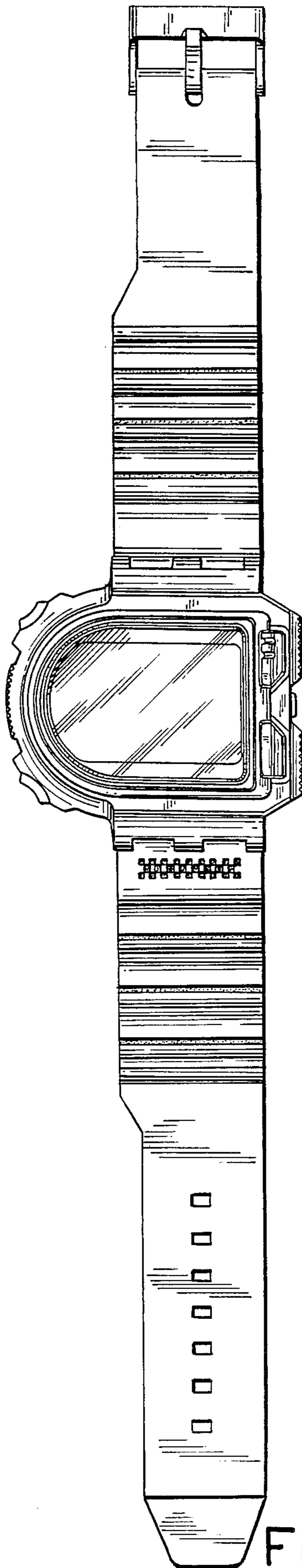


FIG. 1

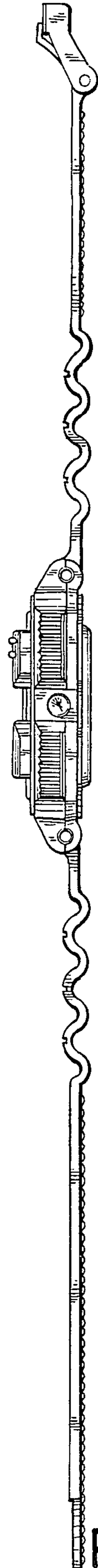


FIG. 3

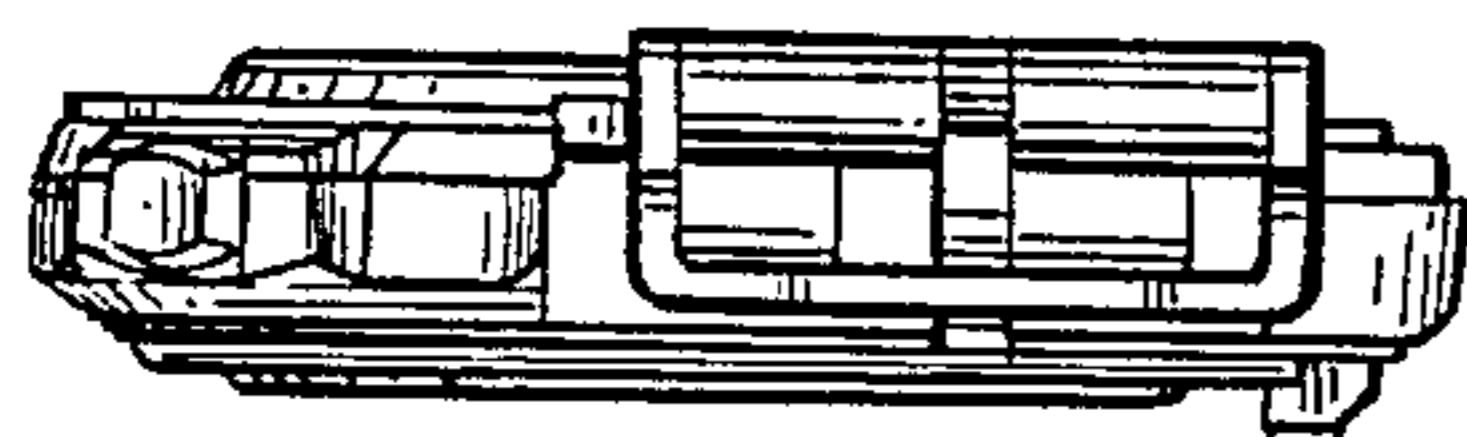


FIG. 4



FIG. 5

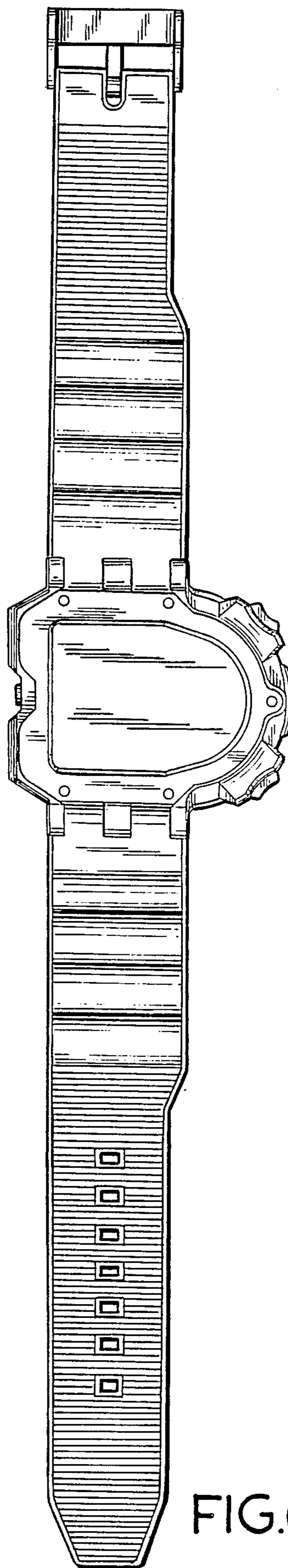


FIG. 6

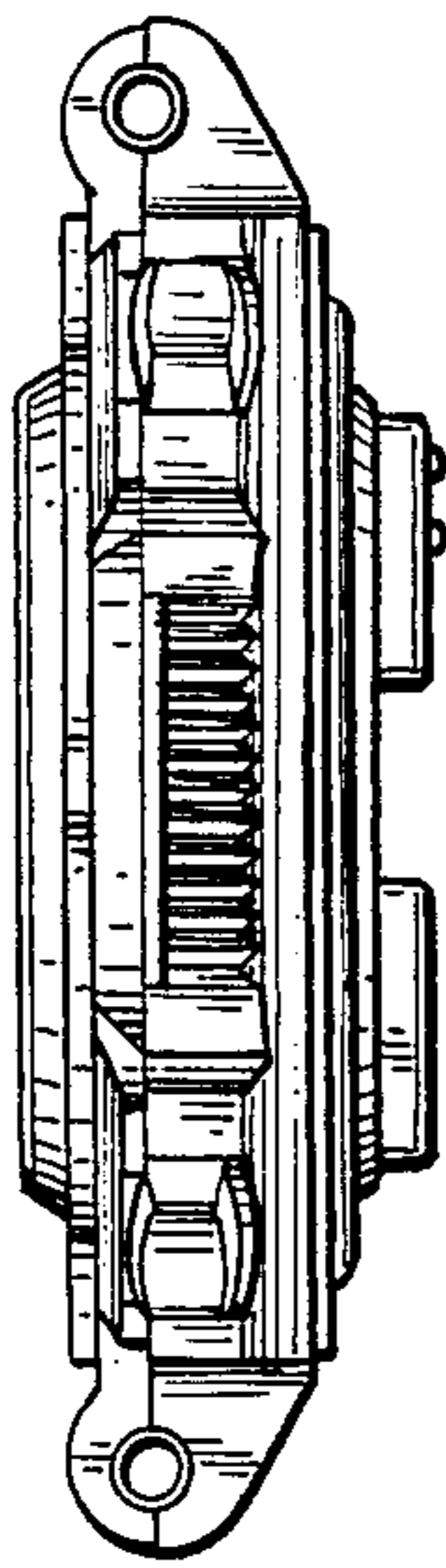


FIG. 8

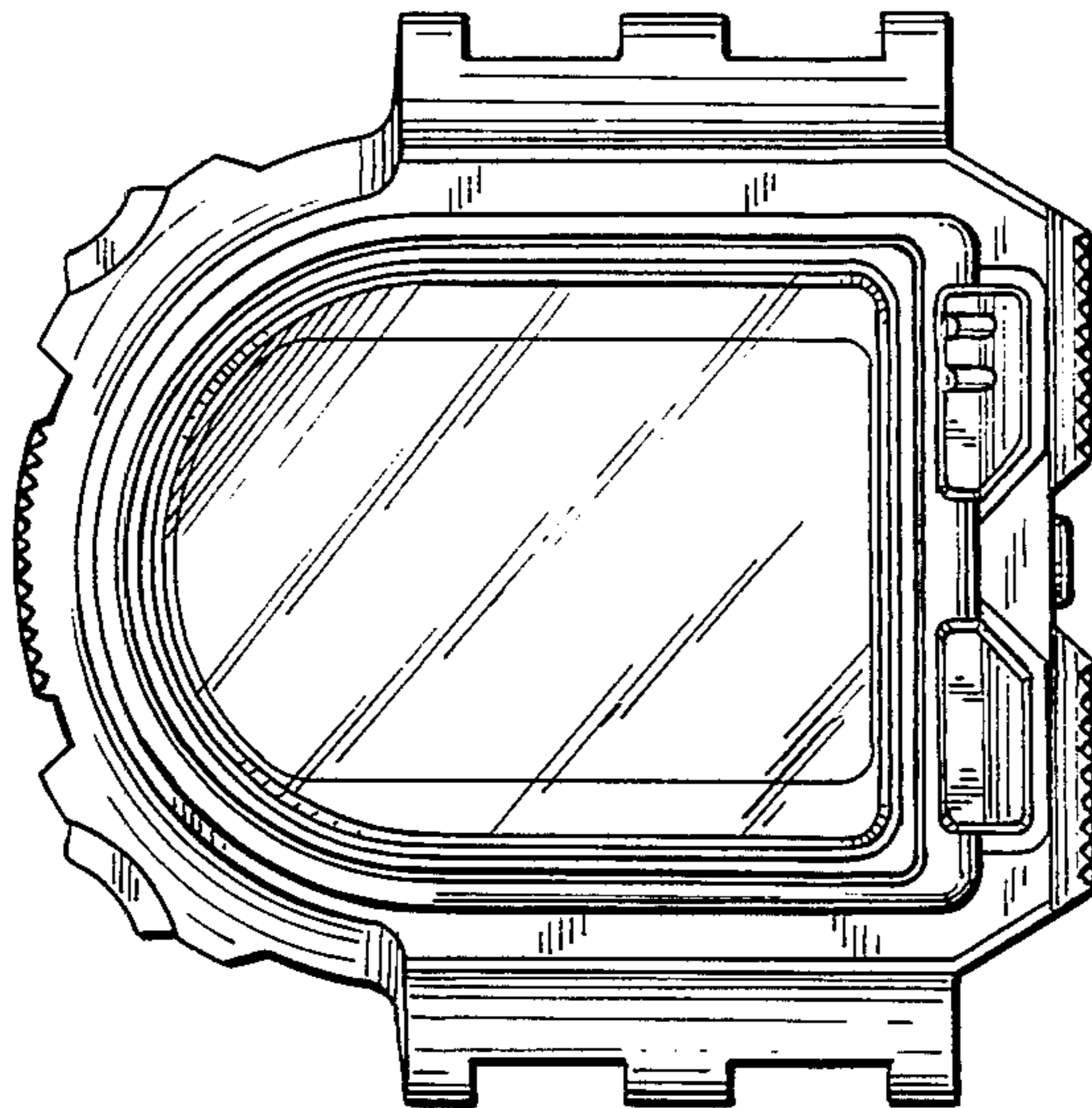


FIG. 7

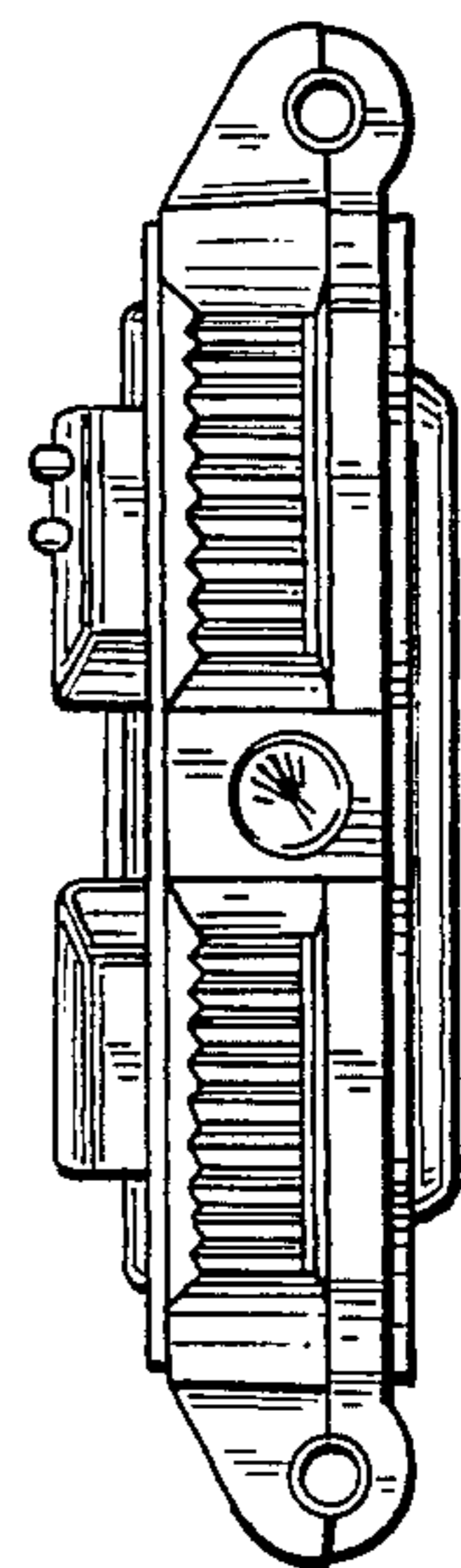


FIG. 9

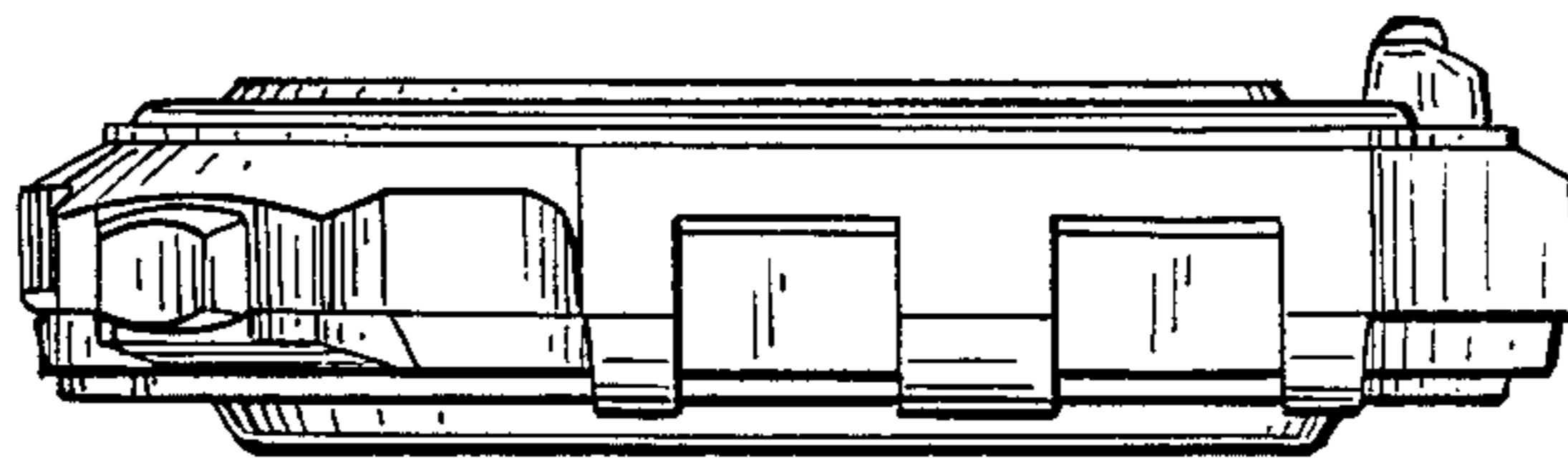


FIG. 10

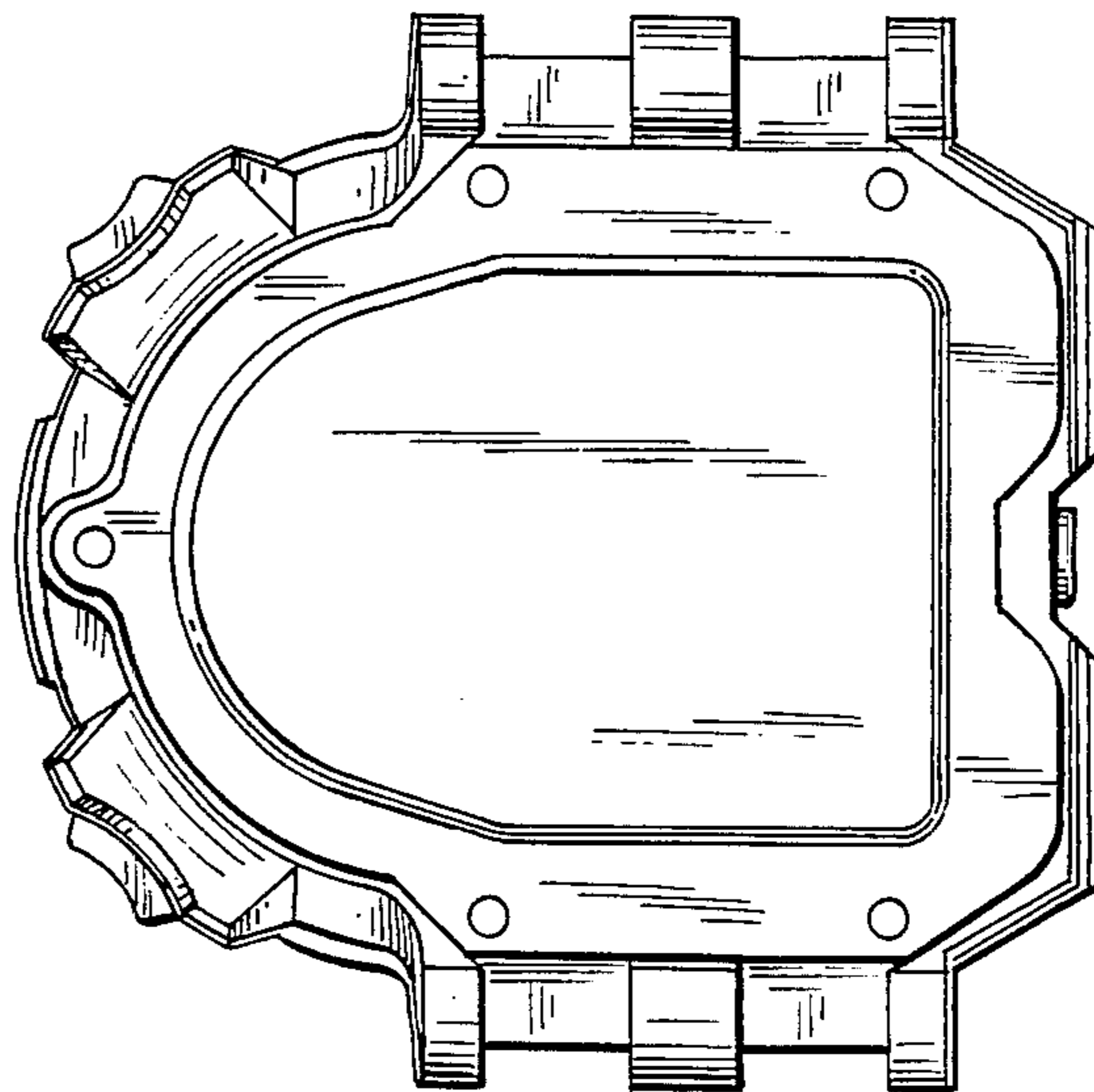


FIG. 11