

[54] MOUNTING BRACKET FOR ROD OR SIMILAR ARTICLE

[76] Inventor: Robert J. Hoover, Rte. 7 Box 352A, Spartanburg, S.C. 29303

[**] Term: 14 Years

[21] Appl. No.: 856,131

[22] Filed: Apr. 21, 1986

[52] U.S. Cl. D8/354; D22/147; D12/317

[58] Field of Search D8/354, 349, 373; D12/317; D22/147; 248/534, 539, 536

[56] References Cited

U.S. PATENT DOCUMENTS

D. 187,651	4/1960	Hiering	D22/147
D. 187,867	5/1960	Boldosser	D22/147
D. 208,289	8/1967	Feurer	D22/147
D. 249,458	9/1978	Olsen	D12/317
D. 261,698	11/1981	Humble	D22/147
D. 270,516	9/1983	Achille	D8/354
2,398,748	4/1946	Large et al.	248/539
2,690,318	9/1954	Kusiv	248/539
2,946,546	7/1960	Pokorny et al.	248/40
3,357,663	12/1967	Ivy	248/534 X

3,358,952 12/1967 Burns 248/534

FOREIGN PATENT DOCUMENTS

611216 6/1976 France 248/534

OTHER PUBLICATIONS

DeW. H. Plastics Brochure: Fishing & Marine Accessories; p. 4, Rod Holders Cat Nos. 5100:5110.

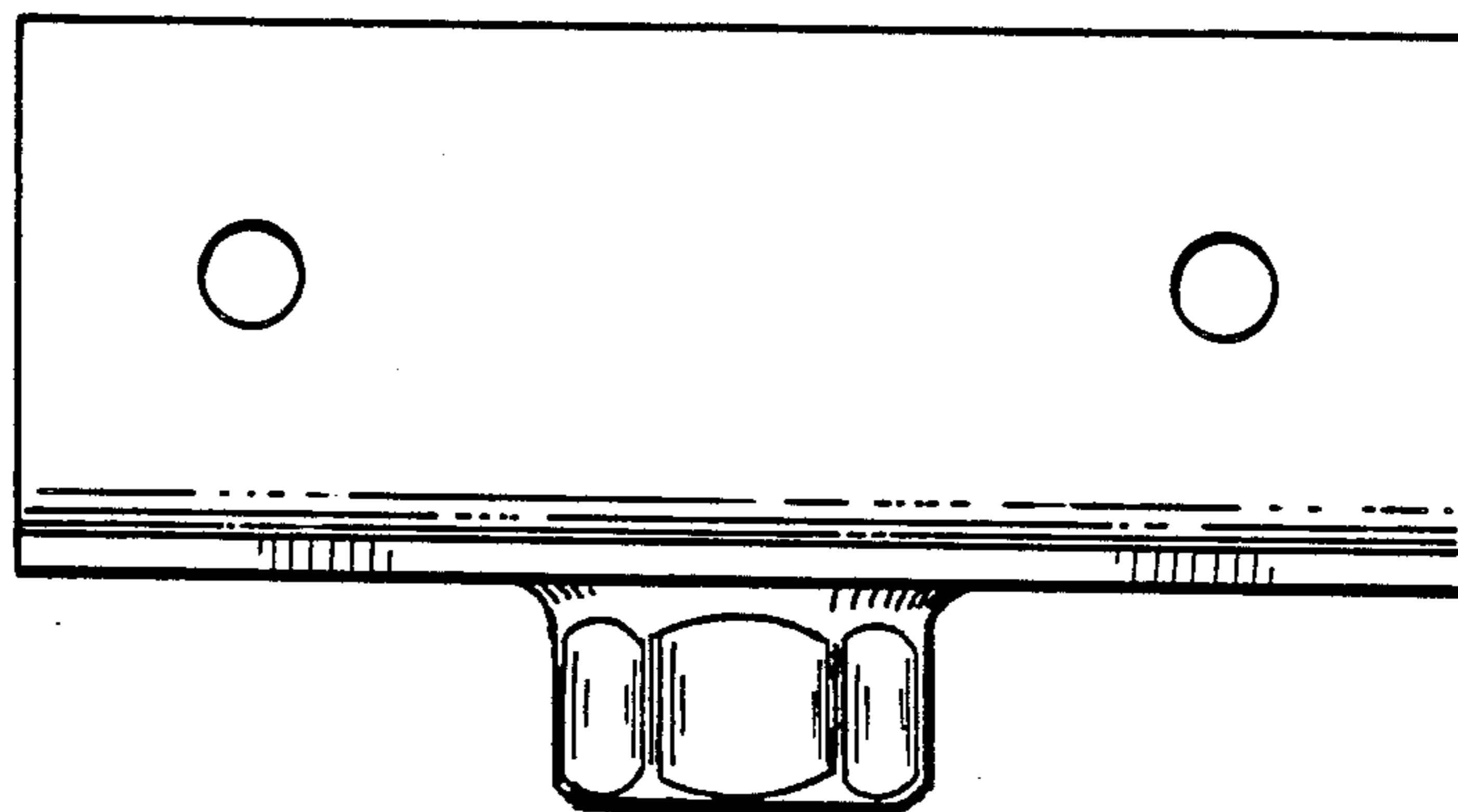
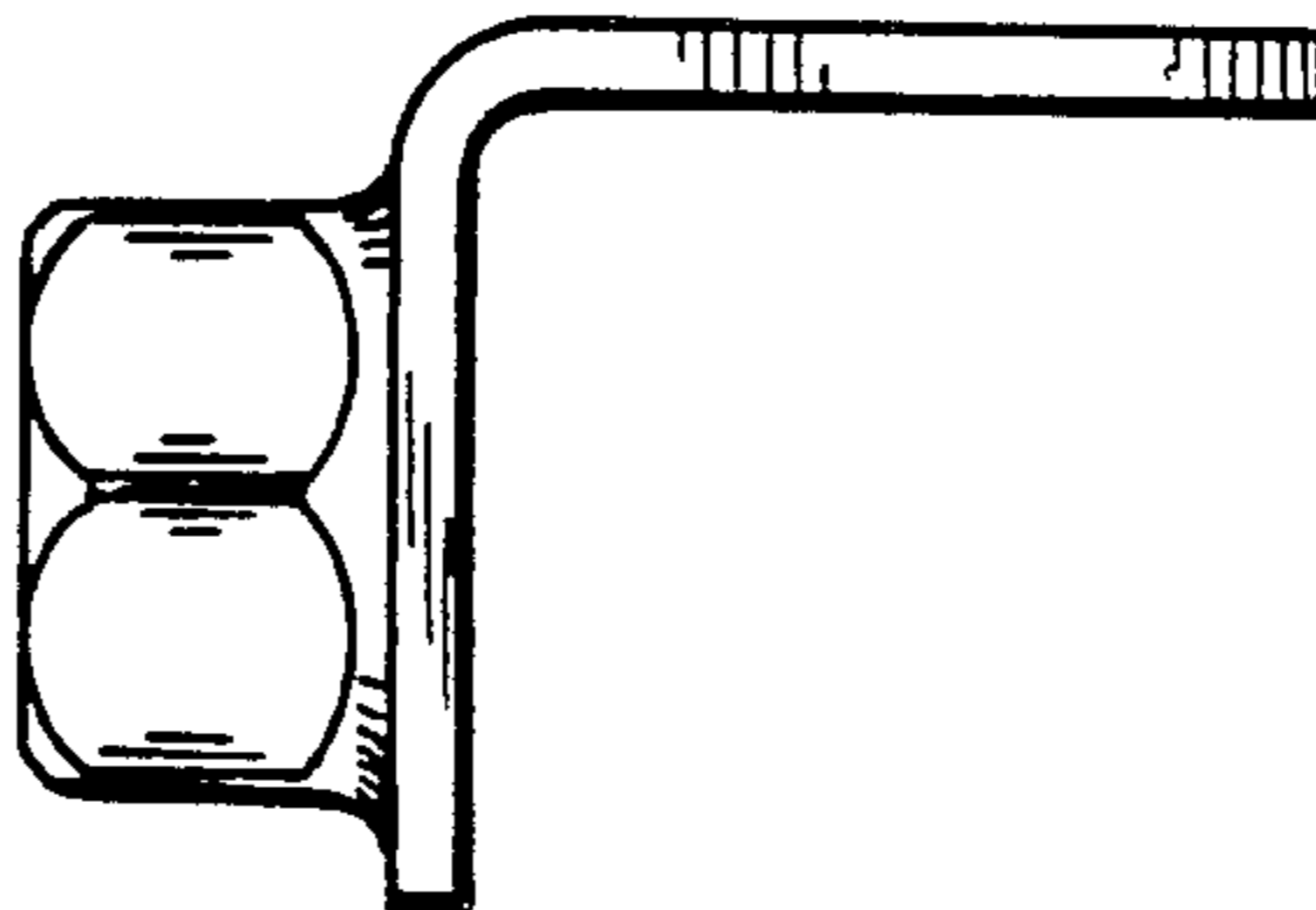
Primary Examiner—Horace B. Fay, Jr.
Attorney, Agent, or Firm—Dority & Manning

[57] CLAIM

The ornamental design for a mounting bracket for rod or similar article, substantially as shown and described.

DESCRIPTION

FIG. 1 is a top plan view of a mounting bracket for rod or similar article showing my new design;
FIG. 2 is a side elevational view thereof;
FIG. 3 is a bottom plan view thereof;
FIG. 4 is a side elevational view opposite to that shown in FIG. 2;
FIG. 5 is a side elevational view taken from above FIG. 1; and
FIG. 6 is a side elevational view taken from below FIG. 4.



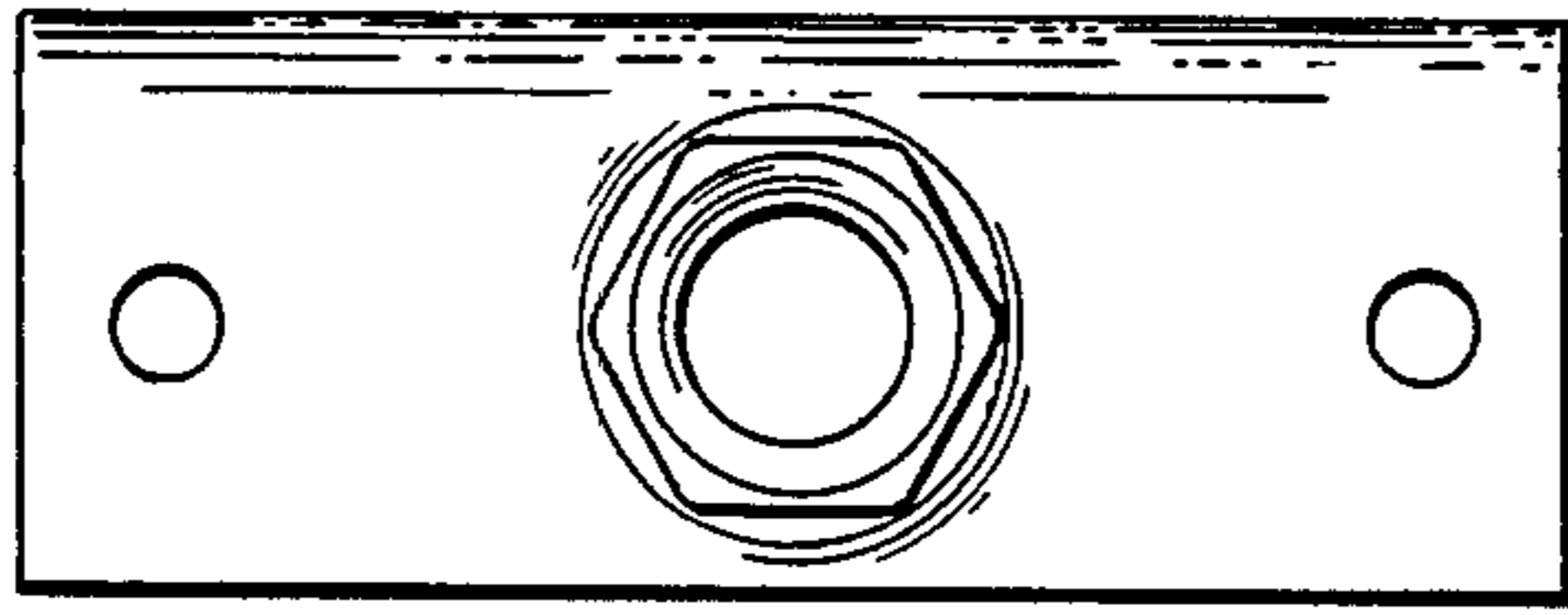


Fig. 1

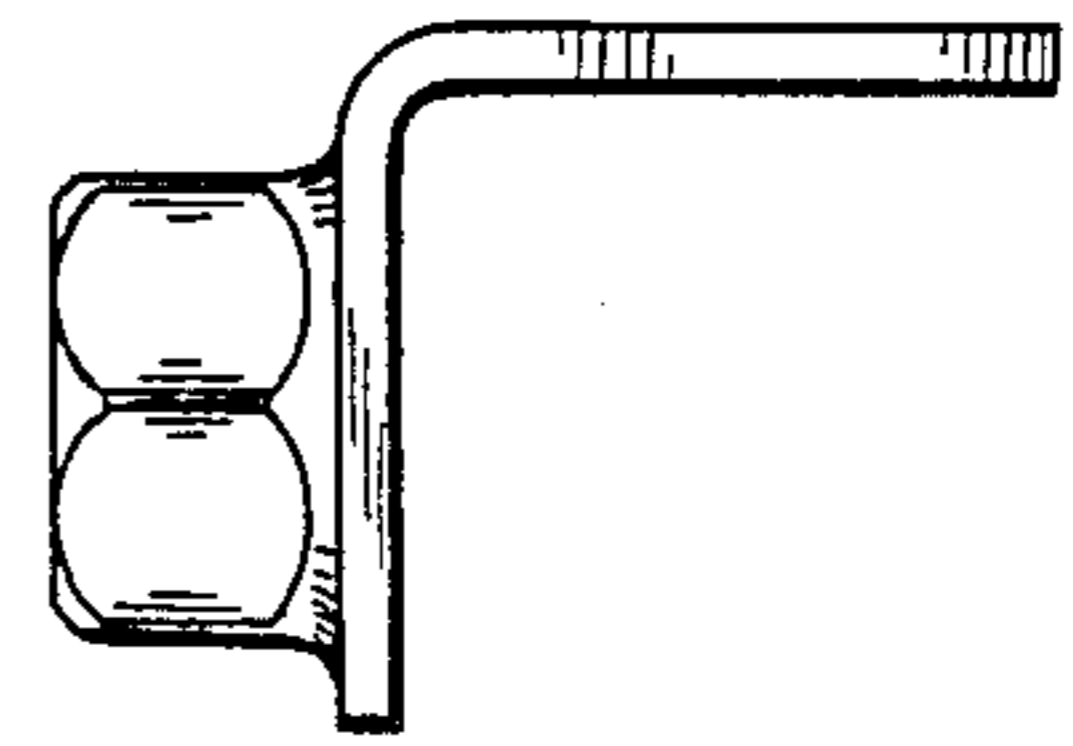


Fig. 2

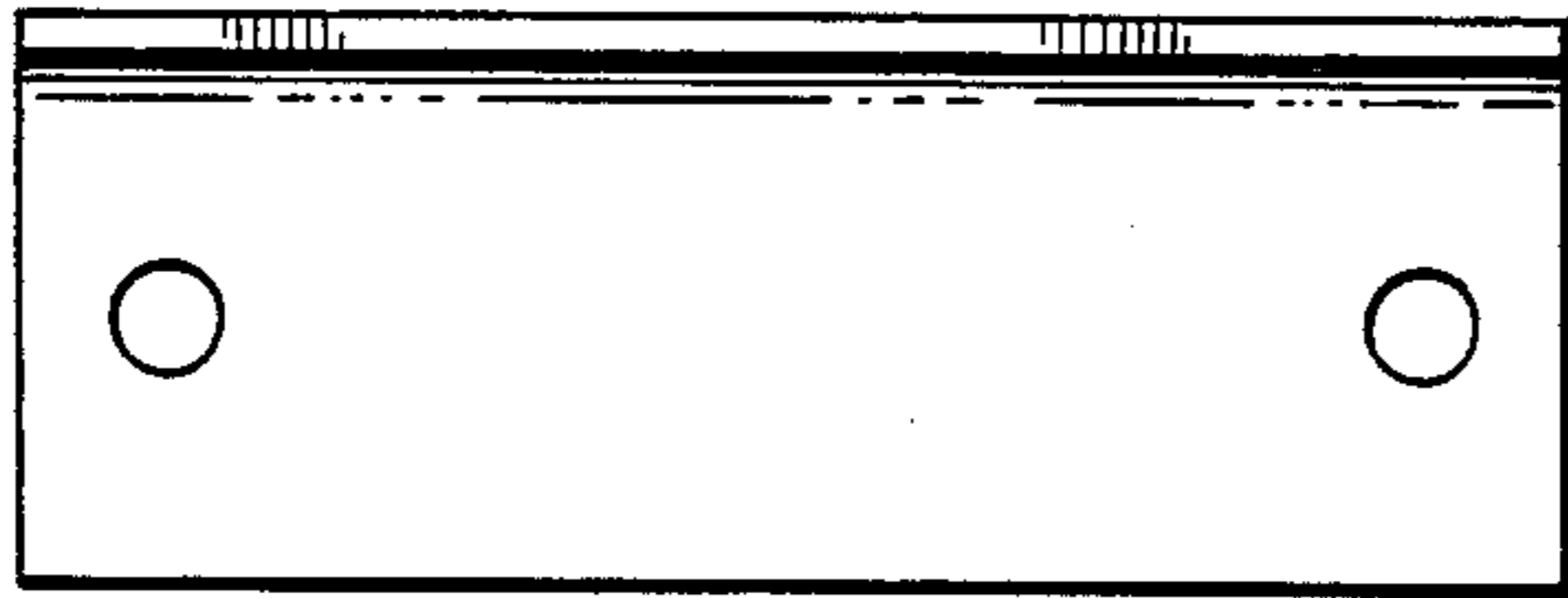


Fig. 3

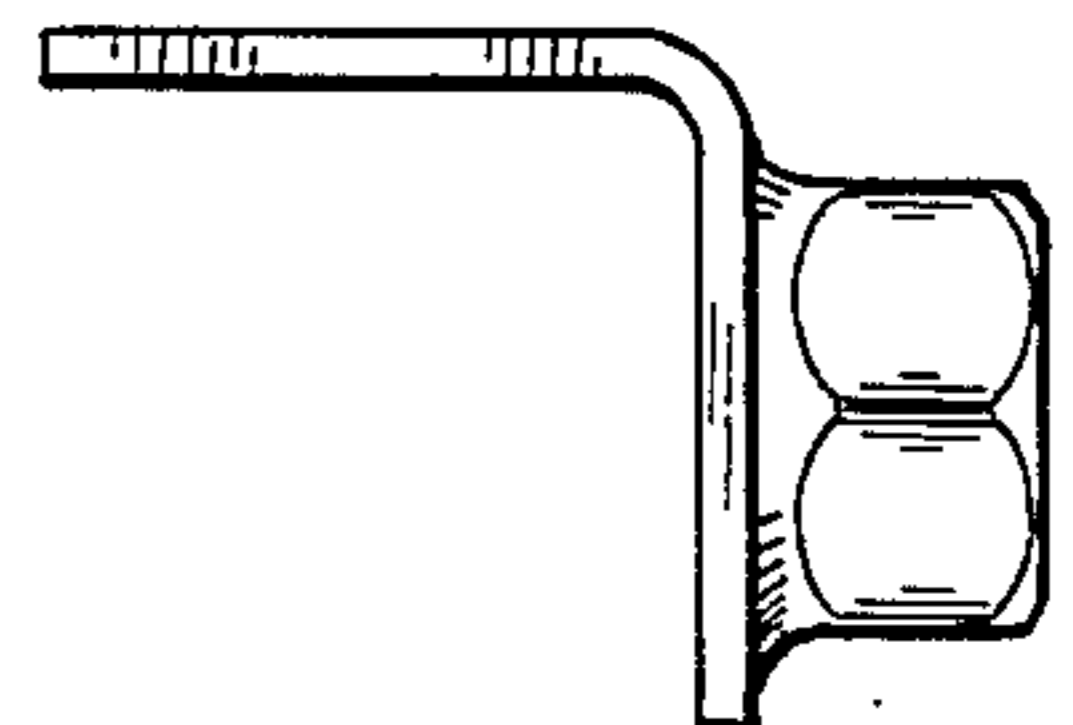


Fig. 4

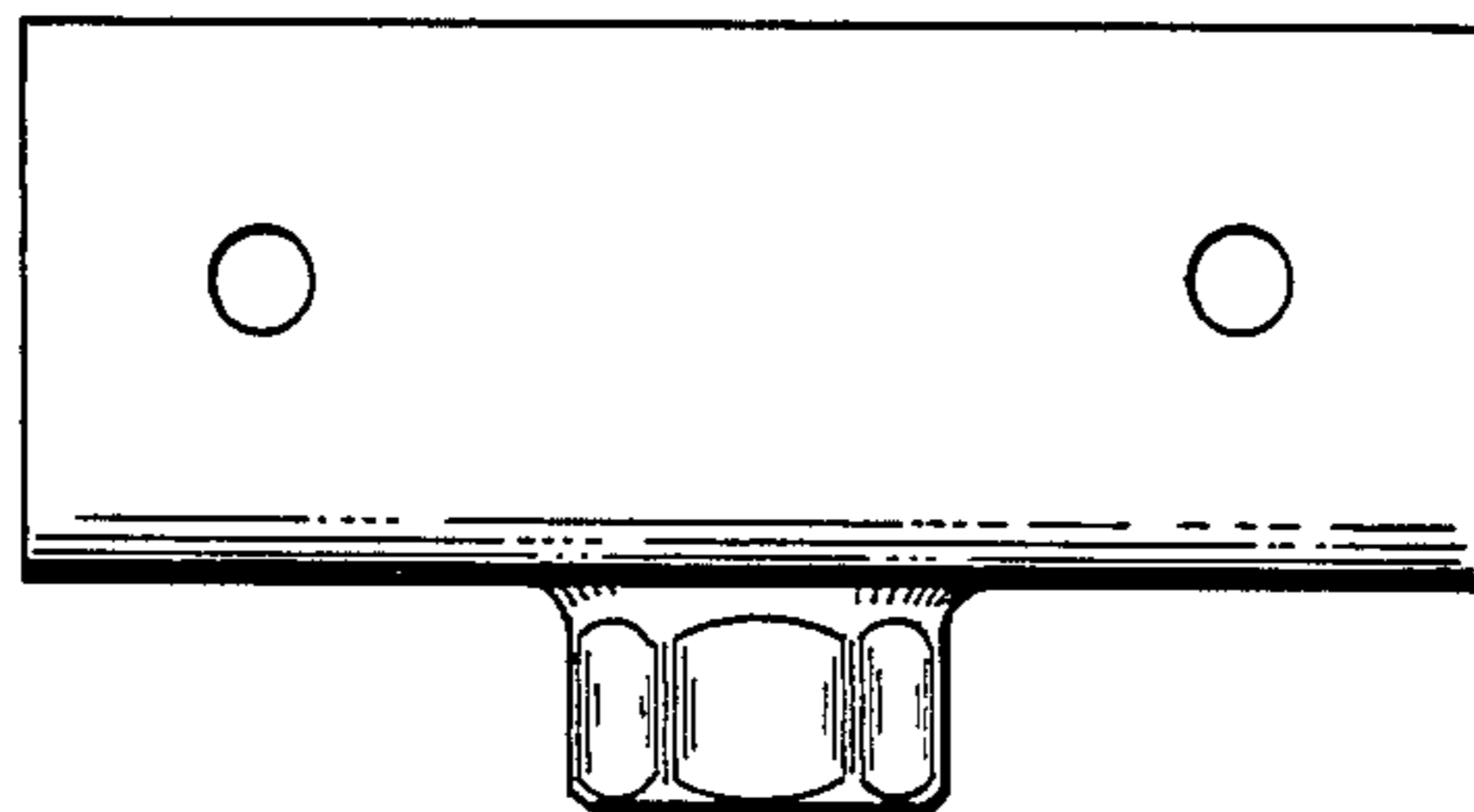


Fig. 5

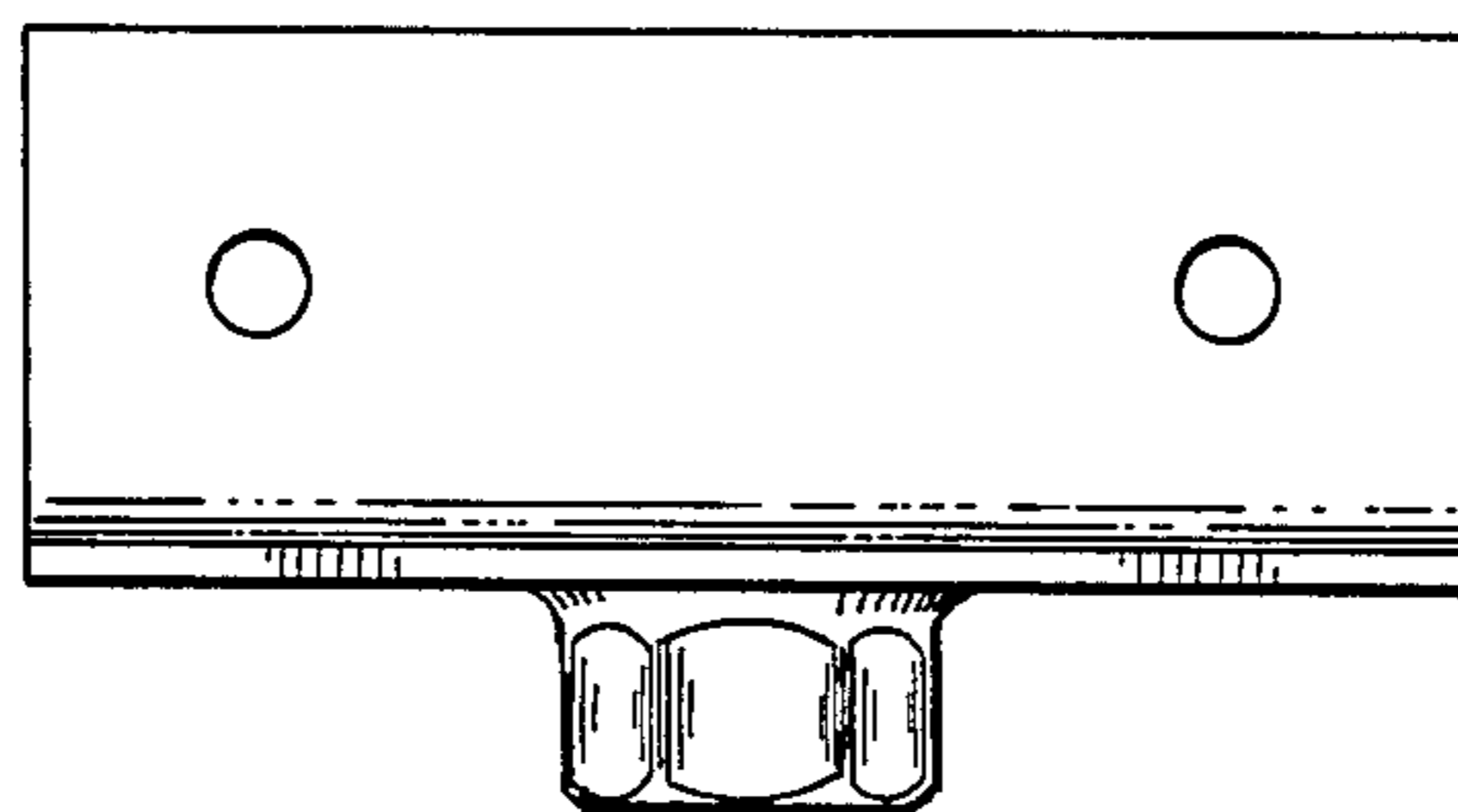


Fig. 6