

[54] ELECTRIC GRINDER

[75] Inventors: Yasunori Ogawa; Juro Kobayashi, both of Ibaragi, Japan

[73] Assignee: Hitachi Koki Co., Ltd., Tokyo, Japan

[\*\*] Term: 14 Years

[21] Appl. No.: 13,804

[22] Filed: Feb. 12, 1987

[52] U.S. Cl. .... D8/62

[58] Field of Search ..... D8/61-70; 81/57.11, 57.13, 57.14; 51/170 R, 170 PT, 170 T, 170 MT

[56] References Cited

U.S. PATENT DOCUMENTS

- D. 255,417 6/1980 Sakamoto et al. .... D8/62
- D. 295,824 5/1988 Hoshino et al. .... D8/62
- 4,735,020 4/1988 Schulz et al. .... 51/170 R

OTHER PUBLICATIONS

Makita catalog No. MA-12KC-1 ©1976, pp. 4-5, Hand Grinder Model 9501.

Metabo Power Tools brochure, Model AG705 Angle Grinder.

Primary Examiner—Bruce W. Dunkins

Assistant Examiner—Clare E. Heflin

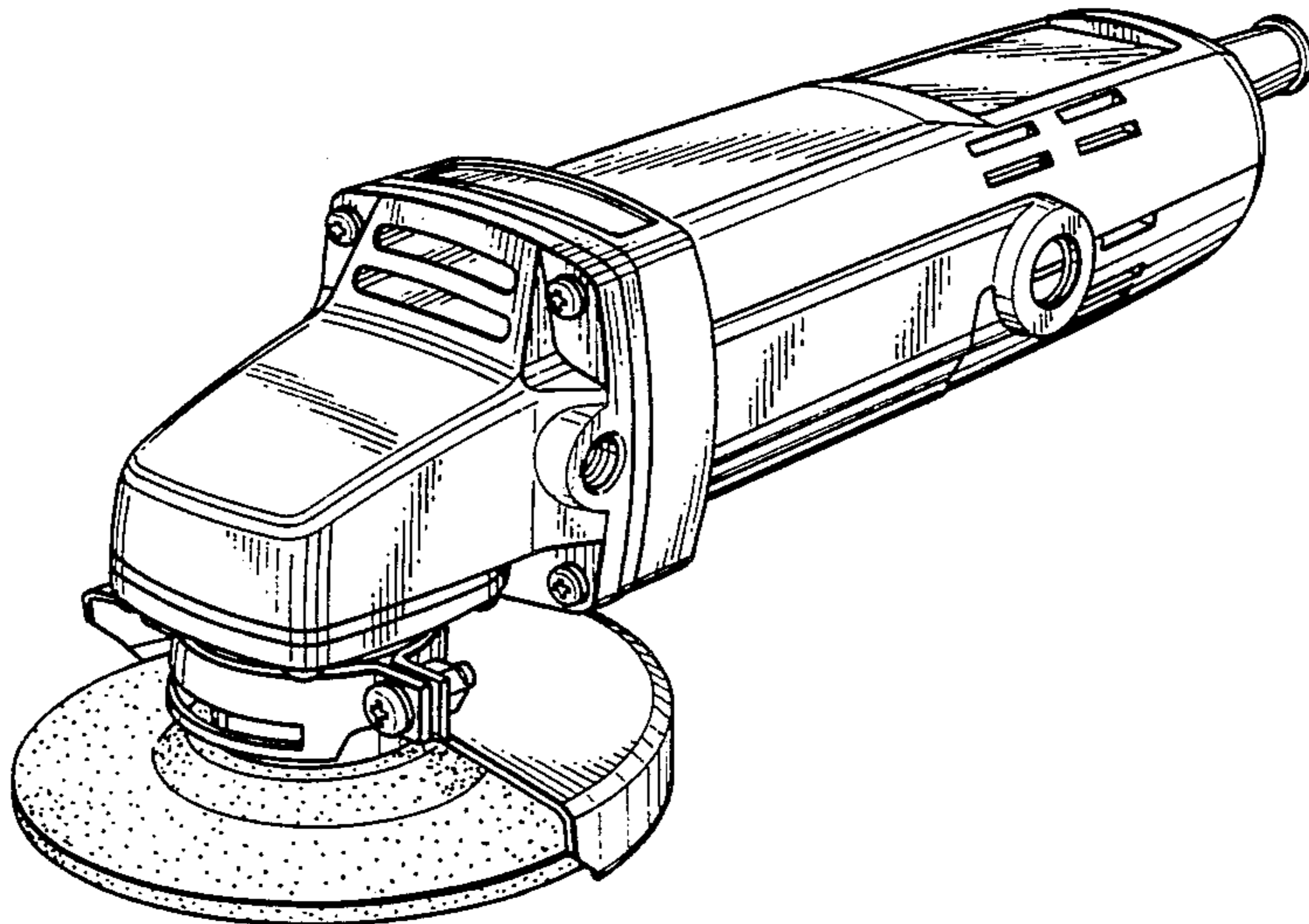
Attorney, Agent, or Firm—Sughrue, Mion, Zinn, Macpeak & Seas

[57] CLAIM

The ornamental design for an electric grinder, as shown and described.

DESCRIPTION

FIG. 1 is a perspective view of an electric grinder showing the top front and one side of our new design; FIG. 2 is a side elevational view thereof; FIG. 3 is an opposite side elevational view thereof; FIG. 4 is a top plan view thereof; FIG. 5 is a bottom plan view thereof; FIG. 6 is a front elevational view thereof; FIG. 7 is a rear elevational view thereof.



*Fig. 1*

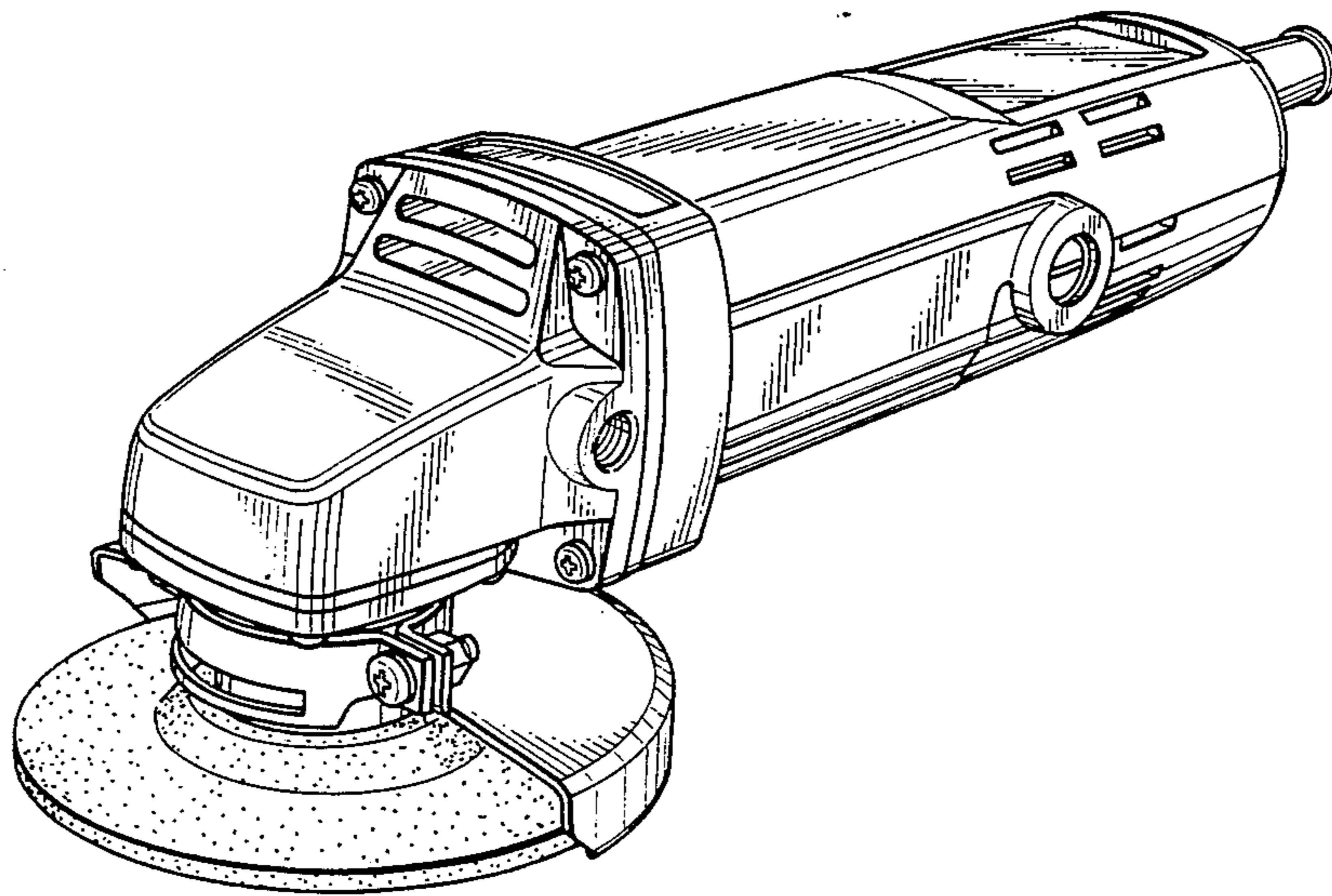


Fig. 2

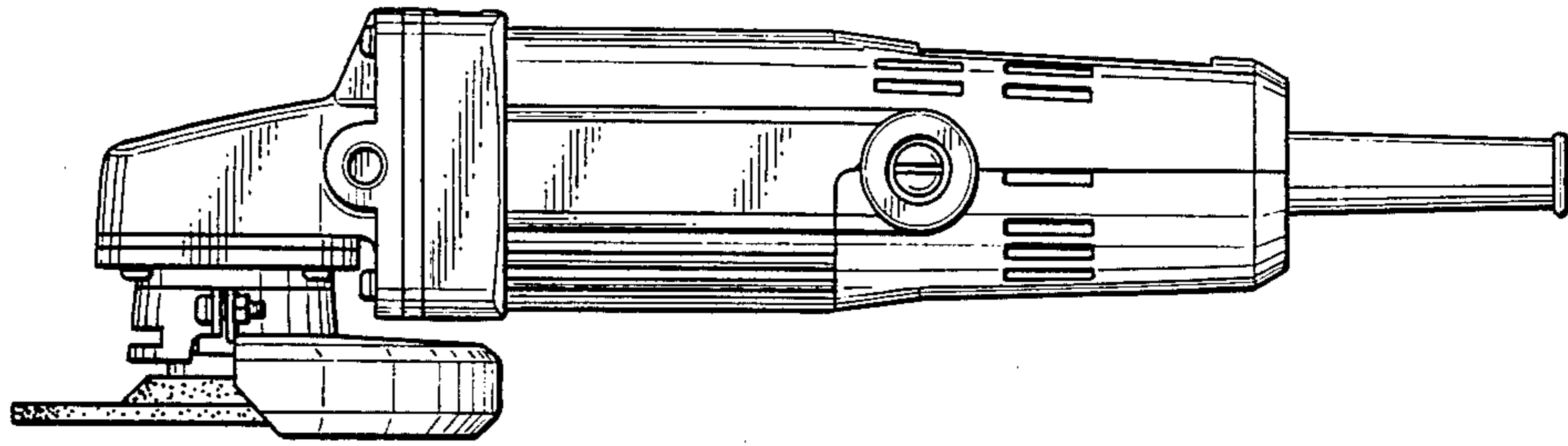


Fig. 3

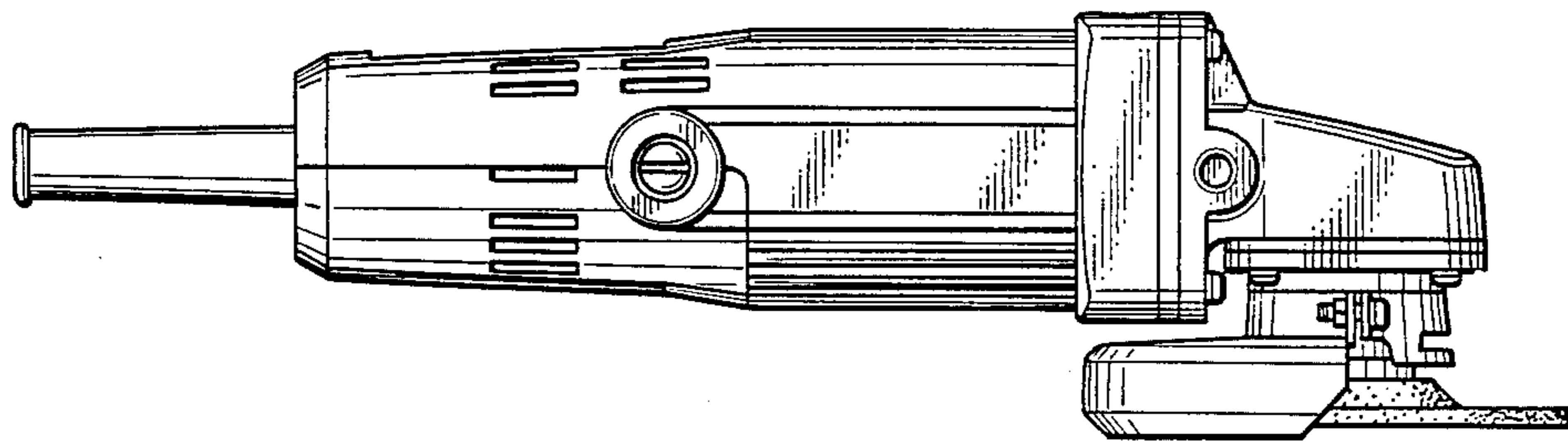


Fig. 4

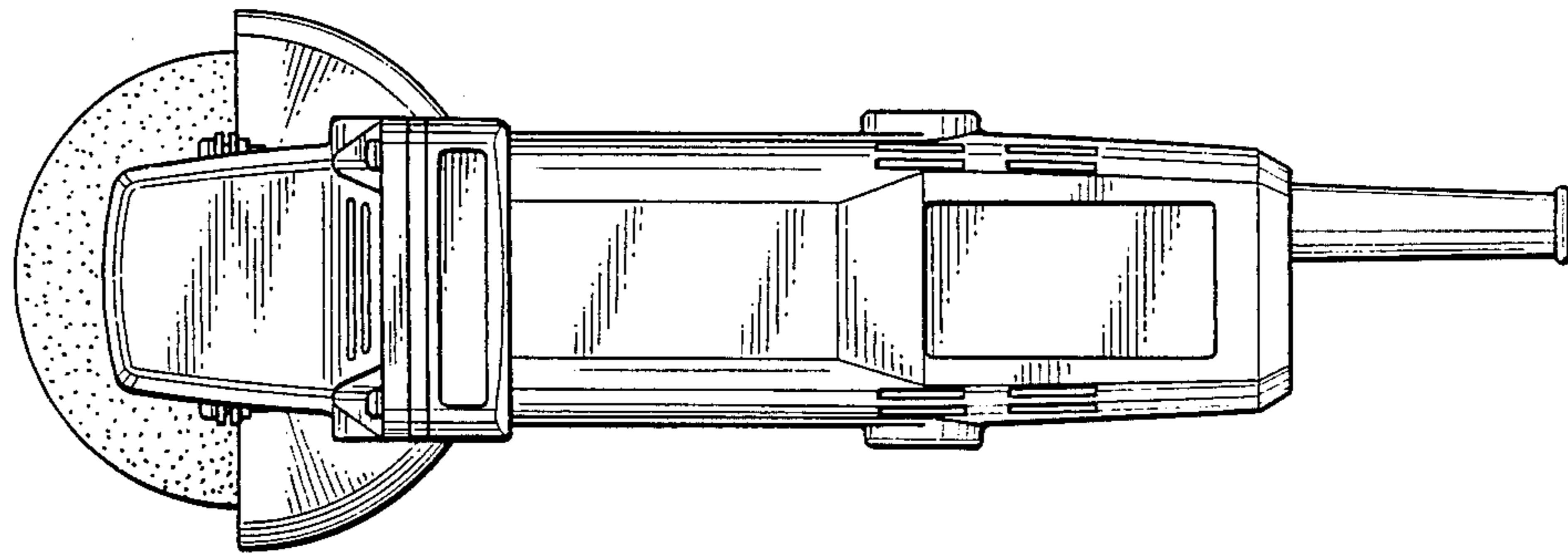


Fig. 5

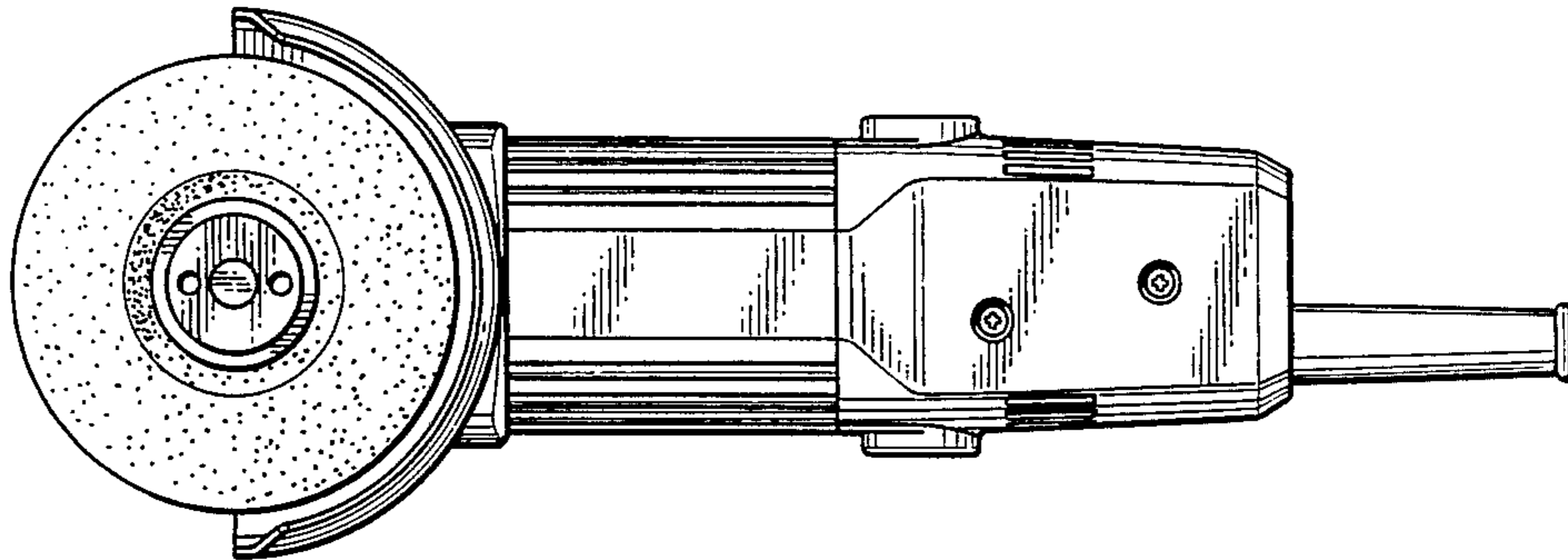


Fig. 6

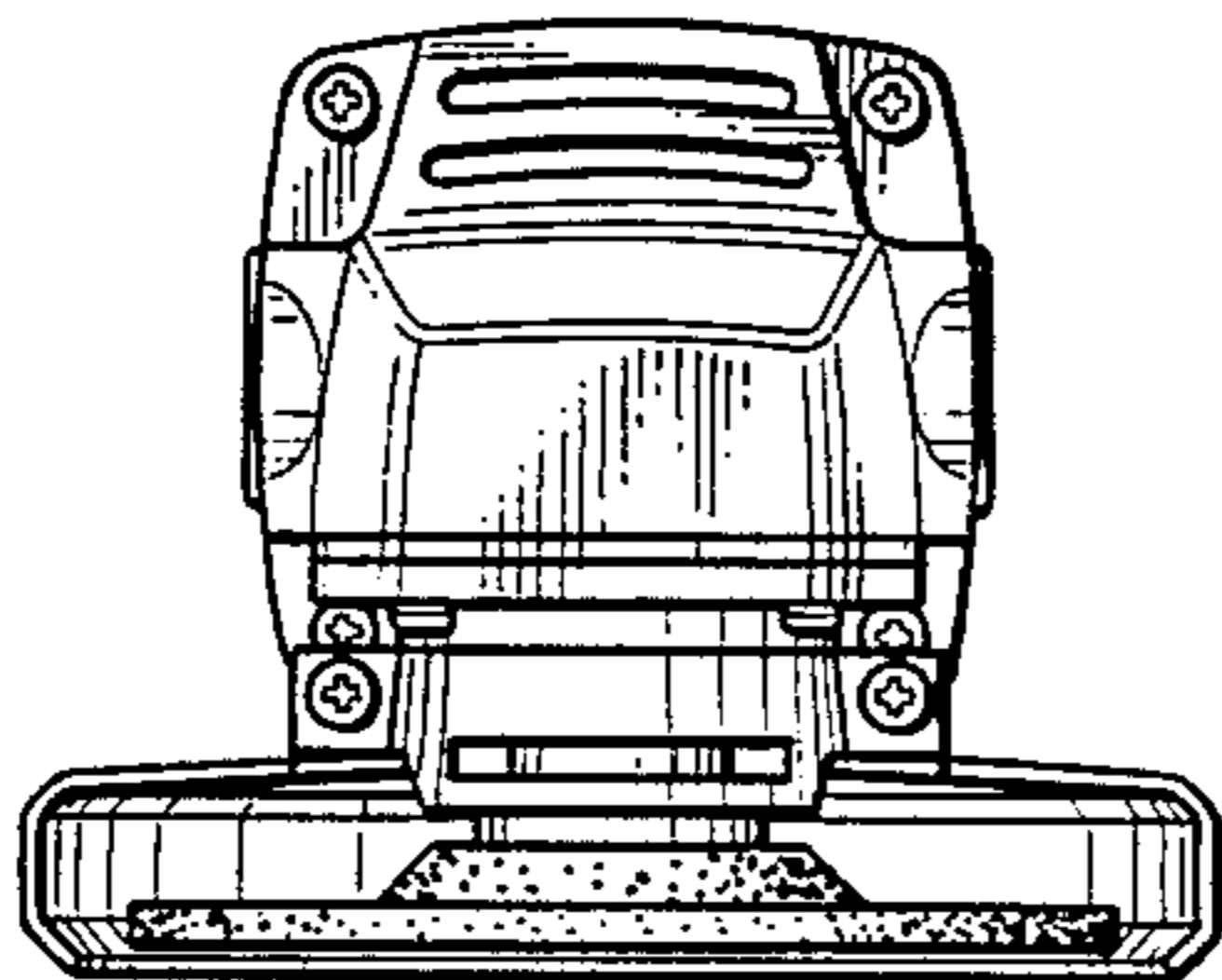


Fig. 7

