

[54] **ELECTRICALLY-OPERATED, HAND-HELD CAN OPENER**

[75] **Inventor: Yan K. Wong, Kowloon, Hong Kong**

[73] **Assignee: Dorlop Industrial Limited, Kowloon, Hong Kong**

[**] **Term: 14 Years**

[21] **Appl. No.: 886,144**

[22] **Filed: Jul. 15, 1986**

[30] **Foreign Application Priority Data**
Feb. 20, 1986 [GB] United Kingdom 1032358

[52] **U.S. Cl. D8/36**

[58] **Field of Search D8/33, 36; 30/400, 410, 30/416, 421-426**

[56] **References Cited**
U.S. PATENT DOCUMENTS
2,883,745 4/1959 Bristol 30/410 X

Primary Examiner—Bernard Ansher
Assistant Examiner—Terry Pfeffer
Attorney, Agent, or Firm—Townsend & Townsend

[57] **CLAIM**
The ornamental design for an electrically-operated, hand-held can opener, as shown and described.

DESCRIPTION

FIG. 1 is a top, front, right side perspective view of an electrically-operated hand-held can opener showing my new design;
FIG. 2 is a rear elevational view thereof;
FIG. 3 is a left side elevational view thereof;
FIG. 4 is a bottom plan view thereof;
FIG. 5 is a front elevational view thereof in an alternate position.

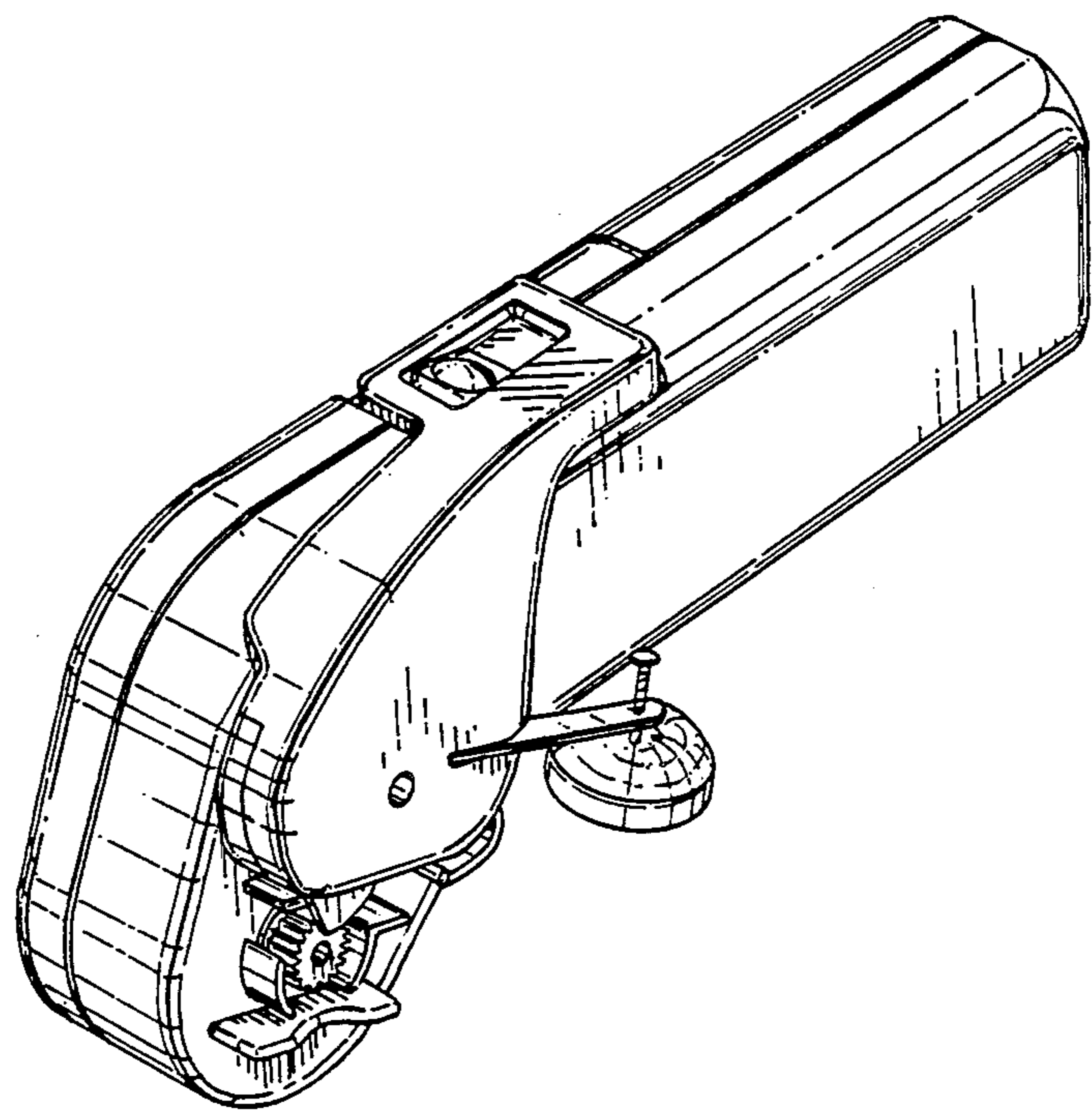


FIG. 1.

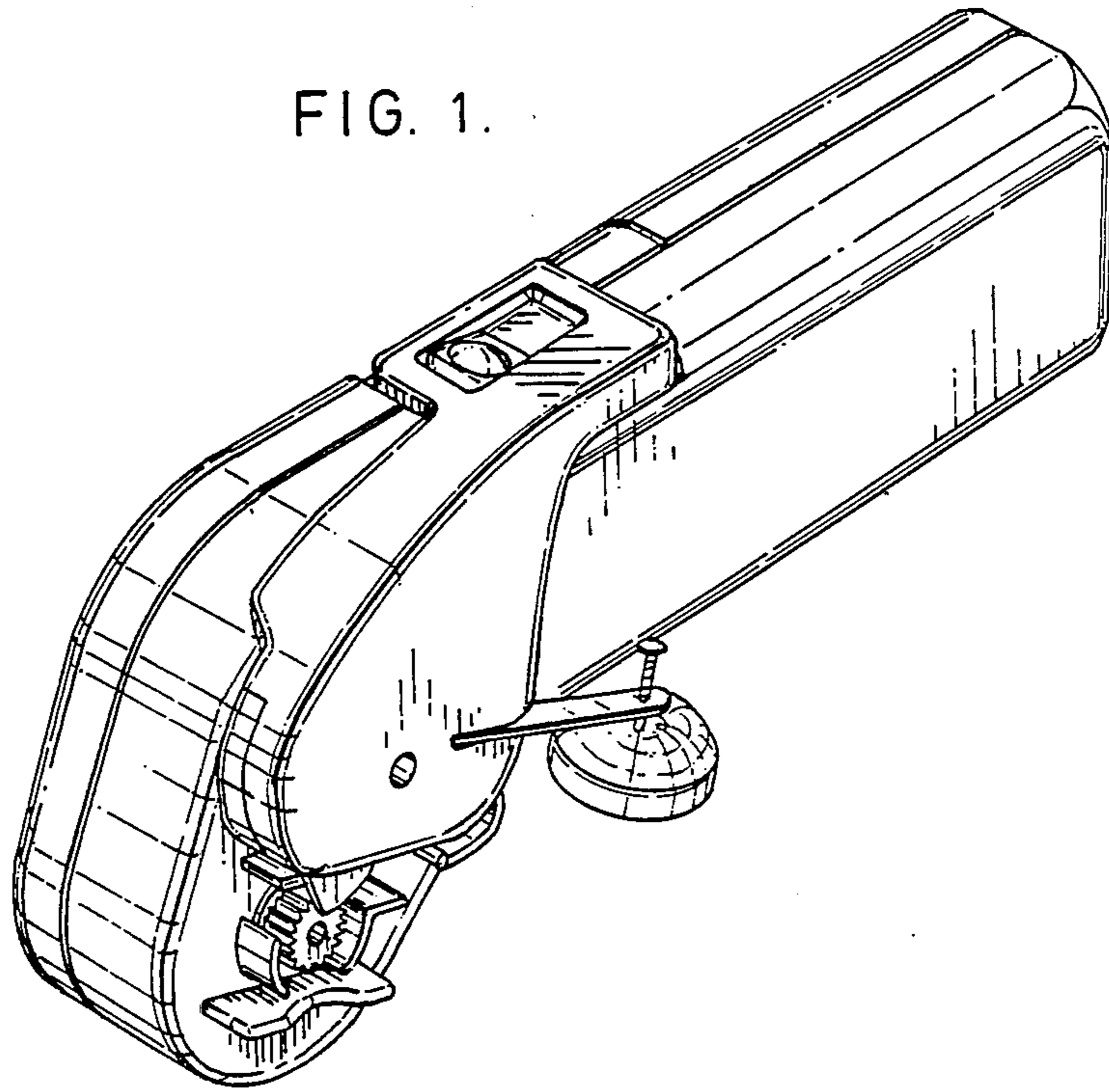
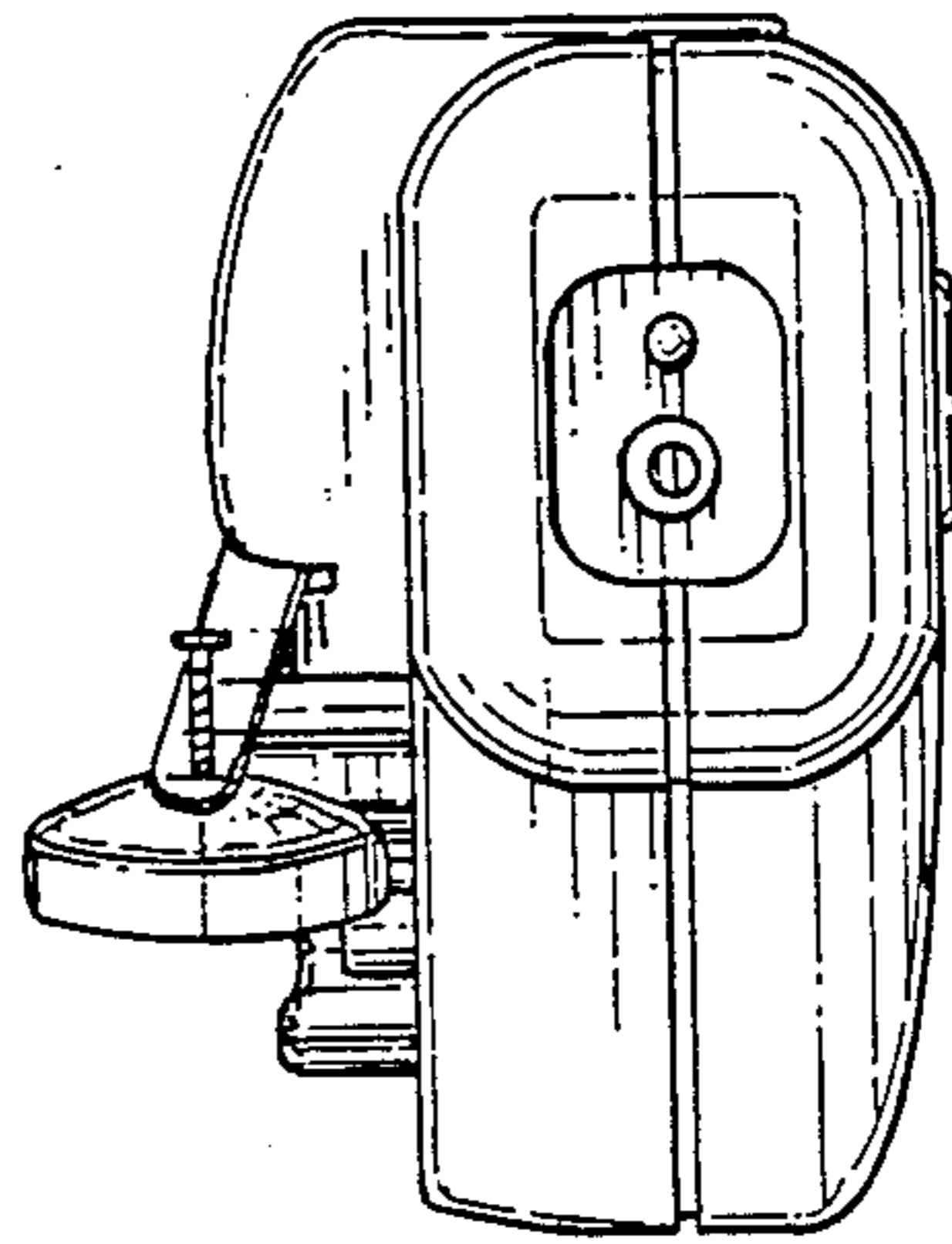


FIG. 2.



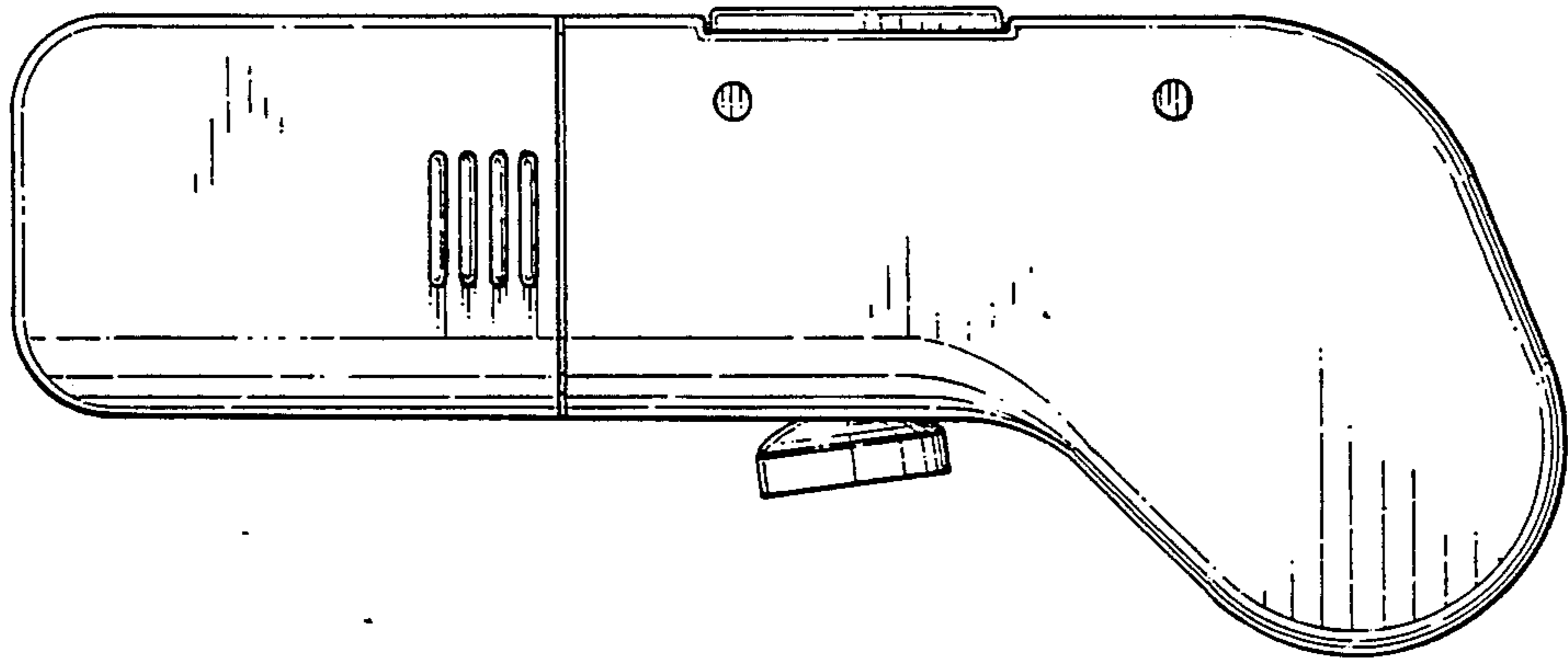


FIG. 3.

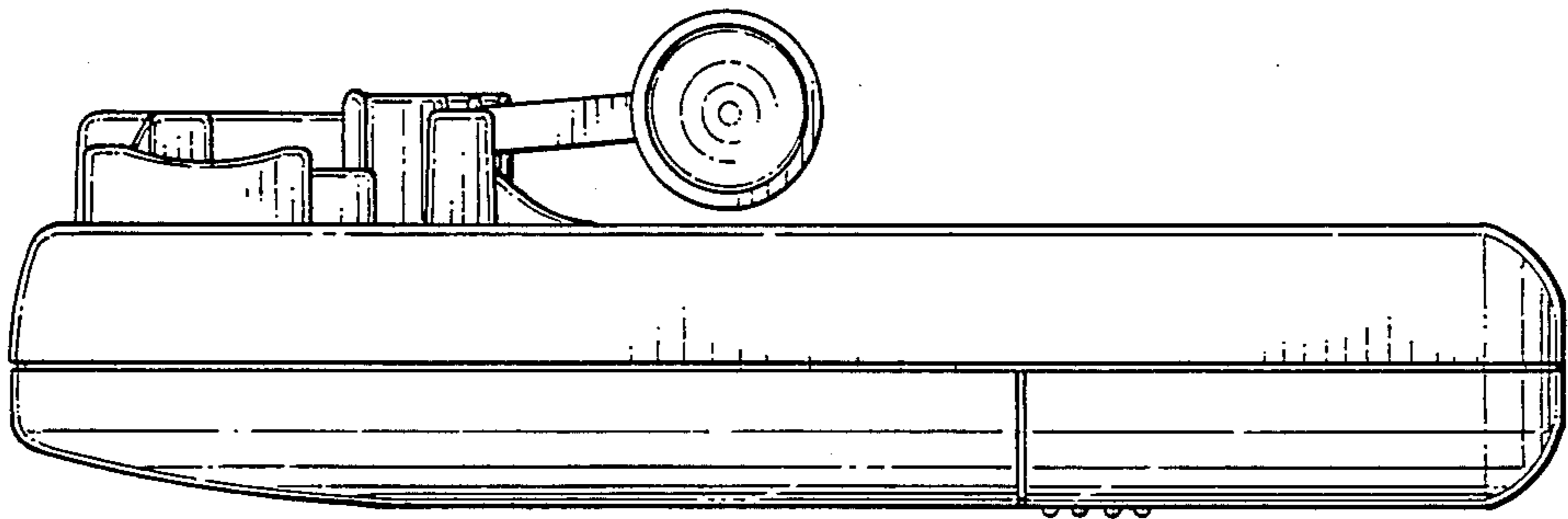


FIG. 4.

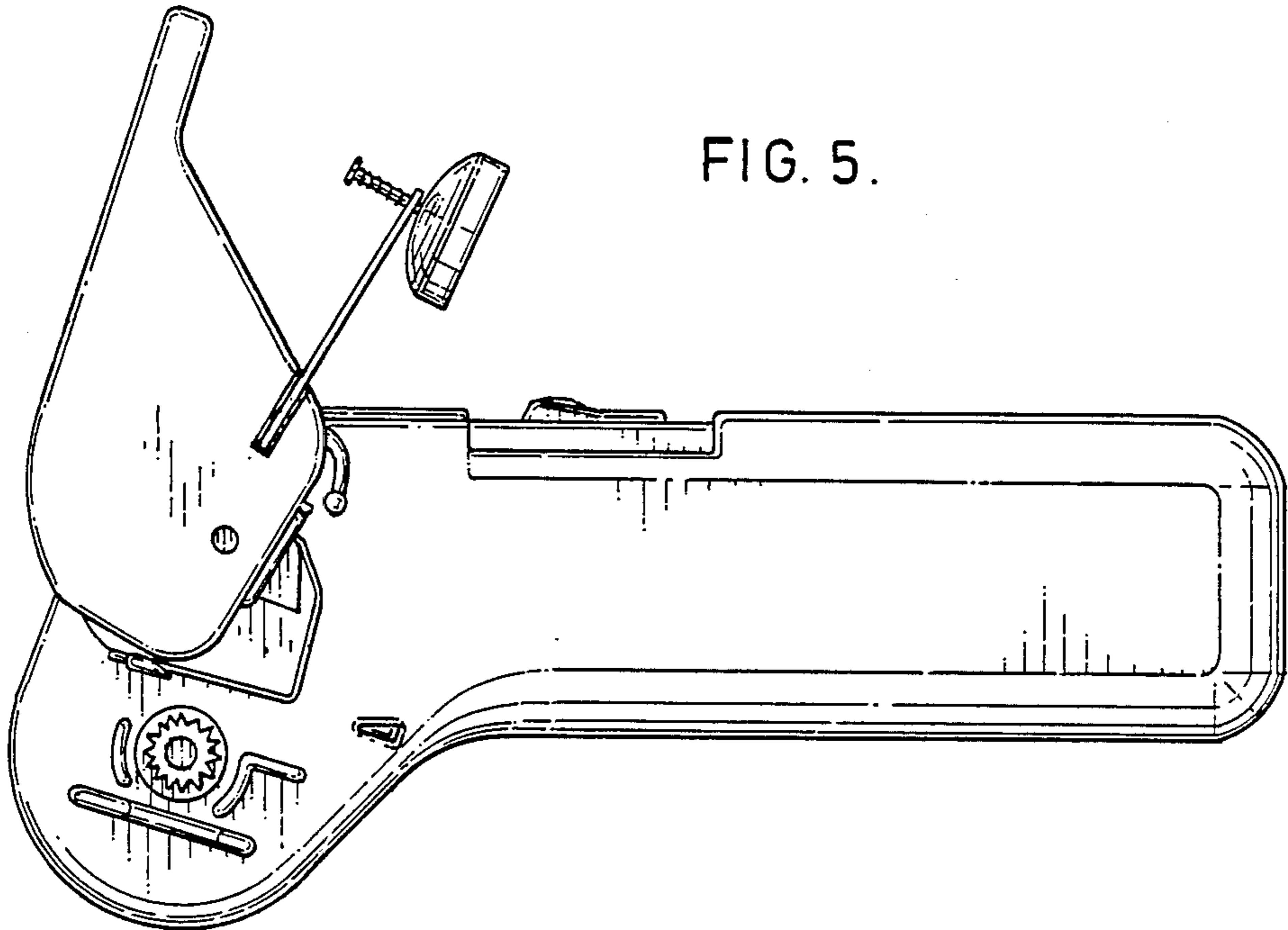


FIG. 5.