

[54] PROCESSING PLANT FOR PREPARATION OF FOOD AND PHARMACEUTICAL PRODUCTS

[76] Inventors: Lennart Stenström, Daggstigen 22, 141 38 Huddinge; Lennart Wahlström, Blockvägen 13, 147 00 Tumba, both of Sweden

[**] Term: 14 Years

[21] Appl. No.: 766,680

[22] Filed: Aug. 19, 1985

[30] Foreign Application Priority Data

Feb. 18, 1985 [SE] Sweden 85-0389

[52] U.S. Cl. D7/368

[58] Field of Search 99/470, 472, 367, 443 R, 99/443 C, 536; 422/292, 299, 300, 304, 310-311; D7/323, 338, 339, 368

[56] References Cited

U.S. PATENT DOCUMENTS

2,771,645	11/1956	Martin	422/304
3,604,319	9/1971	Hirahara	99/470
3,961,569	6/1976	Kenyon et al.	99/470
4,026,203	5/1977	Levati	99/472
4,385,035	5/1983	Akitoshi et al.	422/304

Primary Examiner—Bruce W. Dunkins
Assistant Examiner—Ruth Takemoto
Attorney, Agent, or Firm—Wegner & Bretschneider

[57] CLAIM

The ornamental design for a processing plant for preparation of food and pharmaceutical products, as shown and described.

DESCRIPTION

FIG. 1 is a top, front and side perspective view of a processing plant for preparation of food and pharmaceutical products showing our new design; FIG. 2 is a front elevational view thereof; and FIG. 3 is a left and elevational view thereof.

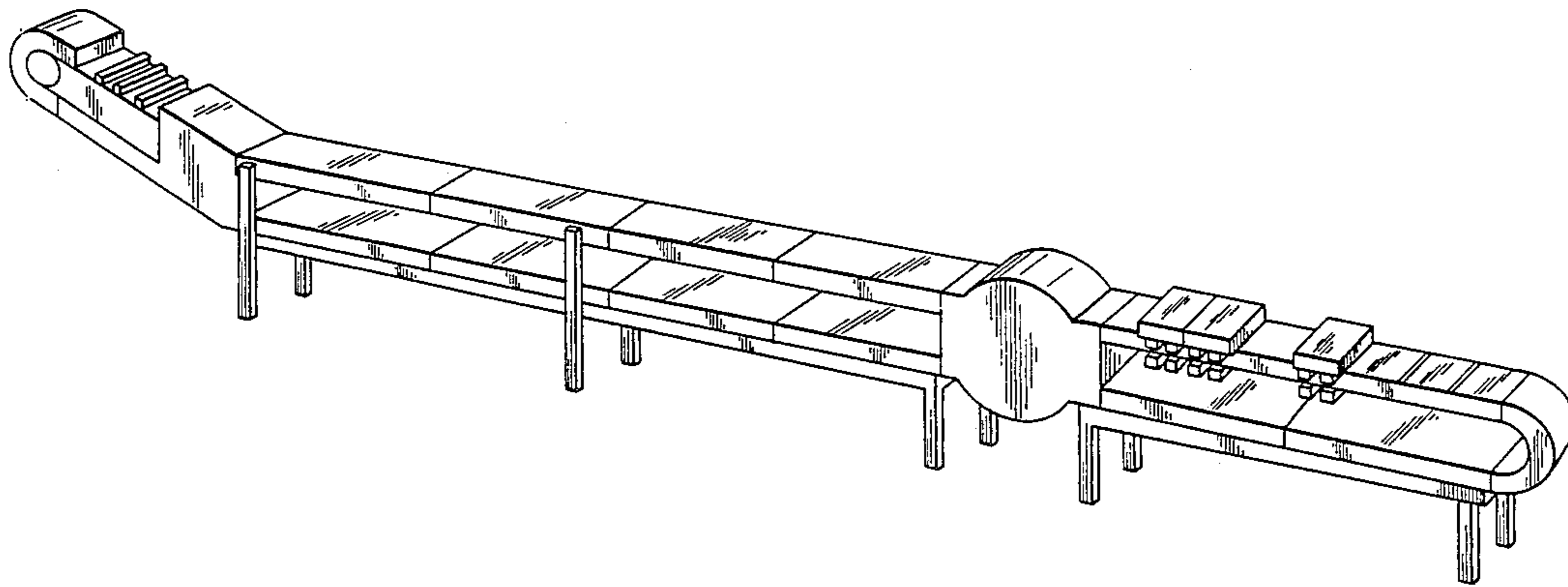
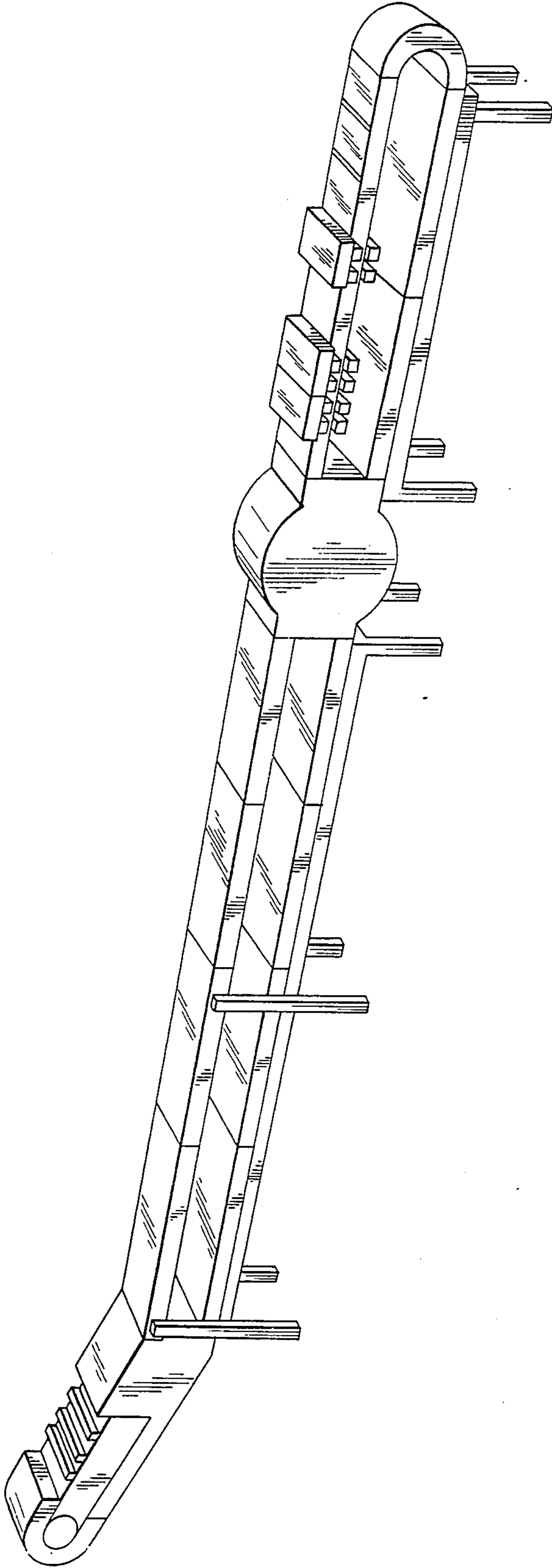


FIG. 1



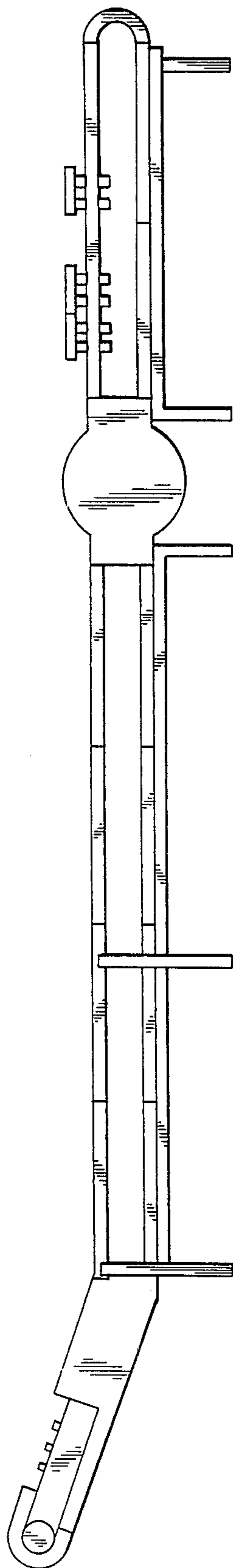


FIG. 2

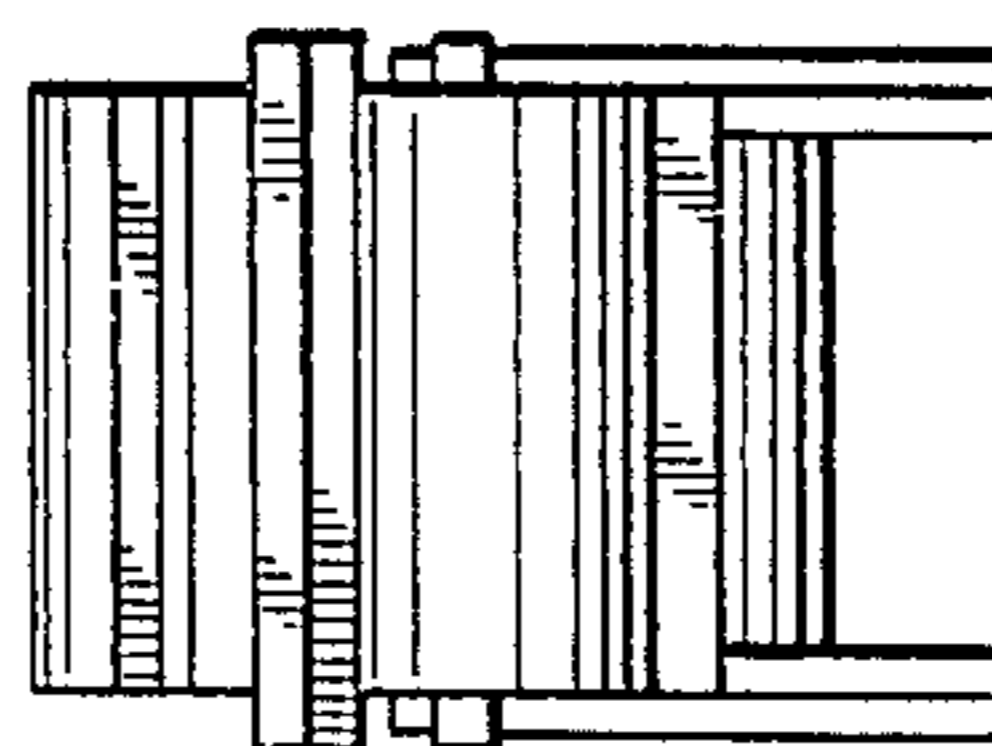


FIG. 3