

United States Patent [19]

Wasserman

[11] Patent Number: Des. 301,820

[45] Date of Patent: ** Jun. 27, 1989

[54] HORS D'OEUVRE TRAY

[75] Inventor: Steven Wasserman, Baltimore, Md.

[73] Assignee: Artform Industries, Baltimore, Md.

[**] Term: 14 Years

[21] Appl. No.: 936,658

[22] Filed: Dec. 1, 1986

[52] U.S. Cl. D7/38; D7/1

[58] Field of Search D7/38, 37, 70, 19, 3,
D7/1; D9/347, 341

[56] References Cited

U.S. PATENT DOCUMENTS

- D. 94,870 3/1935 Buck D7/38
D. 154,224 6/1949 Tweet D7/38
D. 185,911 8/1959 Chadbourne D7/1

- D. 207,062 2/1967 Blair D7/38
D. 213,093 1/1969 Thomas D9/341

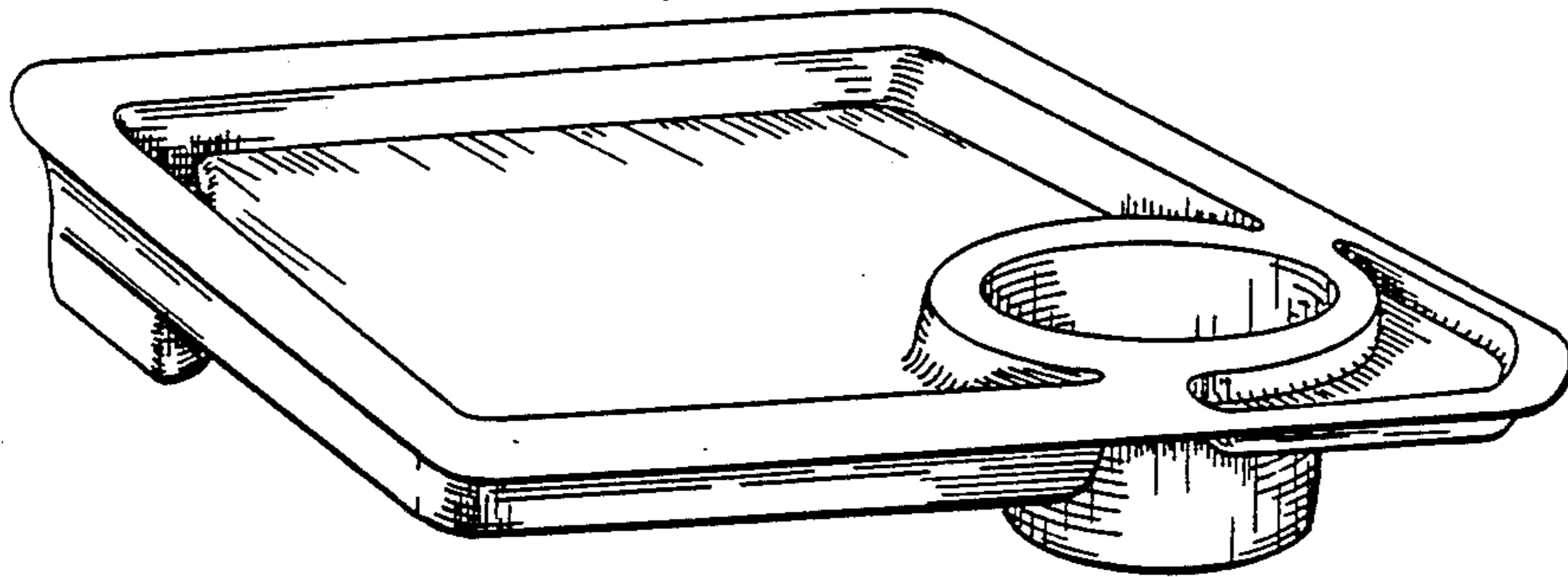
Primary Examiner—Winifred E. Herrmann
Attorney, Agent, or Firm—Birch, Stewart, Kolasch & Birch

[57] CLAIM

The ornamental design for an hors d'oeuvre tray, as shown.

DESCRIPTION

FIG. 1 is a perspective view of an hors d'oeuvre tray showing my new design;
FIG. 2 is a top plan view thereof;
FIG. 3 is a bottom plan view thereof;
FIG. 4 is a front elevational view thereof;
FIG. 5 is a right side elevational view thereof;
FIG. 6 is a rear elevational view thereof; and
FIG. 7 is a left side elevational view thereof.



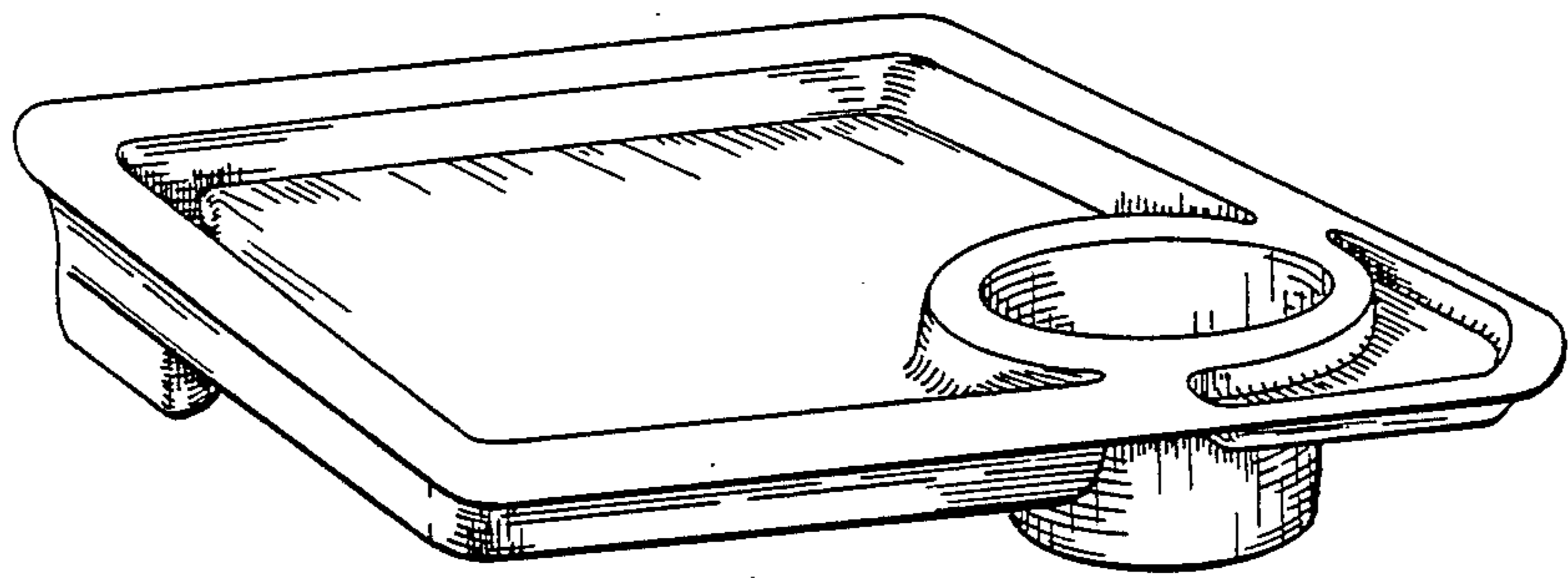


FIG. 1

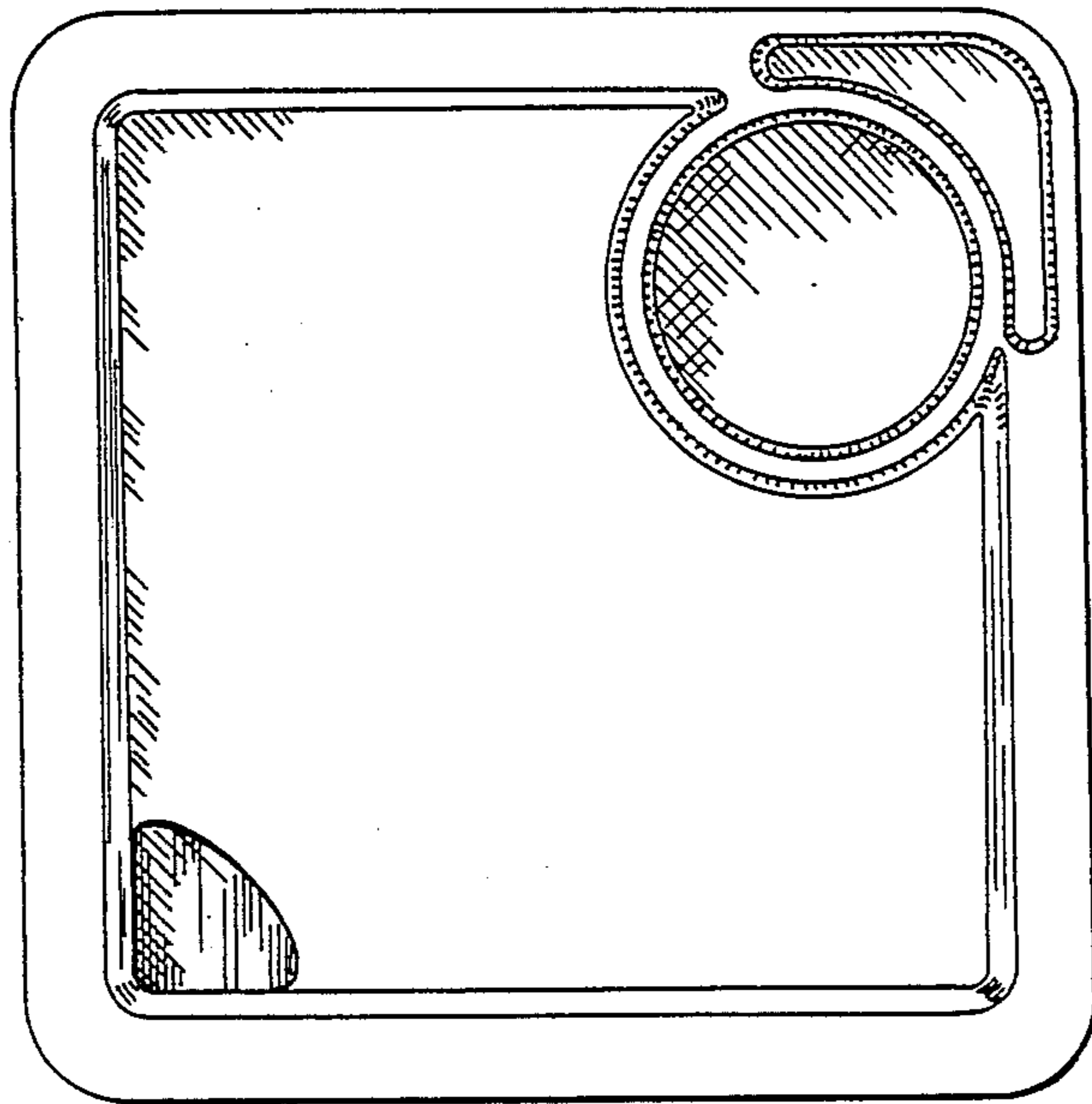


FIG. 2

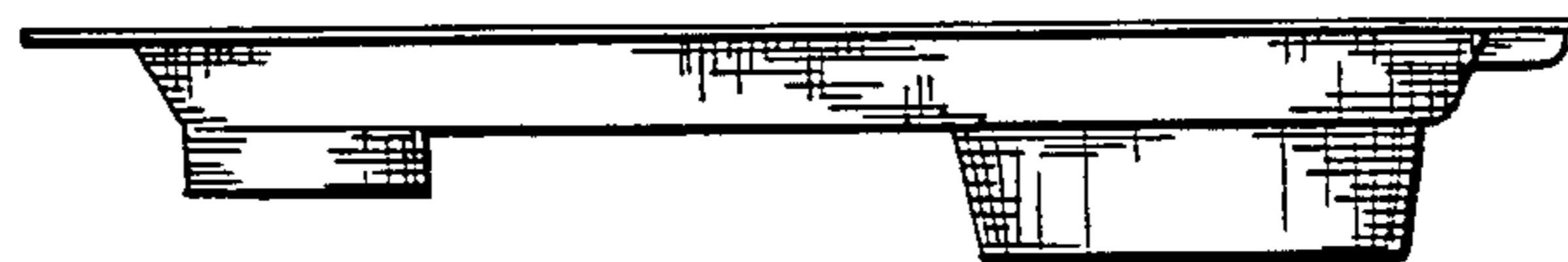


FIG. 4

FIG. 3

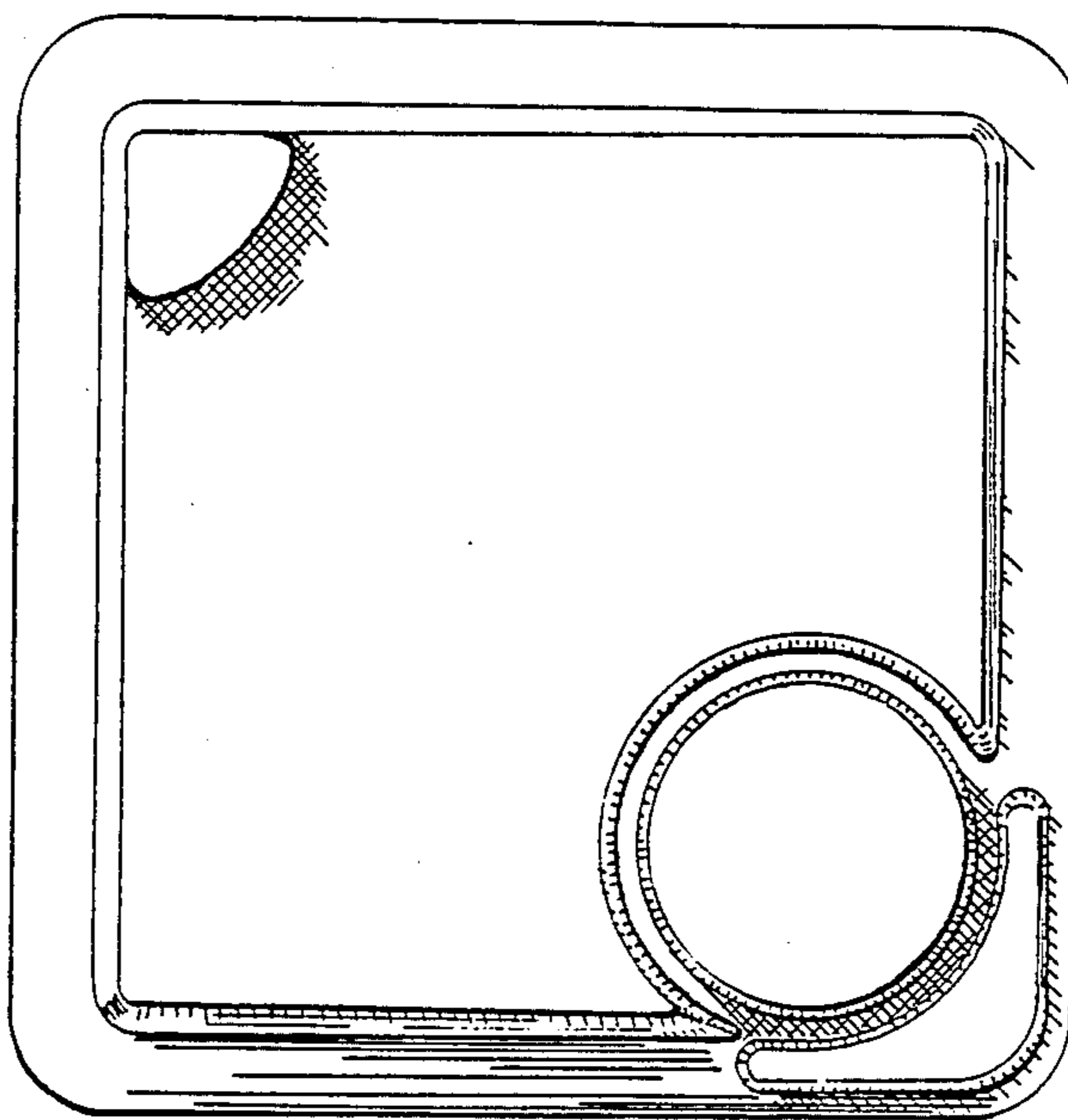


FIG. 5

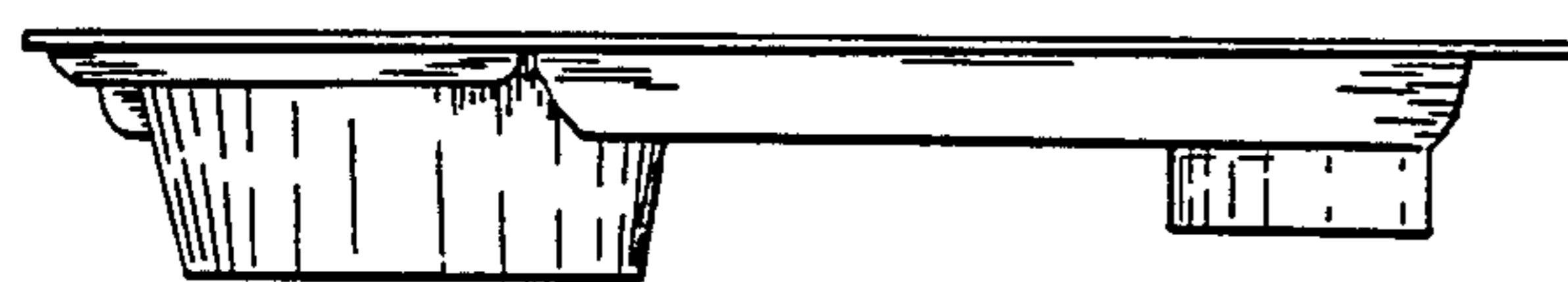
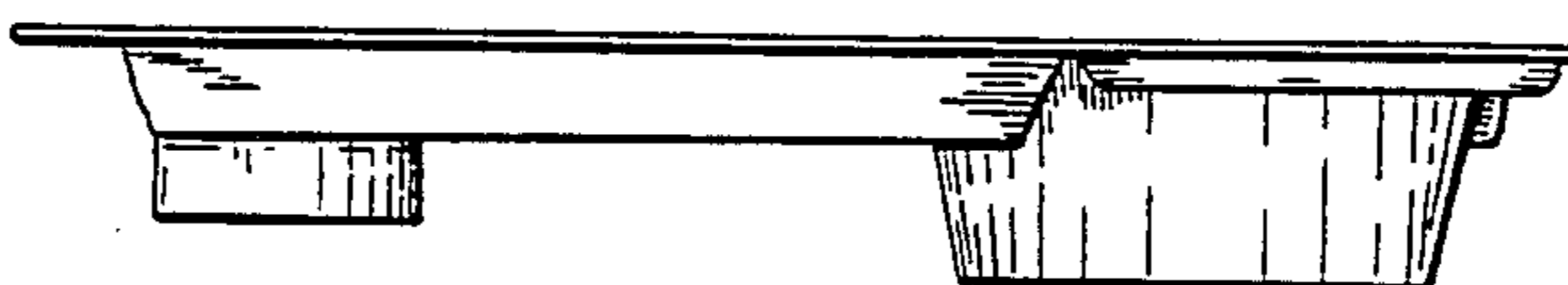


FIG. 6

FIG. 7

