

[54] INFLATABLE RETRACTABLE SOLAR SHADE

[76] Inventor: Craig J. Froeter, 1402 8th Ave., Sterling, Ill. 61081

[\*\*] Term: 14 Years

[21] Appl. No.: 834,045

[22] Filed: Feb. 18, 1986

[52] U.S. Cl. .... D6/575; D6/579

[58] Field of Search ..... D6/575, 577, 579, 580; 160/900, 168.1, 176.1, 332, 34, 107; 126/426, 442; D23/314, 323, 385

[56] References Cited

U.S. PATENT DOCUMENTS

D. 295,354	4/1988	De Block et al. ....	D6/575 X
1,782,339	11/1930	Campobasso .....	160/332
3,859,980	1/1975	Crawford .....	126/426
4,060,070	11/1977	Harter .....	126/426 X

FOREIGN PATENT DOCUMENTS

107100	4/1939	Australia .....	D6/575 X
--------	--------	-----------------	----------

OTHER PUBLICATIONS

*Sears Decorating Ideas*, ©1981, vol. II, p. 58, "Top Treatment" #35 Valance/Cornice, right col.

Primary Examiner—Winifred E. Herrmann  
Attorney, Agent, or Firm—Terry M. Gernstein

[57] CLAIM

The ornamental design for an inflatable retractable solar shade, as shown and described.

DESCRIPTION

FIG. 1 is a perspective view of an inflatable retractable solar shade showing my new design, the rear of the inflatable retractable solar shade being plane and unadorned.

FIG. 2 is a top plan view thereof.

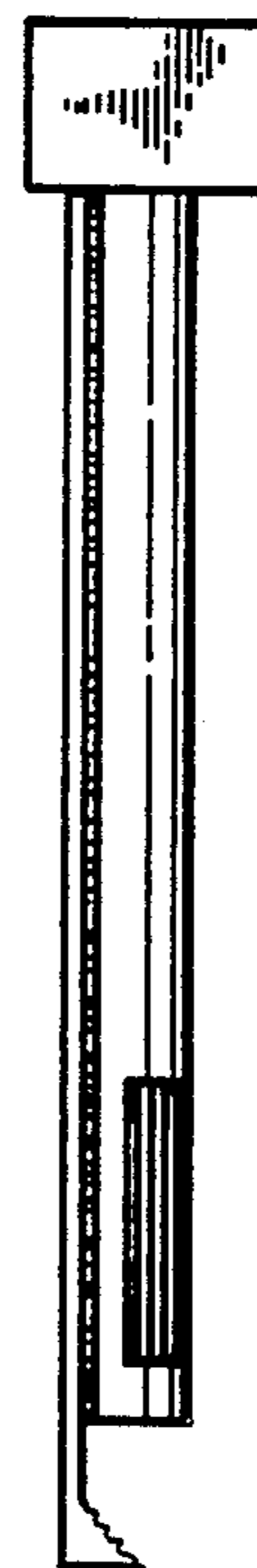
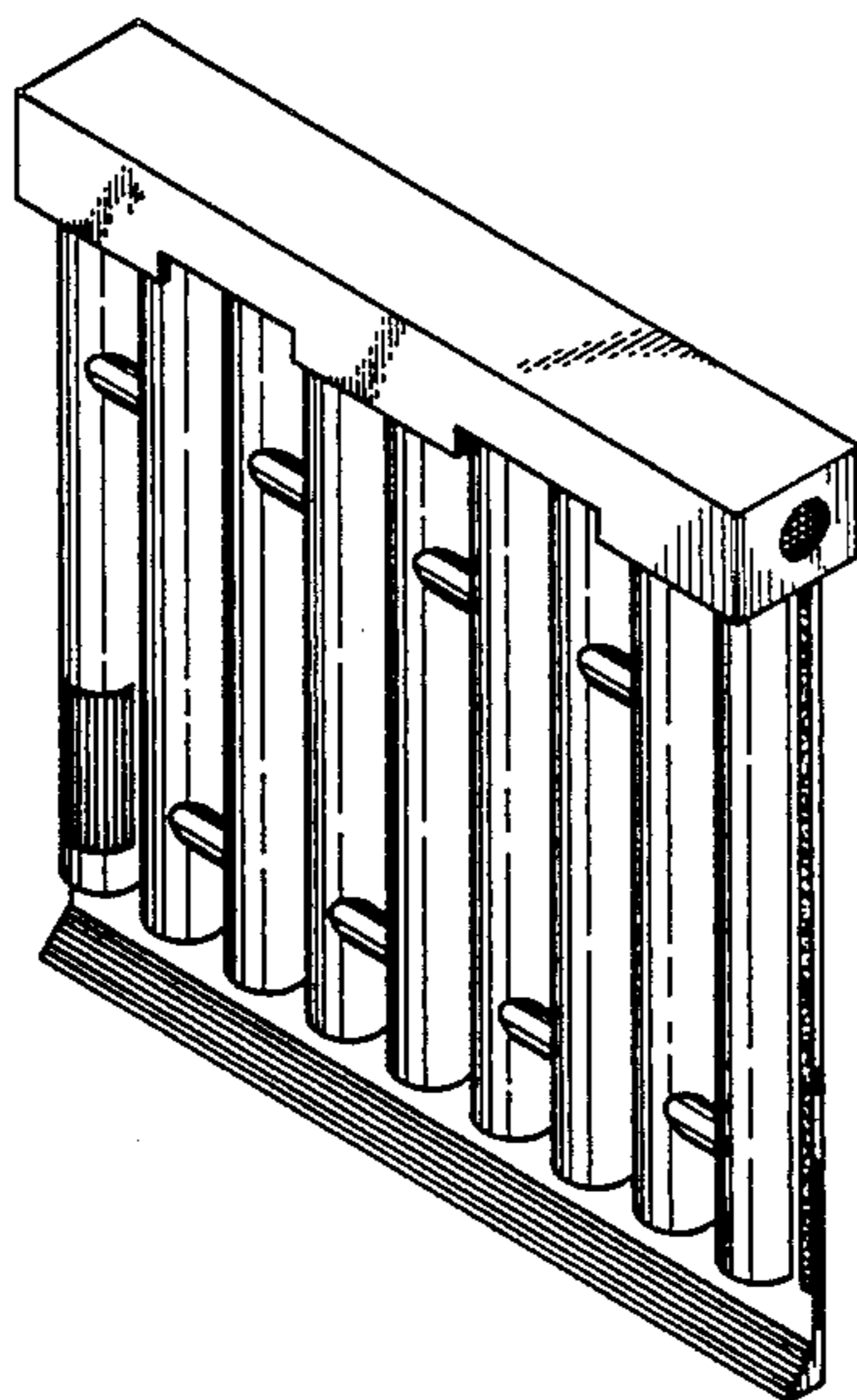
FIG. 3 is a left end elevational view thereof.

FIG. 4 is a right end elevational view thereof.

FIG. 5 is a front elevational view thereof.

FIG. 6 is a rear perspective view thereof with the shade material shown fully retracted; and,

FIG. 7 is a front elevational view thereof similar to FIG. 5 with a separate cover shade material shown fully drawn.



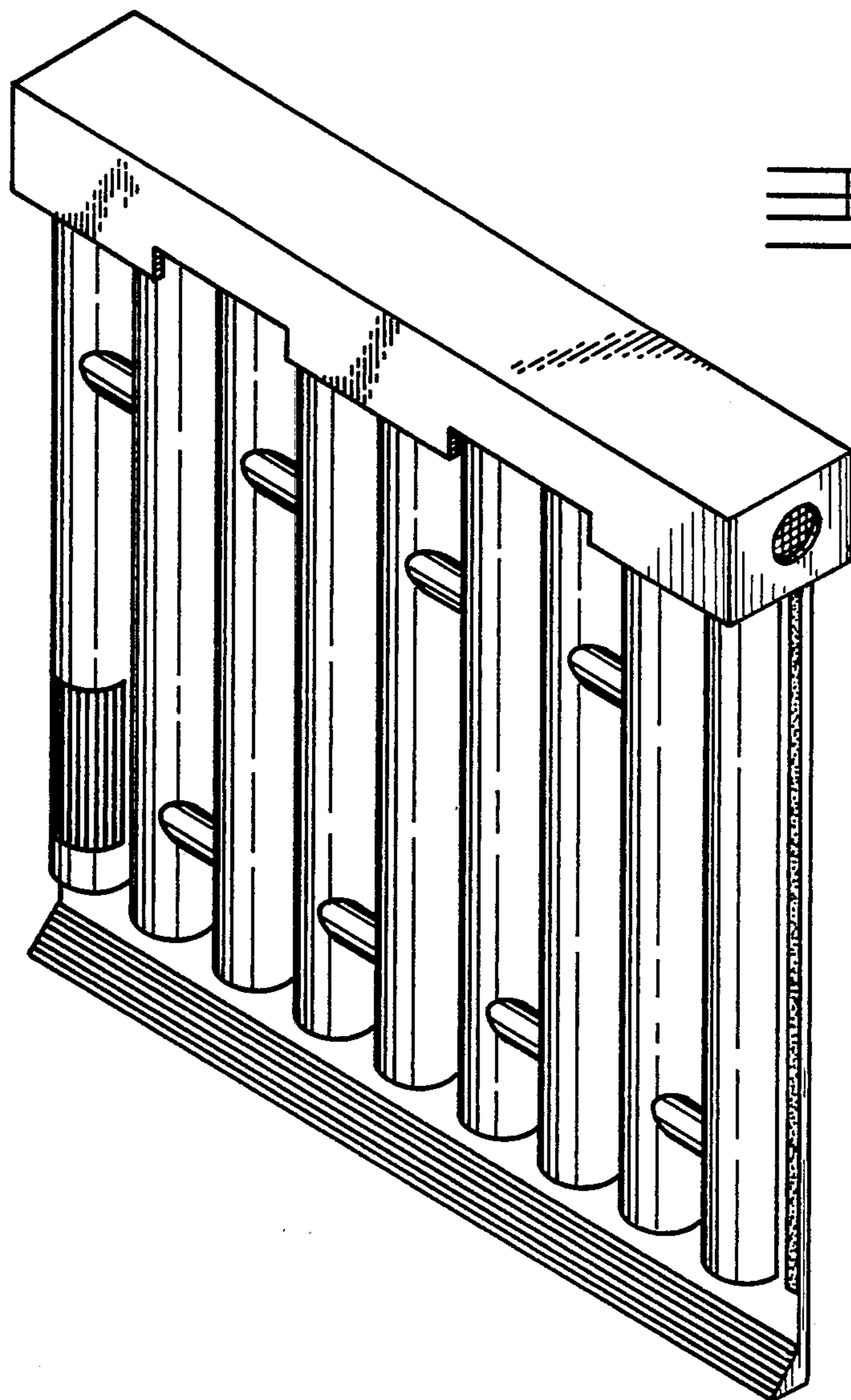


Fig. 1

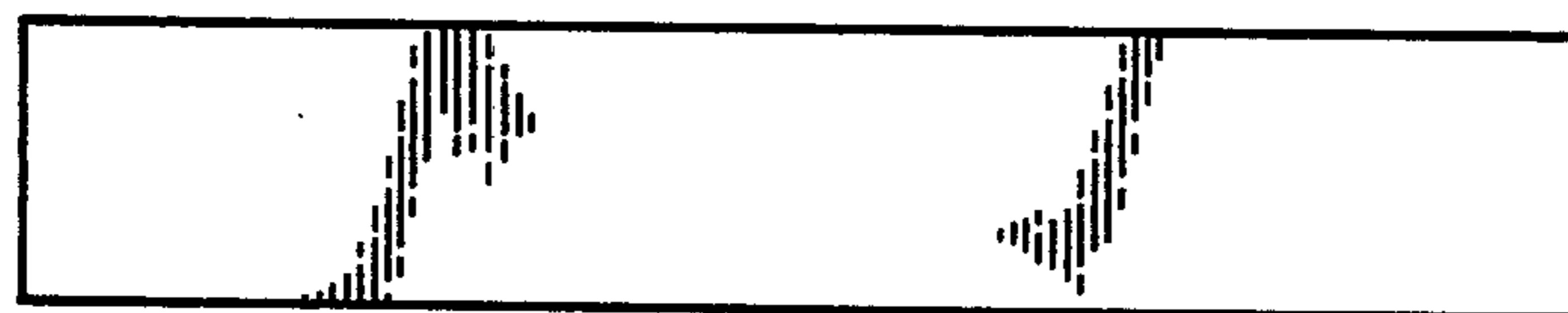


Fig. 2

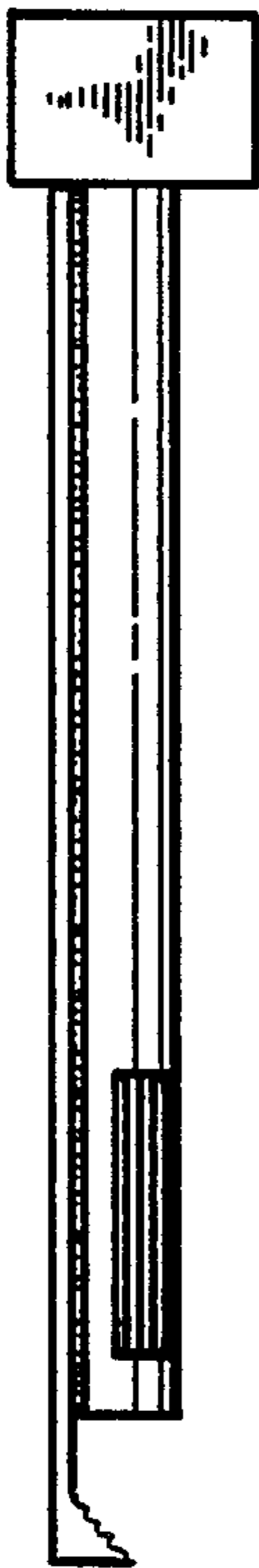


Fig. 3

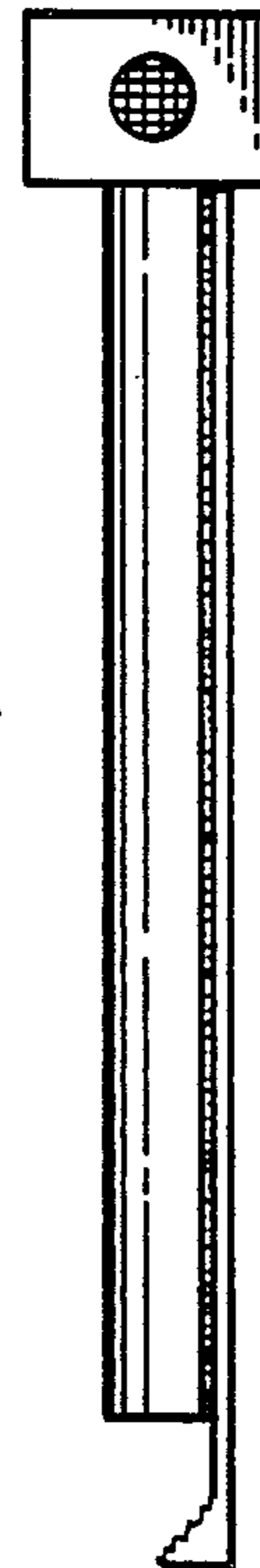


Fig. 4

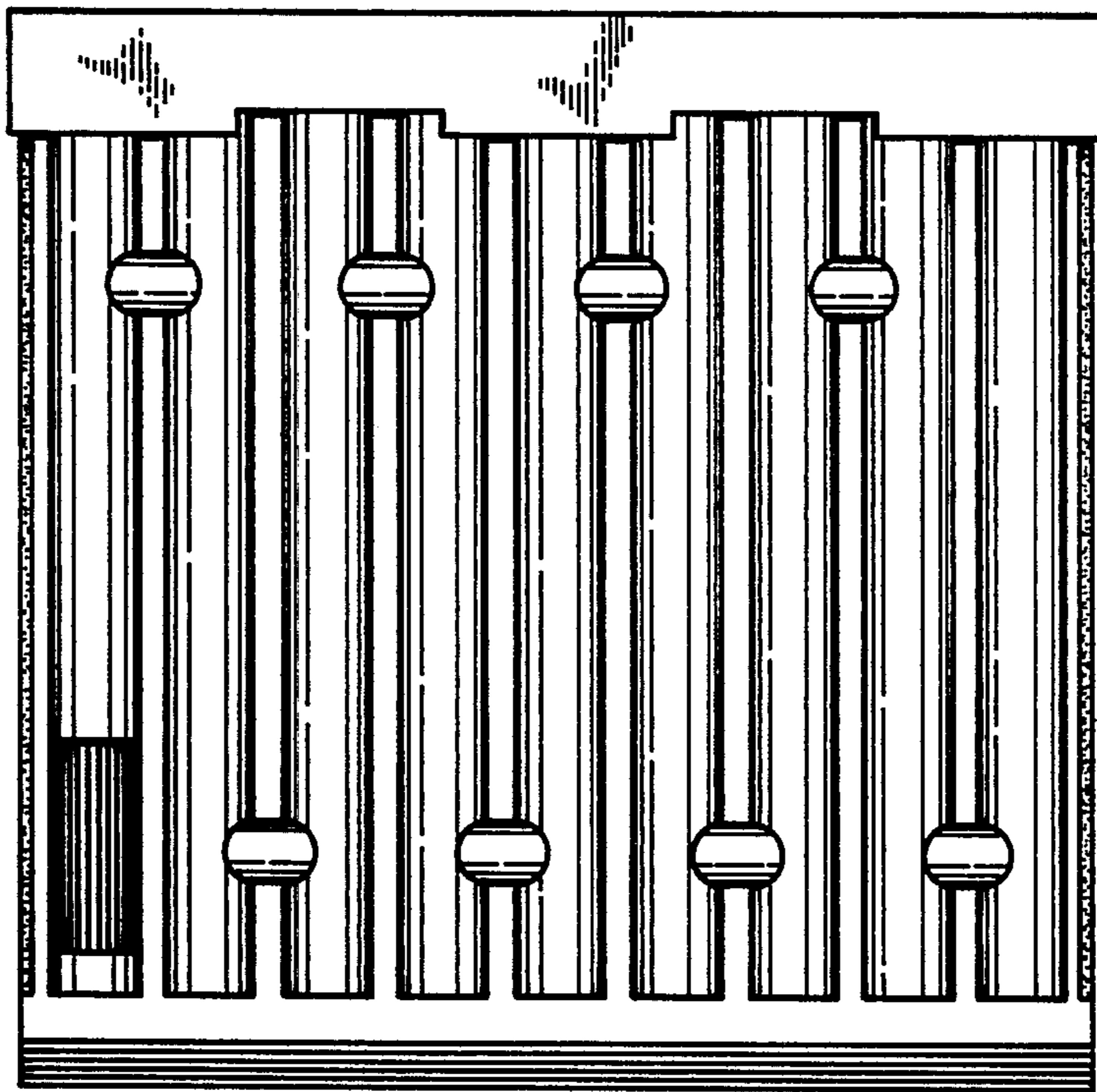


Fig. 5

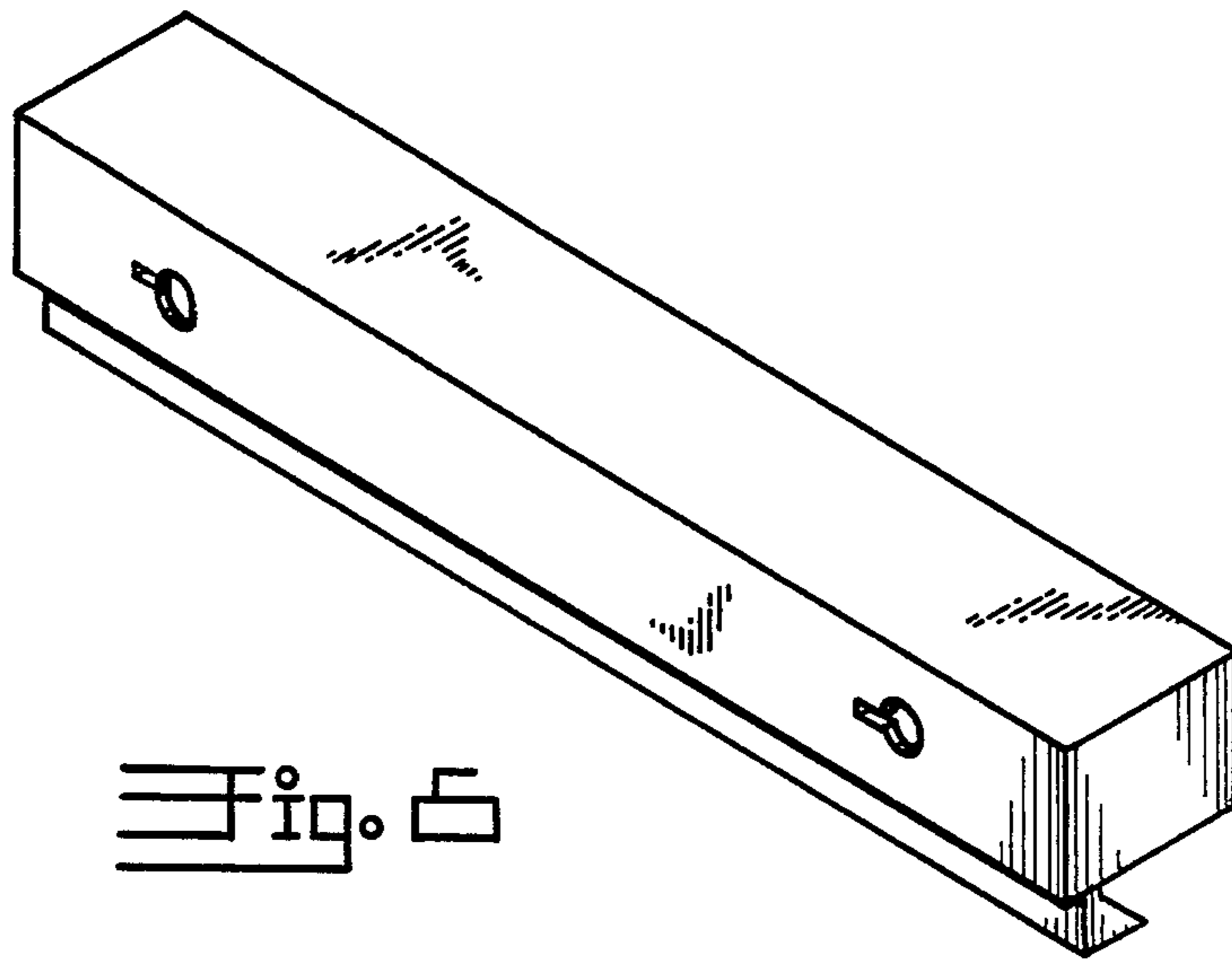


Fig. 6

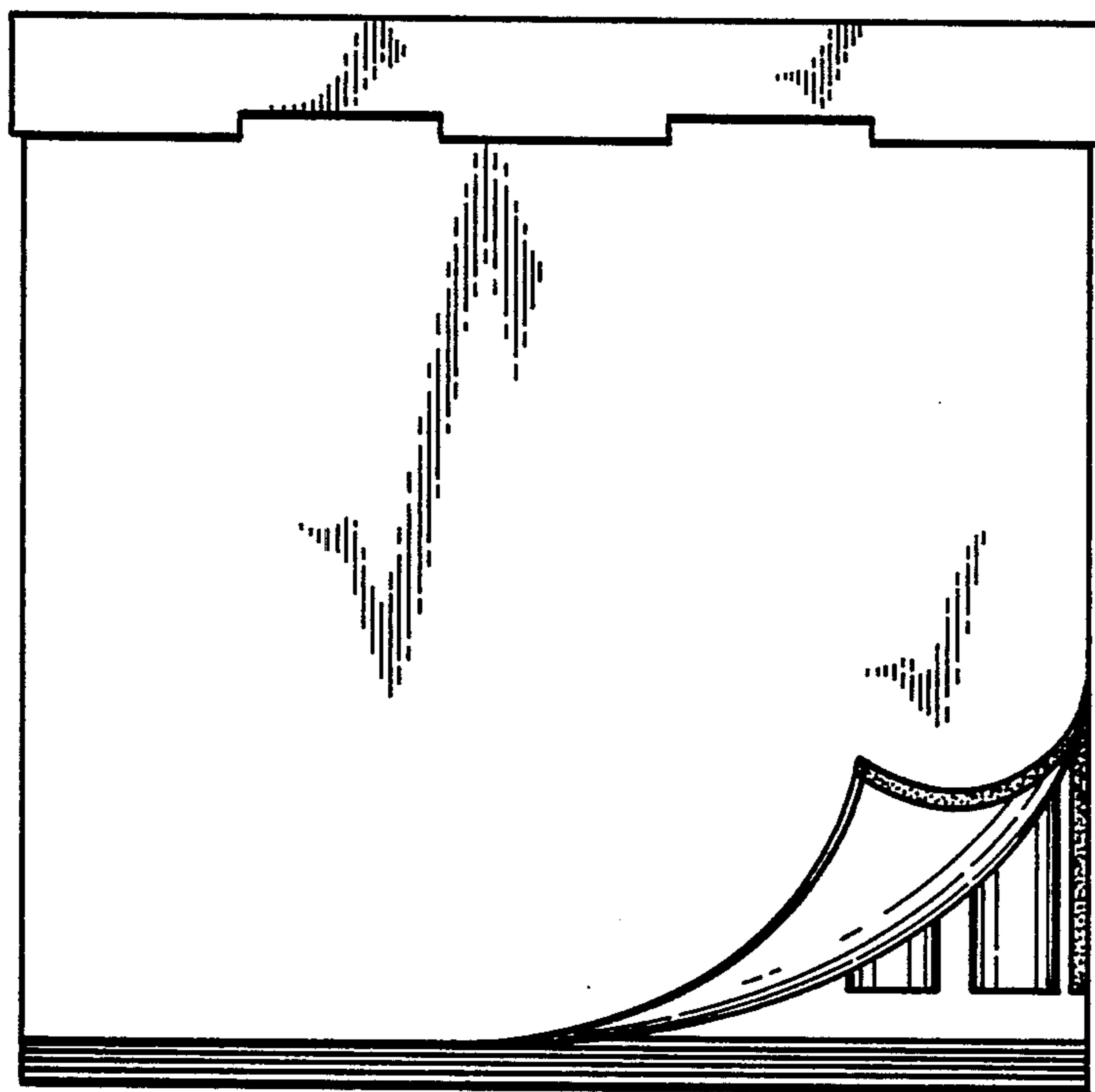


Fig. 7