

[54] COAT HOOK

[75] Inventor: Frank A. Friedman, San Francisco, Calif.

[73] Assignee: Herman Miller, Inc., Zeeland, Mich.

[**] Term: 14 Years

[21] Appl. No.: 81,103

[22] Filed: Aug. 3, 1987

[52] U.S. Cl. D6/323; D8/370; D8/371

[58] Field of Search D6/320, 323; D8/367, D8/370, 371; 211/32, 87, 96; 248/215, 300, 301, 303, 304, 302

[56] References Cited

U.S. PATENT DOCUMENTS

D. 40,923	12/1863	Fowler	D6/323
D. 121,488	7/1940	DeRoos	D6/323
D. 159,261	7/1950	Fiechter	D6/323
D. 160,790	11/1950	Kongieser et al.	D6/323
D. 169,991	7/1953	Sager	D6/323
D. 271,545	11/1983	Licari et al.	D6/323

D. 282,885	3/1986	Jarrett	D6/323
D. 725,678	4/1903	Cullum	D6/323
2,346,276	4/1944	Reittinger	D6/323
3,112,911	12/1963	Cornwell	248/301
3,740,013	6/1973	Bentley et al.	248/300

FOREIGN PATENT DOCUMENTS

1129594	9/1956	France	211/96
---------	--------	--------	-------	--------

Primary Examiner—B. J. Bullock

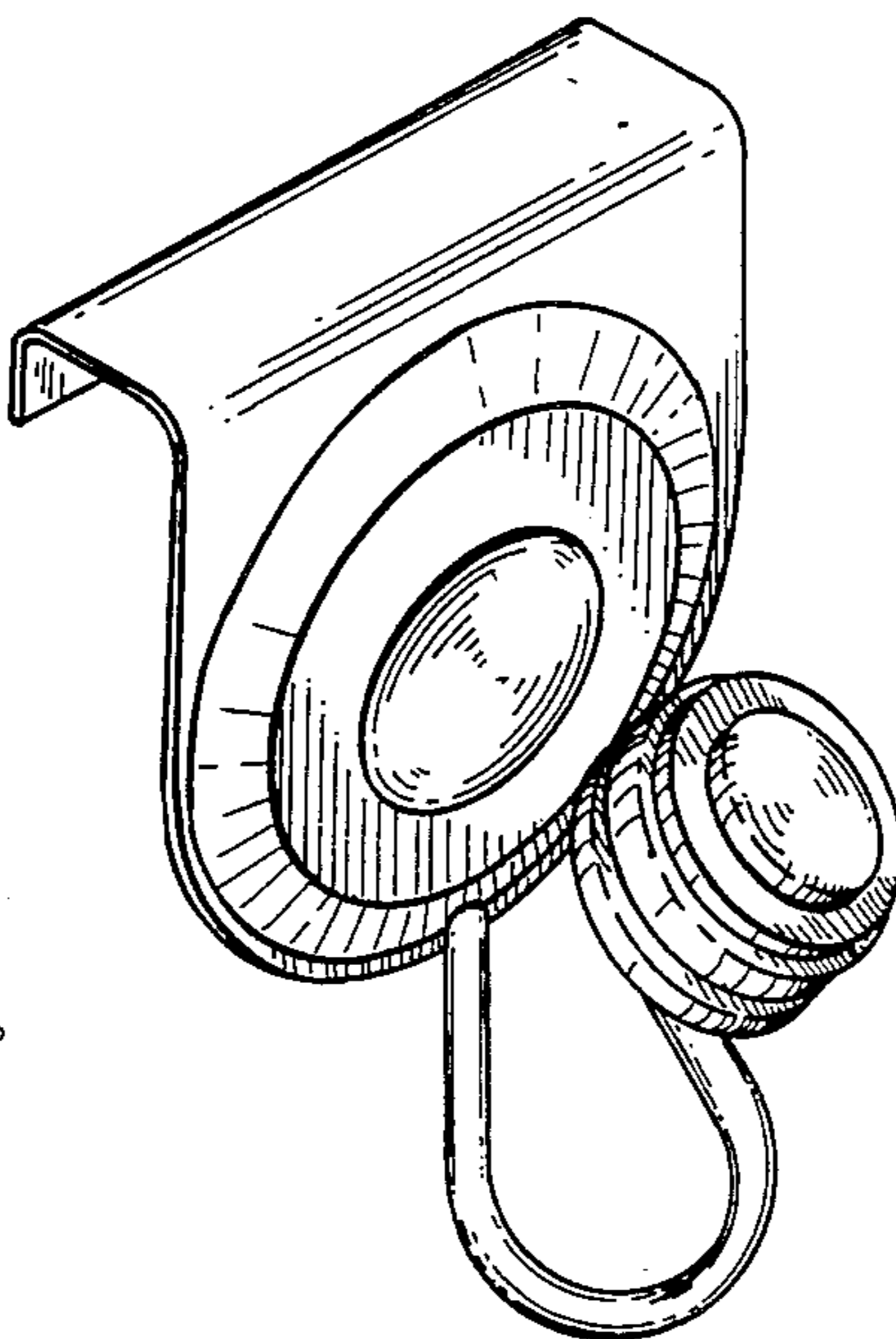
Attorney, Agent, or Firm—Varnum, Riddering, Schmidt & Howlett

[57] CLAIM

The ornamental design for a coat hook, as shown and described.

DESCRIPTION

FIG. 1 is a front perspective view of a coat hook showing my new design;
 FIG. 2 is a front elevational view thereof;
 FIG. 3 is a left side elevational view thereof, the right side being a mirror image;
 FIG. 4 is a rear elevational view thereof;
 FIG. 5 is a top plan view thereof;
 FIG. 6 is a bottom plan view thereof.



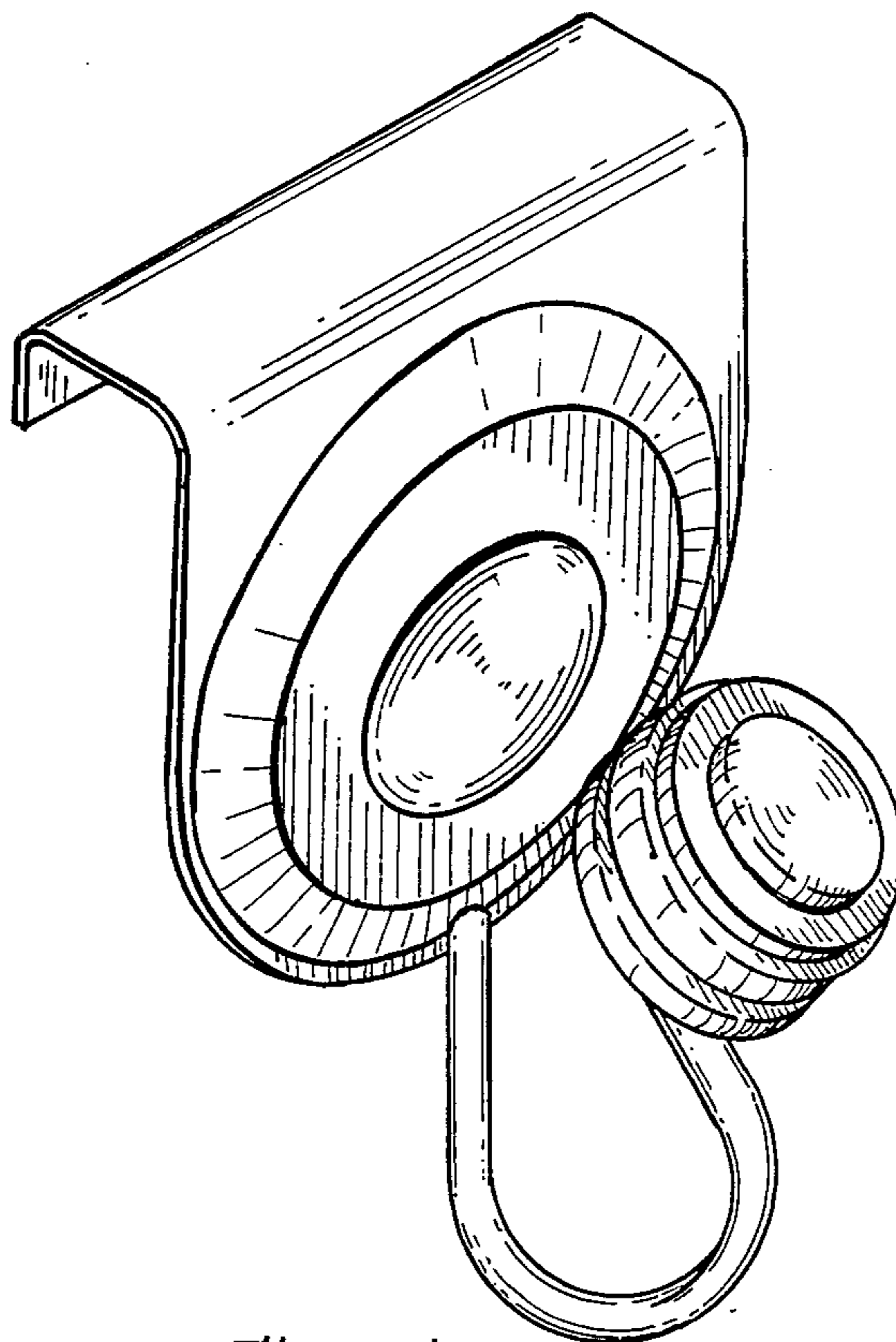


FIG. 1

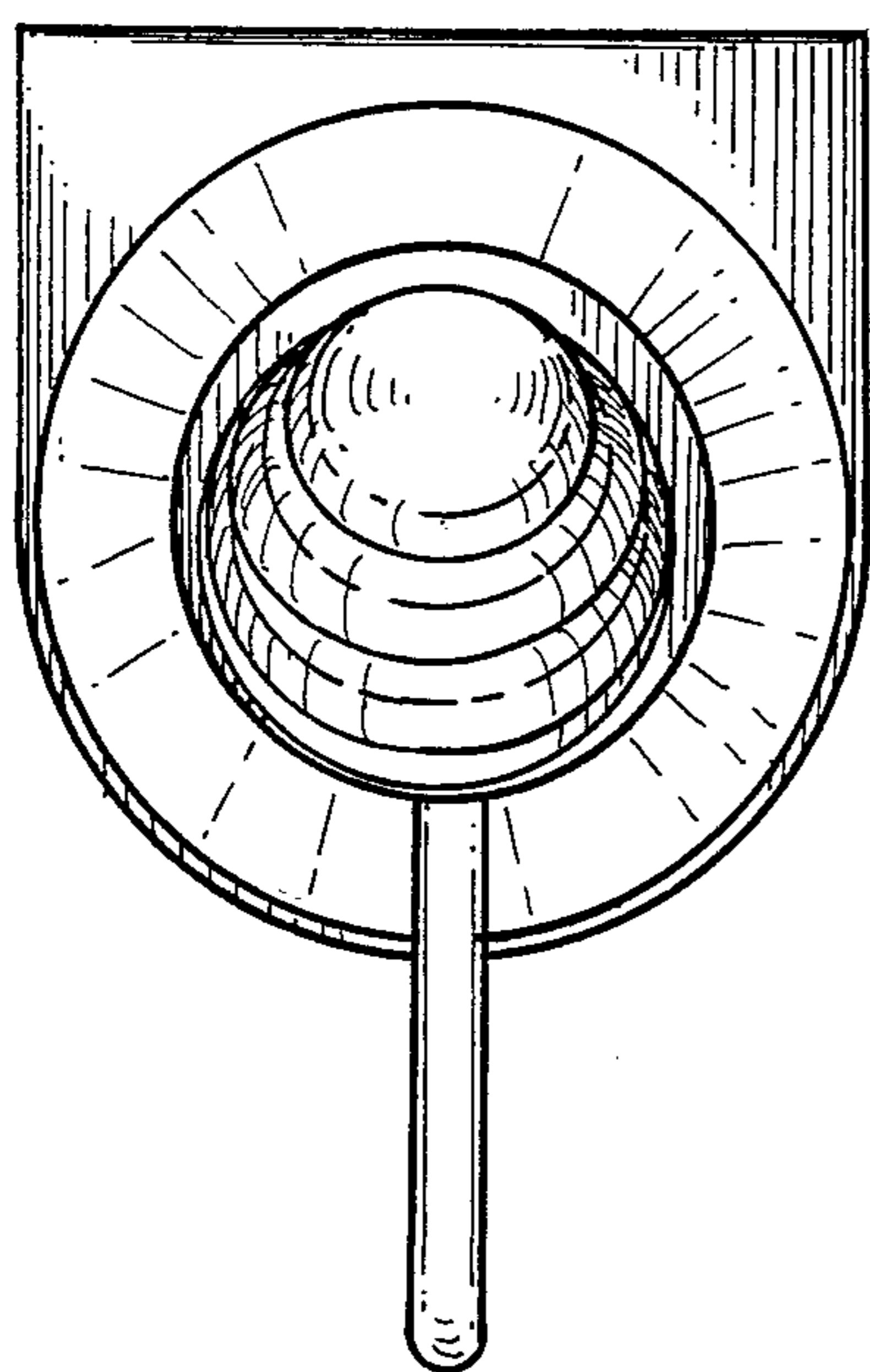


FIG. 2

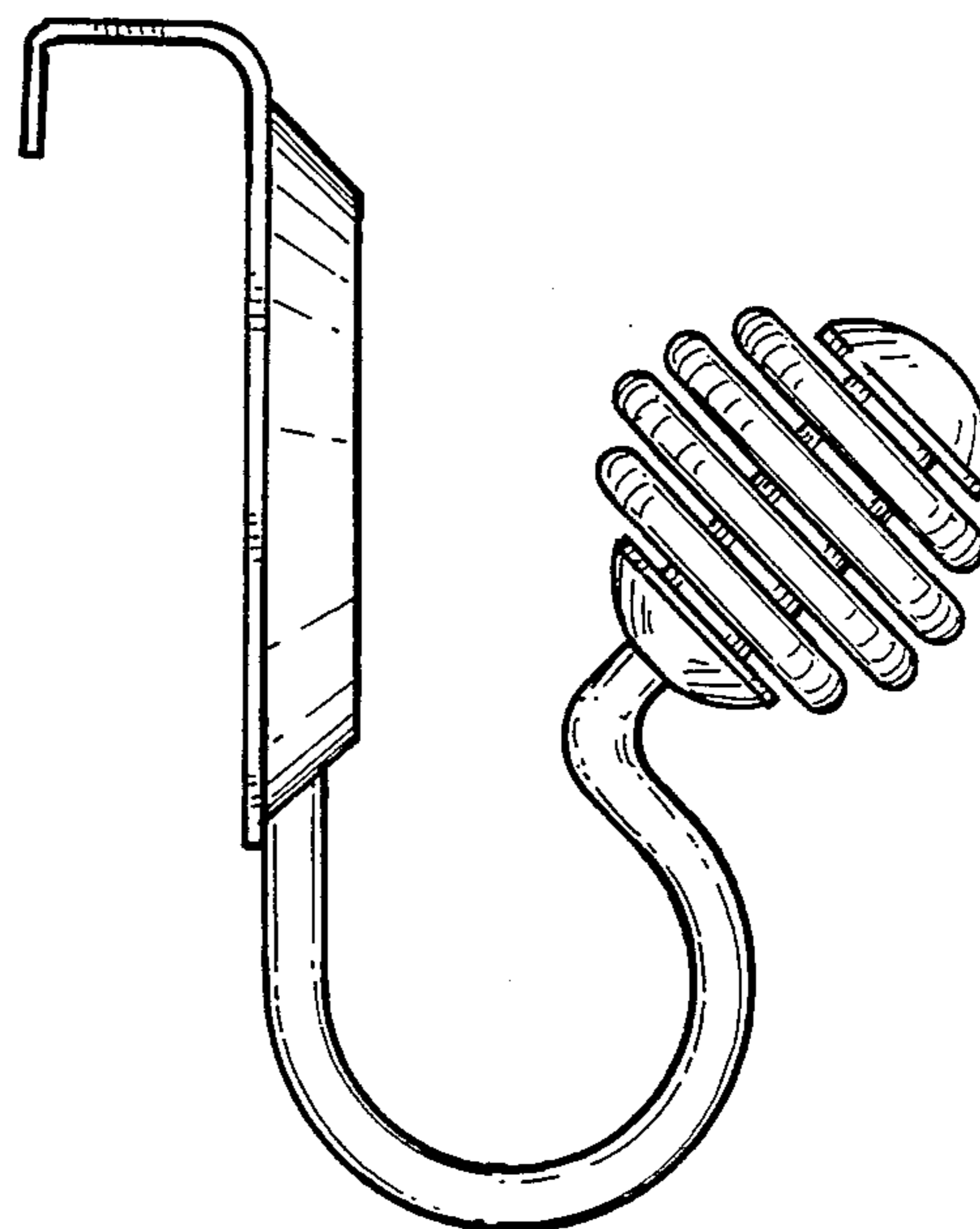


FIG. 3

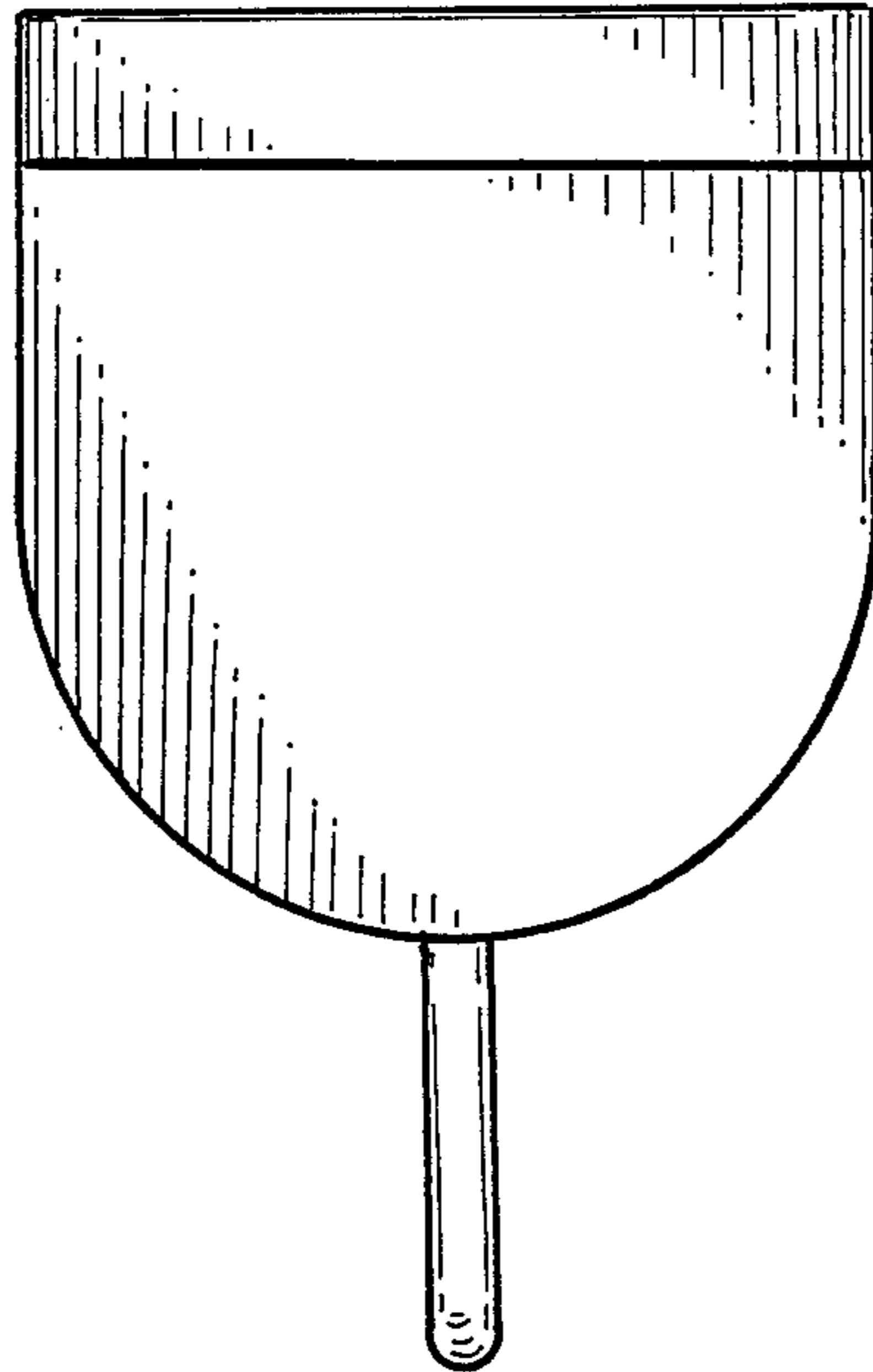


FIG. 4

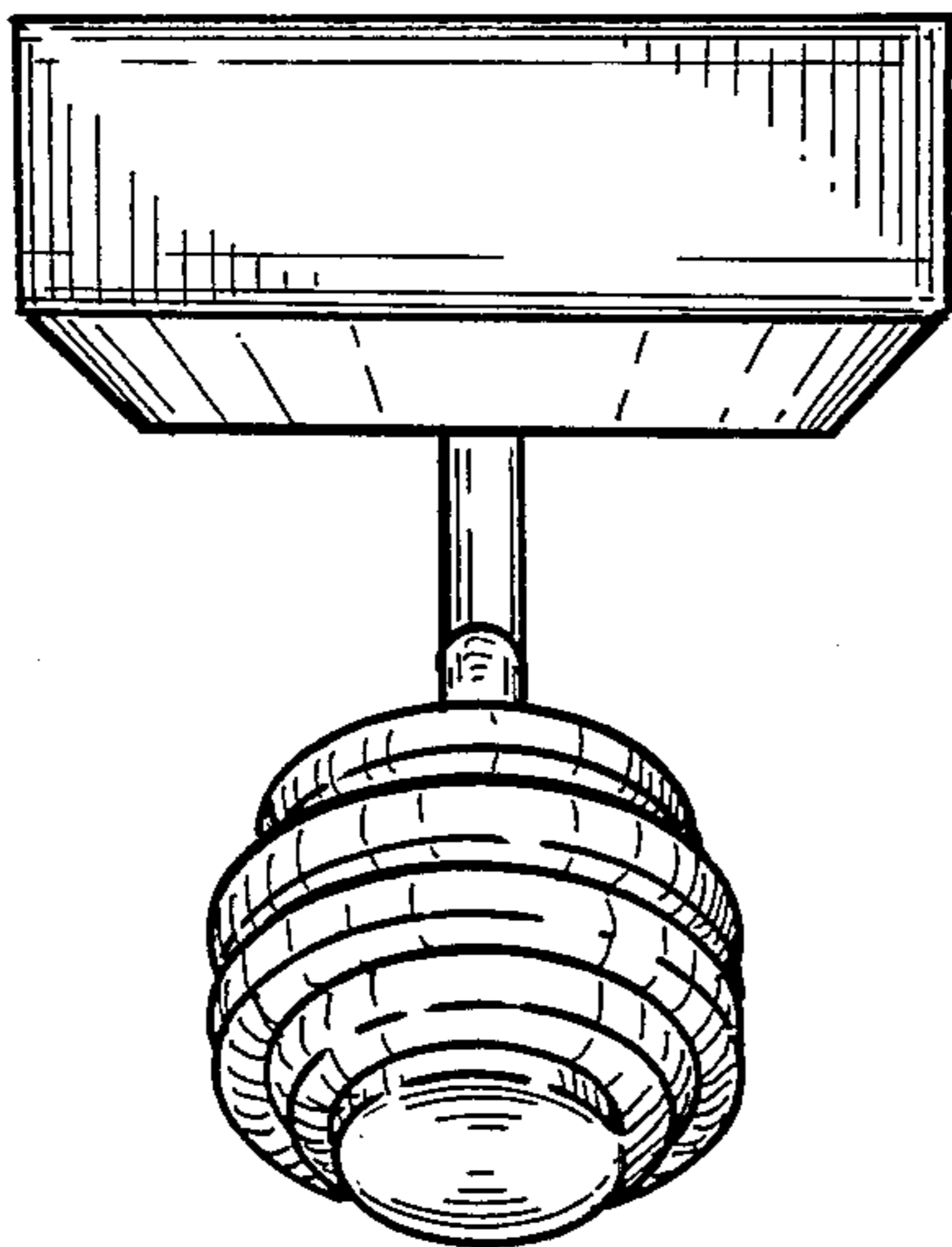


FIG. 5

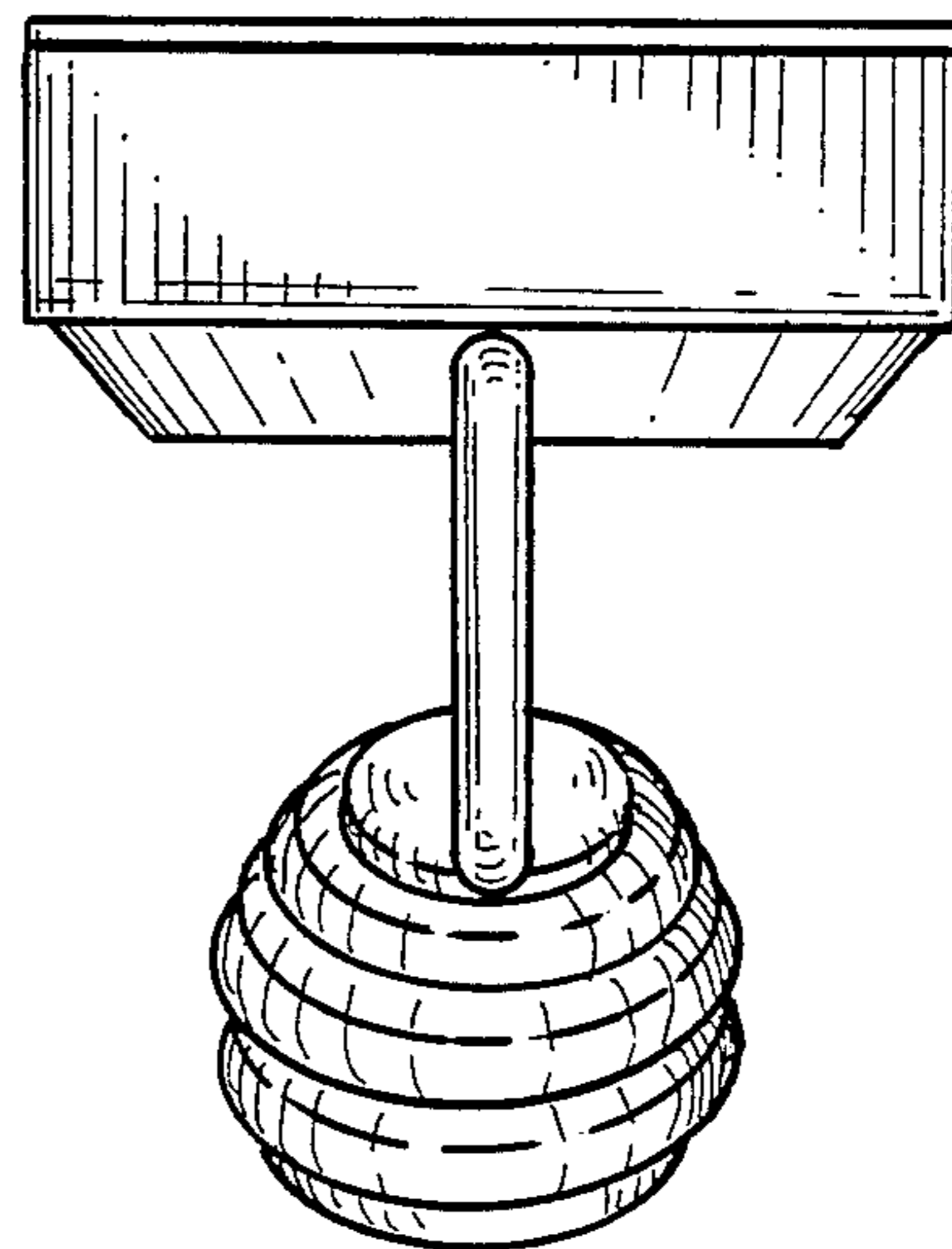


FIG. 6