

[54] CONTAINER FOR TRANSPORTATION OF CRYOGENIC GASES

[75] Inventors: Torgny Wingbro, Hisings Backa; Leif Bergstrom, Gothenburg, both of Sweden

[73] Assignee: AGA Aktiebolag, Lidingo, Sweden

[**] Term: 14 Years

[21] Appl. No.: 827,044

[22] Filed: Feb. 7, 1986

[52] U.S. Cl. D34/59; D12/95

[58] Field of Search D9/341, 414; D12/156, D12/157; D23/202; D34/39; 220/901

[56] References Cited

U.S. PATENT DOCUMENTS

D. 213,079	12/1968	Detanger	D12/157
D. 213,080	12/1968	Detanger	D12/157
3,163,313	12/1964	Reynolds et al.	220/901
3,167,933	2/1965	Beckman et al.	220/901

3,319,430	5/1967	Small	220/901
3,481,505	12/1969	Nasow et al.	220/901
3,764,036	10/1973	Dale et al.	220/901
4,000,826	1/1977	Rogers	220/901
4,098,426	7/1978	Gerhard	220/901

Primary Examiner—Louis J. Zarfaz

Assistant Examiner—R. Seifert

Attorney, Agent, or Firm—Pollock, Vande Sande & Priddy

[57] CLAIM

The ornamental design for a container for transportation of cryogenic gases, as shown and described.

DESCRIPTION

FIG. 1 is a front and side perspective view of a container for transportation of cryogenic cases showing my new design.

FIG. 2 is a rear and side perspective view thereof, opposite than seen in FIG. 1;

FIG. 3 is a front elevational view thereof with a door lifted up; and

FIG. 4 is a bottom plan view thereof.

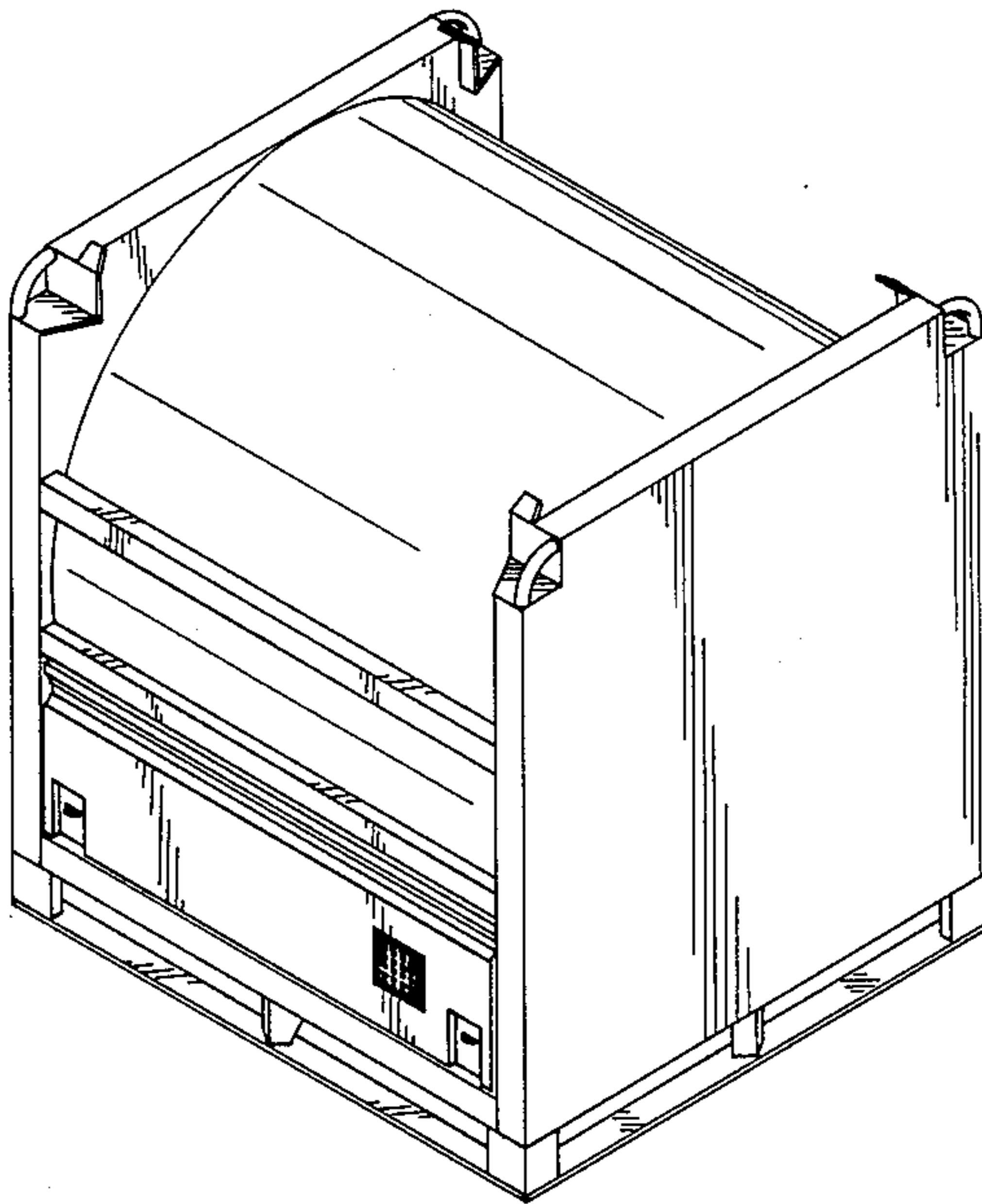


FIG. 1

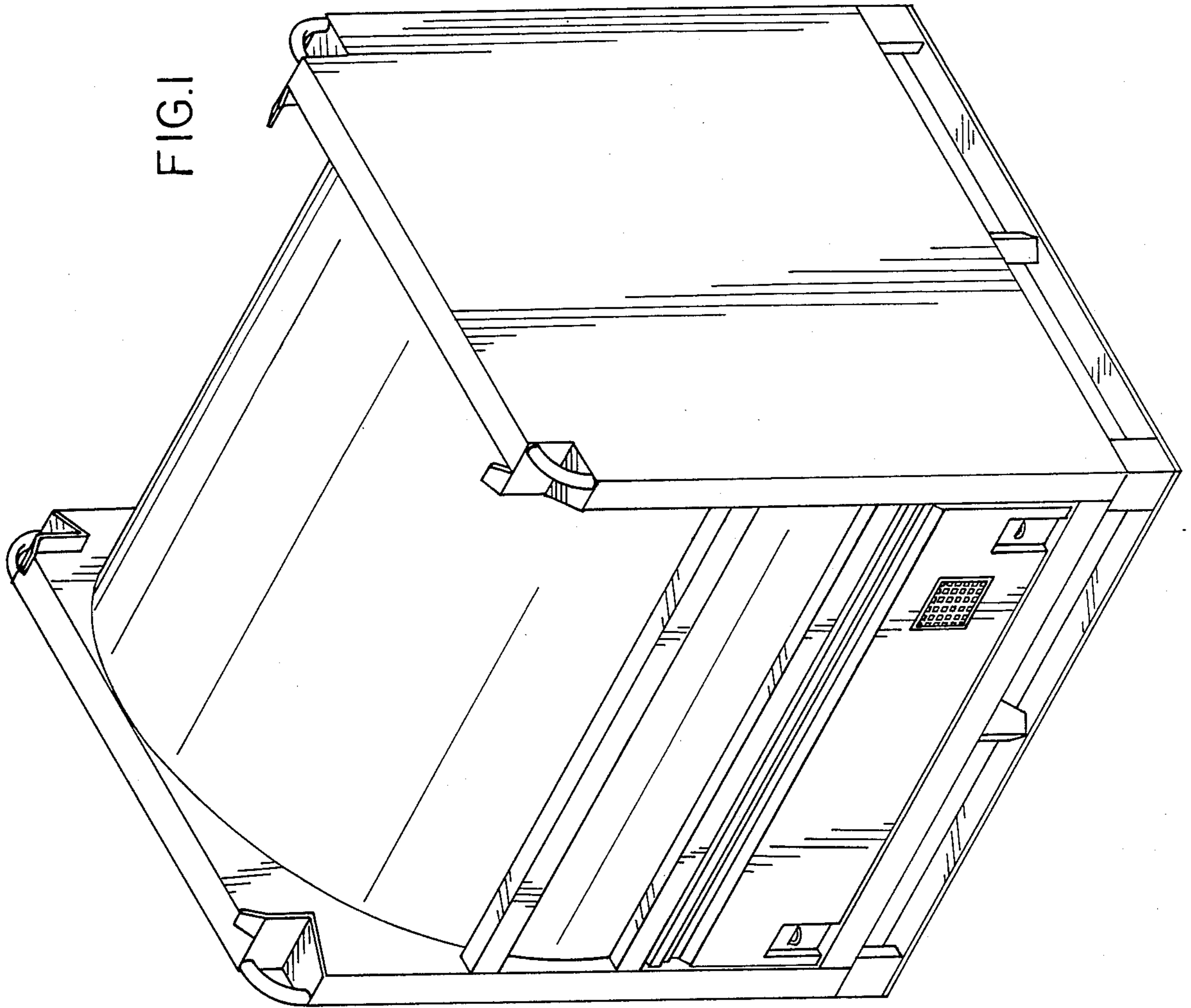
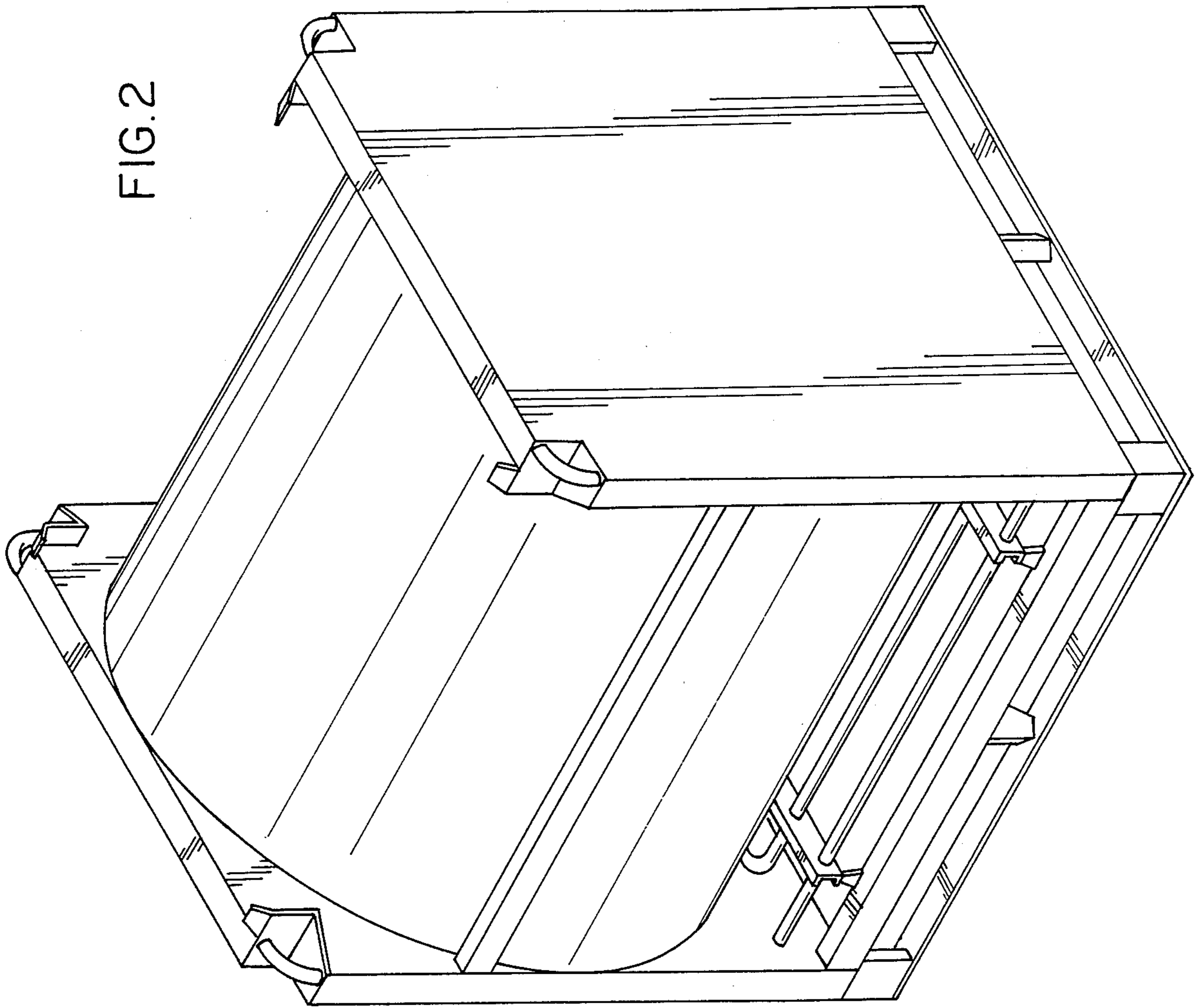


FIG. 2



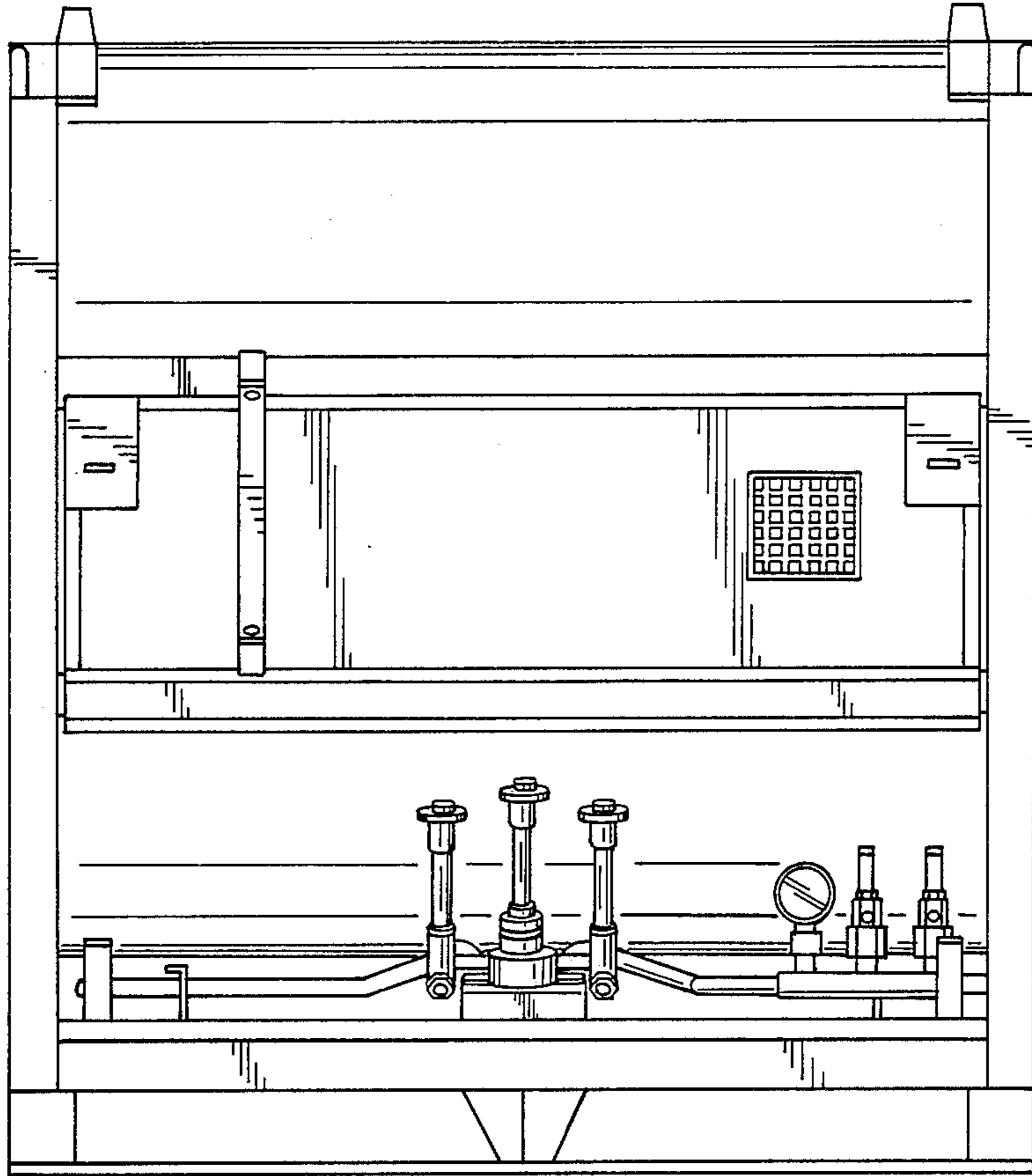


FIG.3

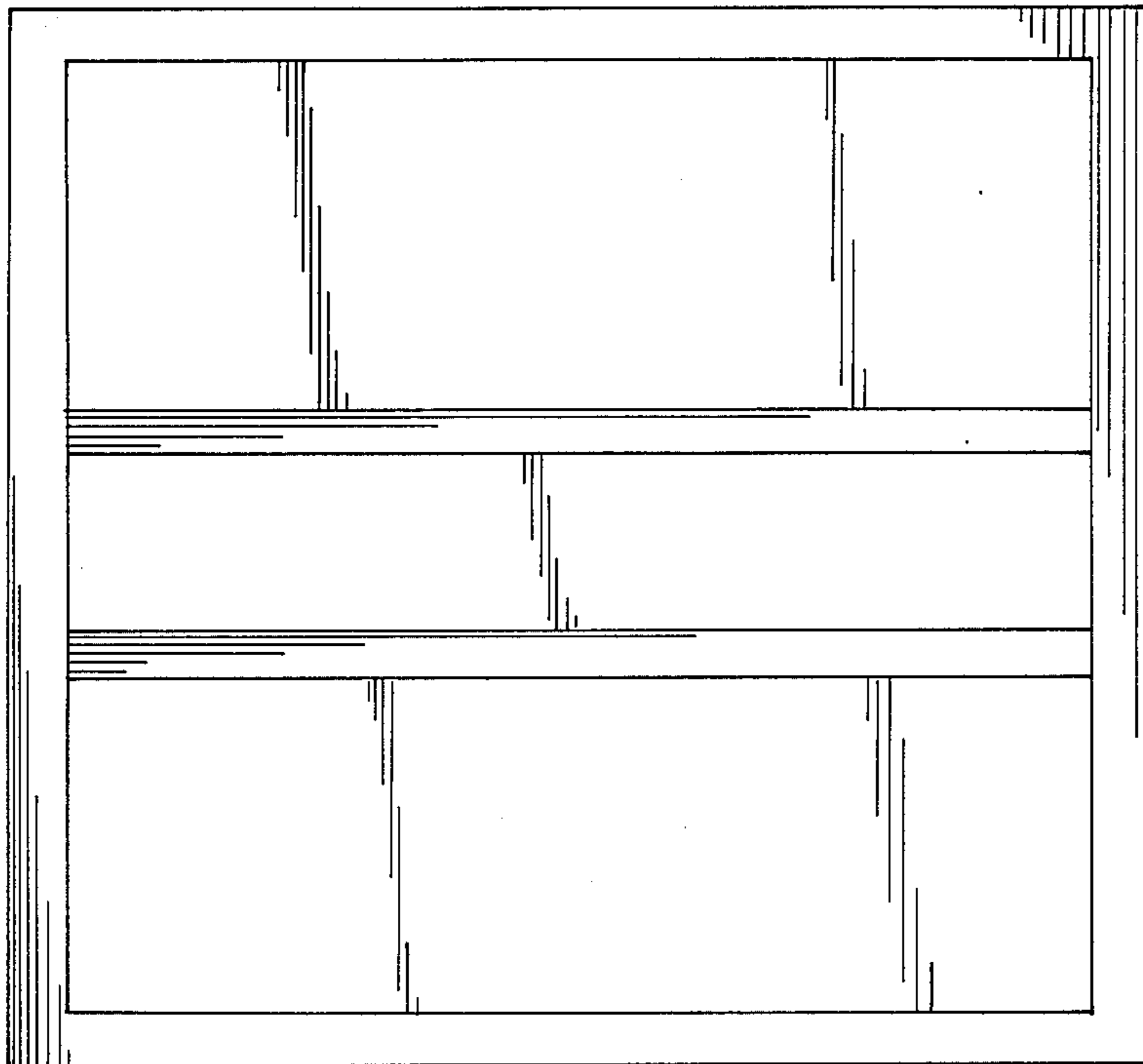


FIG.4