

[54] PAINT TRAY

4,010,866 3/1977 McClane 15/257.06 X

[75] Inventor: Charles R. Goetz, Carnegie, Pa.

Primary Examiner—Wallace R. Burke

Assistant Examiner—Lavone D. Tabor

[73] Assignee: Alco Industries, Inc., Valley Forge, Pa.

Attorney, Agent, or Firm—Webb, Burden, Ziesenheim & Webb

[**] Term: 14 Years

[57] CLAIM

[21] Appl. No.: 29,425

The ornamental design for a paint tray, as shown and described.

[22] Filed: Mar. 23, 1987

[52] U.S. Cl. D32/53.1

DESCRIPTION

[58] Field of Search D32/53, 53.1, 54; 15/104.92, 248 R, 257 R, 257.05, 257.06; 206/515, 518, 557; 220/69, 72, 85 R, 90, 92, 94 R, 94 A; 248/210-211; 401/118-119, 121

FIG. 1 is a perspective view of a paint tray, showing my new design;

FIG. 2 is a top plan view thereof;

FIG. 3 is a side elevational view, the opposite side being a mirror image thereof;

FIG. 4 is an end elevational view thereof;

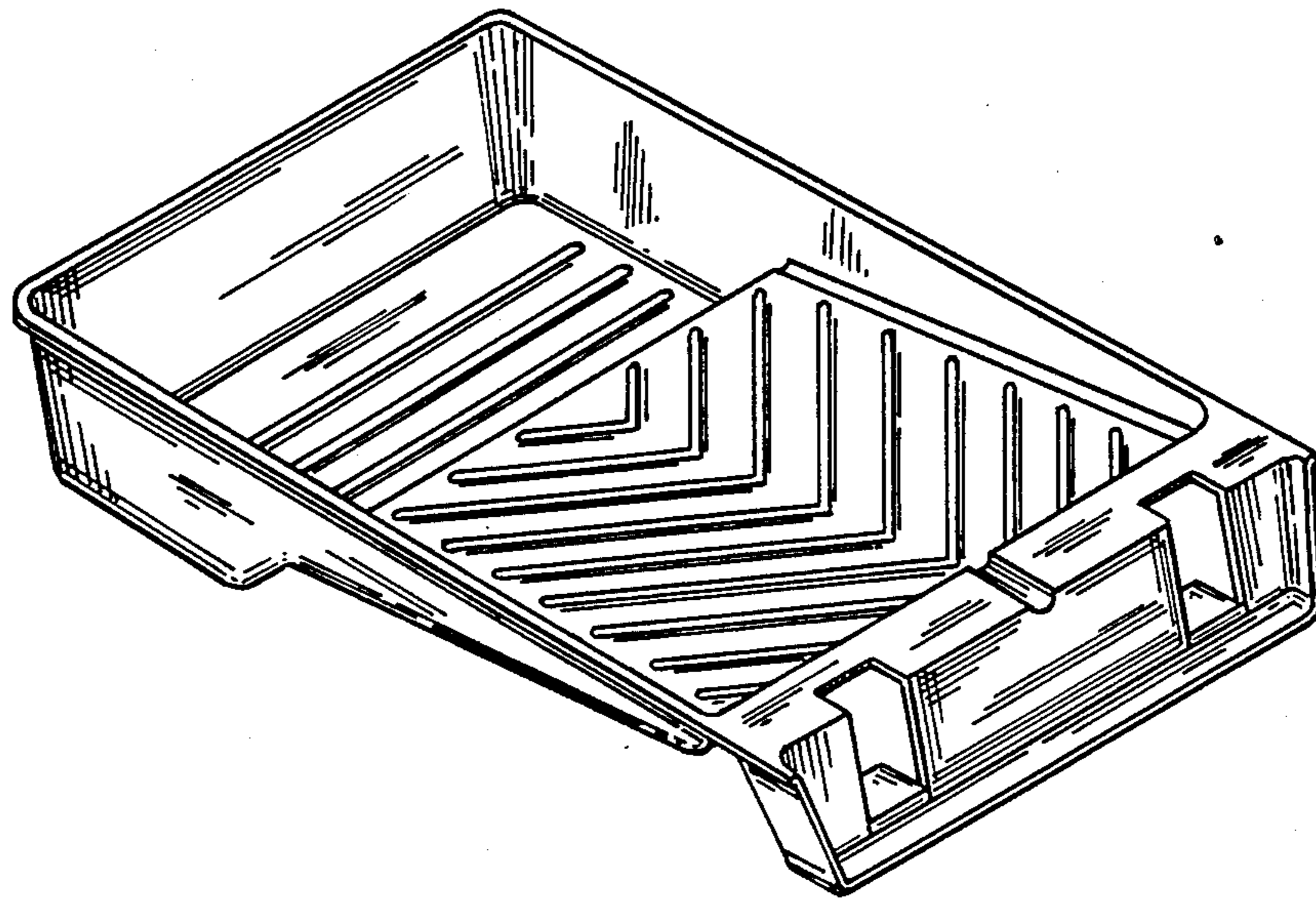
FIG. 5 is an elevational view of the opposite end thereof; and

FIG. 6 is a bottom plan view thereof.

[56] References Cited

U.S. PATENT DOCUMENTS

- D. 273,725 5/1984 Goetz D32/53.4
- D. 282,882 3/1986 Allison et al. D32/53.1



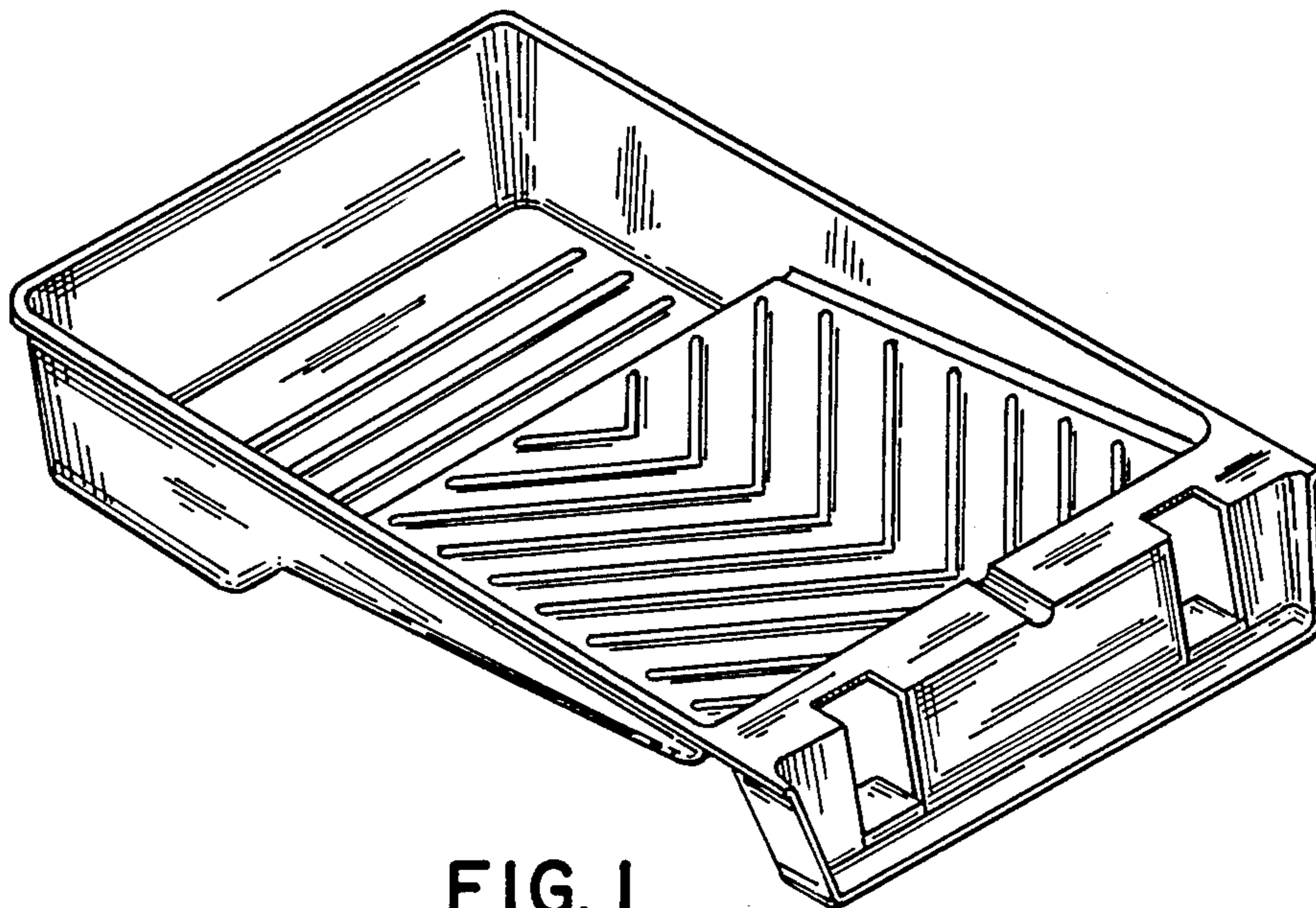


FIG. 1

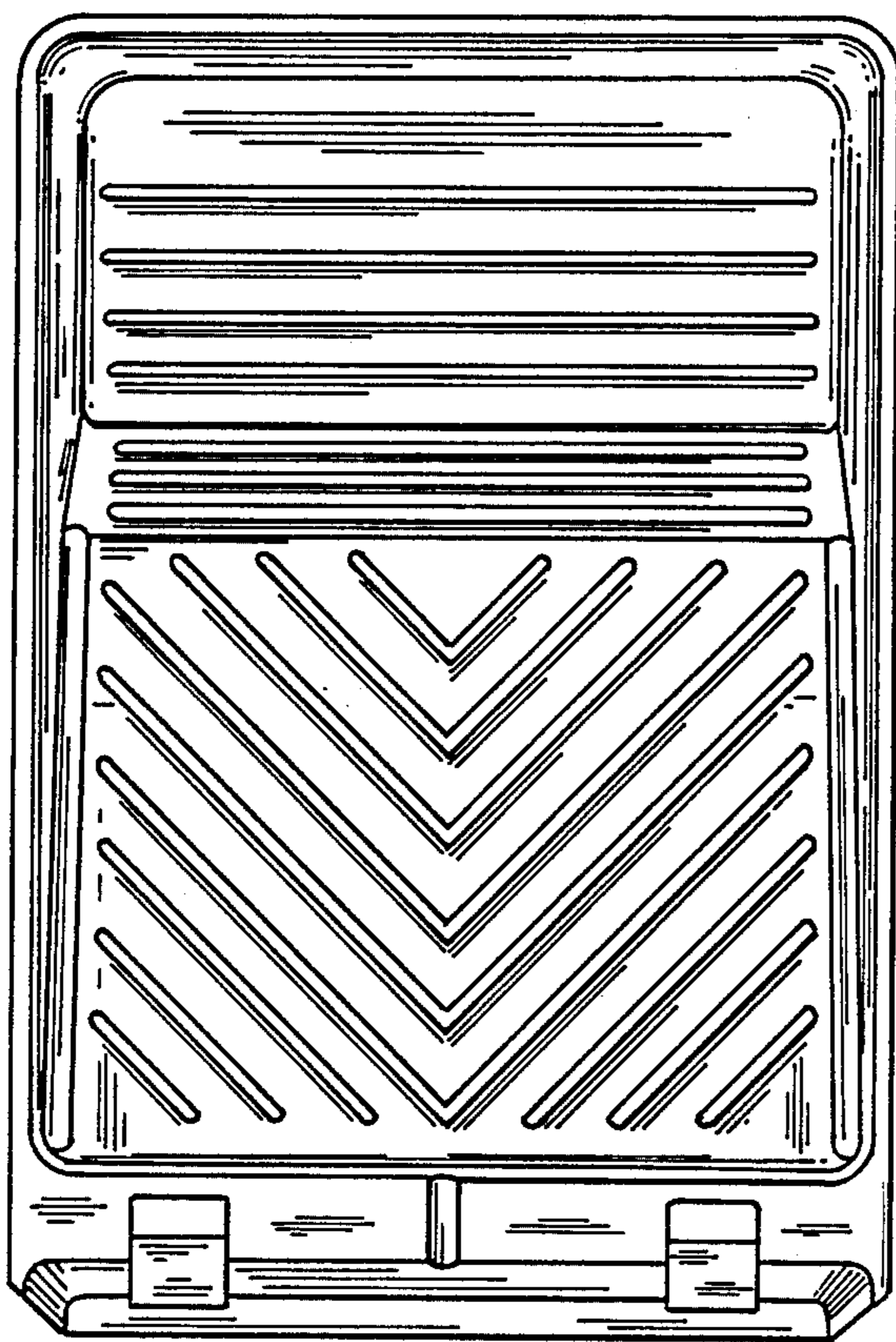


FIG. 2

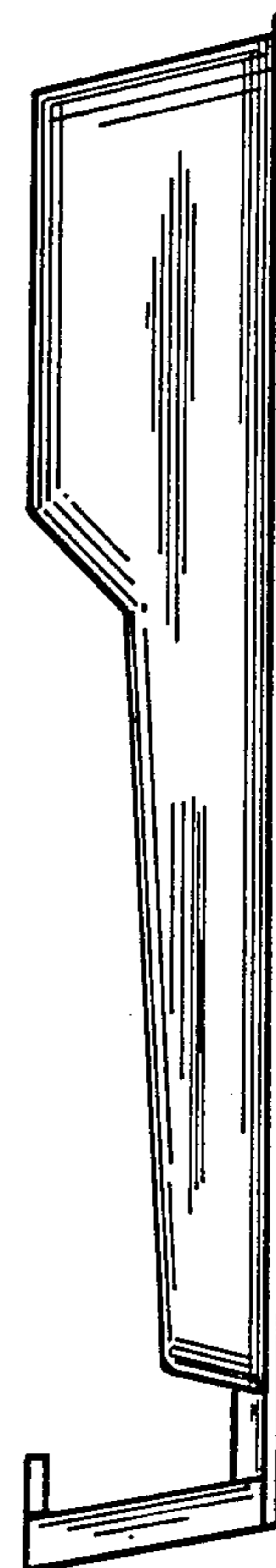


FIG. 3

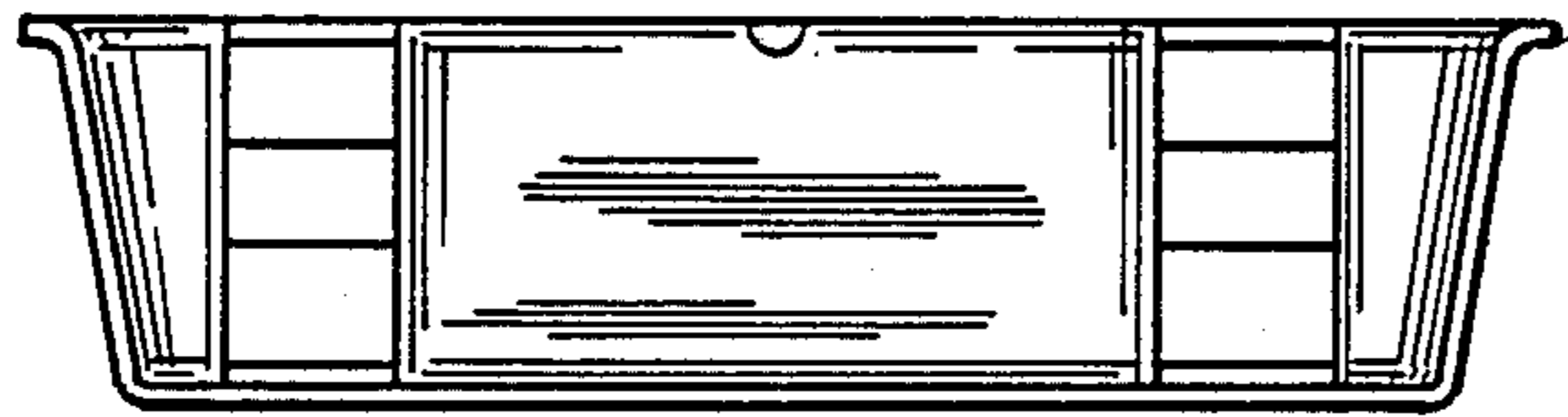


FIG. 5

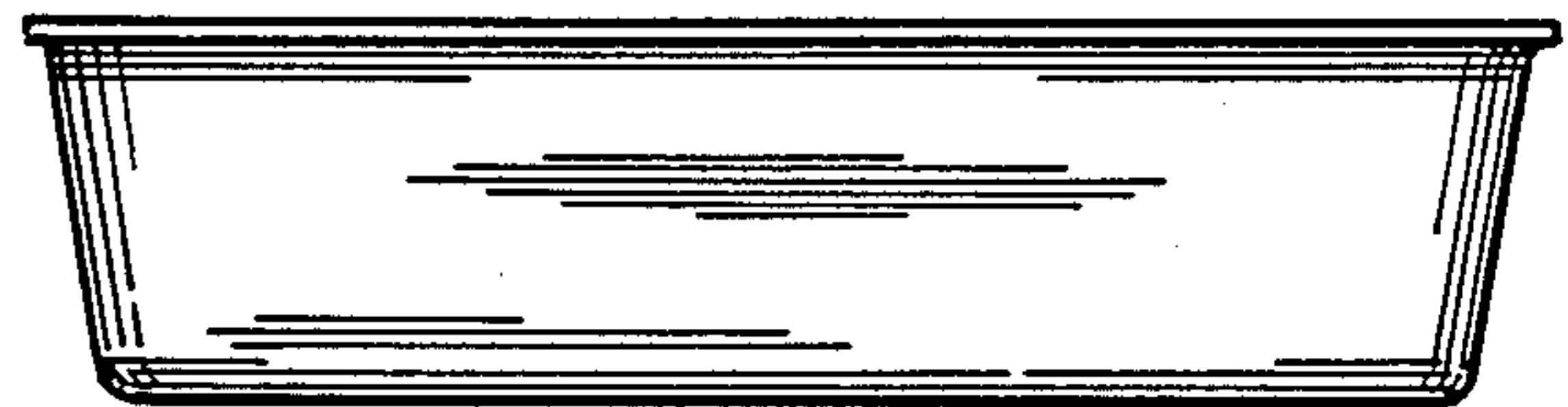


FIG. 4

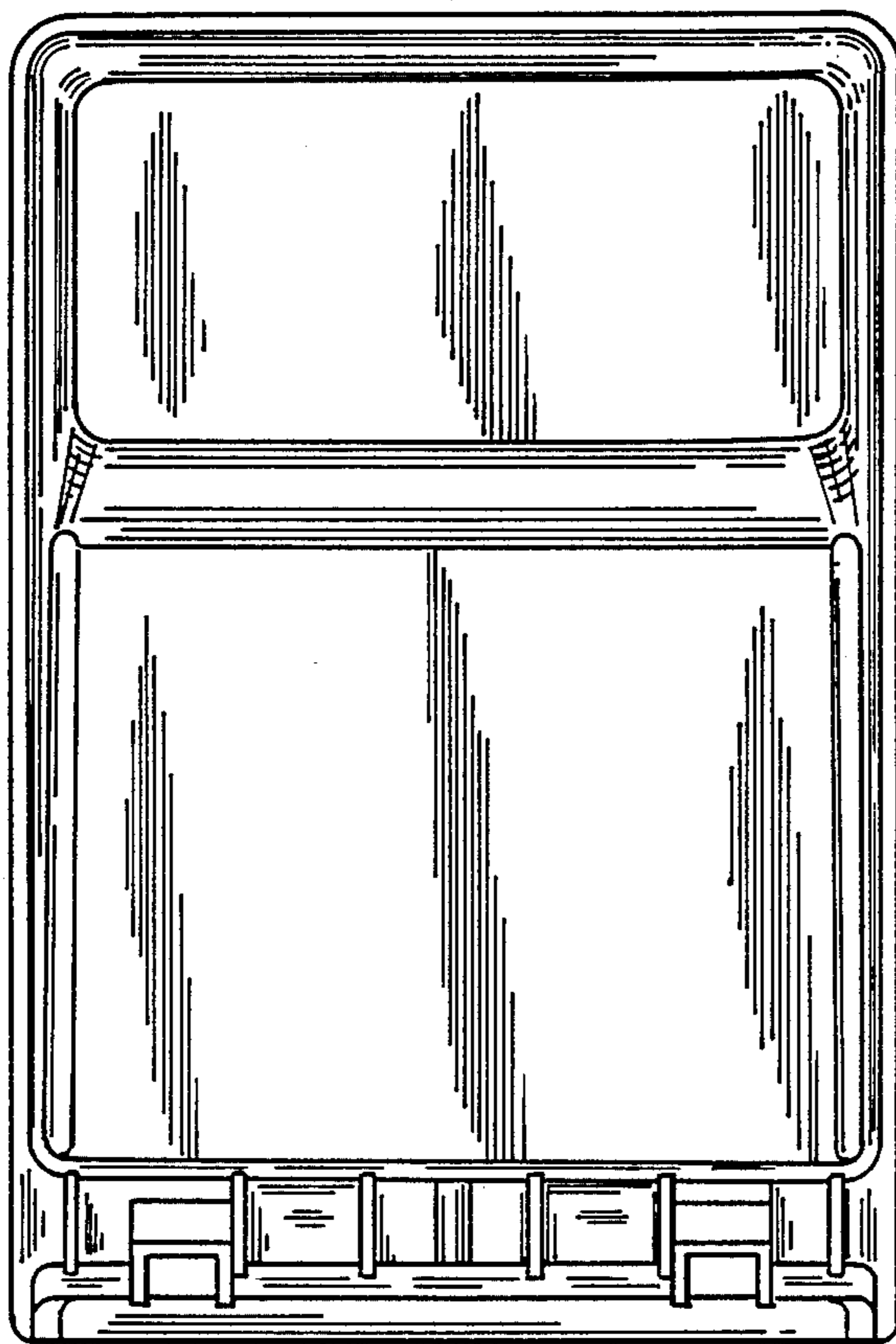


FIG. 6