

[54] COMBINED CLOTHES WASHER AND DRIER

[75] Inventors: Akira Ezaki; Tazuo Orihara; Kiminori Yamaguchi, all of Osaka, Japan

[73] Assignee: Sharp Corporation, Osaka, Japan

[**] Term: 14 Years

[21] Appl. No.: 42,094

[22] Filed: Apr. 24, 1987

[30] Foreign Application Priority Data

Oct. 27, 1986 [JP] Japan 61-42737
[52] U.S. Cl. D32/5
[58] Field of Search D15/1, 5, 6, 8, 10, D15/12; 68/16, 20, 19, 21, 22 R, 22 A, 23 R, 139, 142

[56] References Cited
U.S. PATENT DOCUMENTS

- D. 183,665 10/1958 Sundberg D32/8
D. 289,212 4/1987 Nakamura et al. D32/6
D. 290,052 5/1987 Ohsawa et al. D32/6
D. 292,630 11/1987 Nagai et al. D32/8

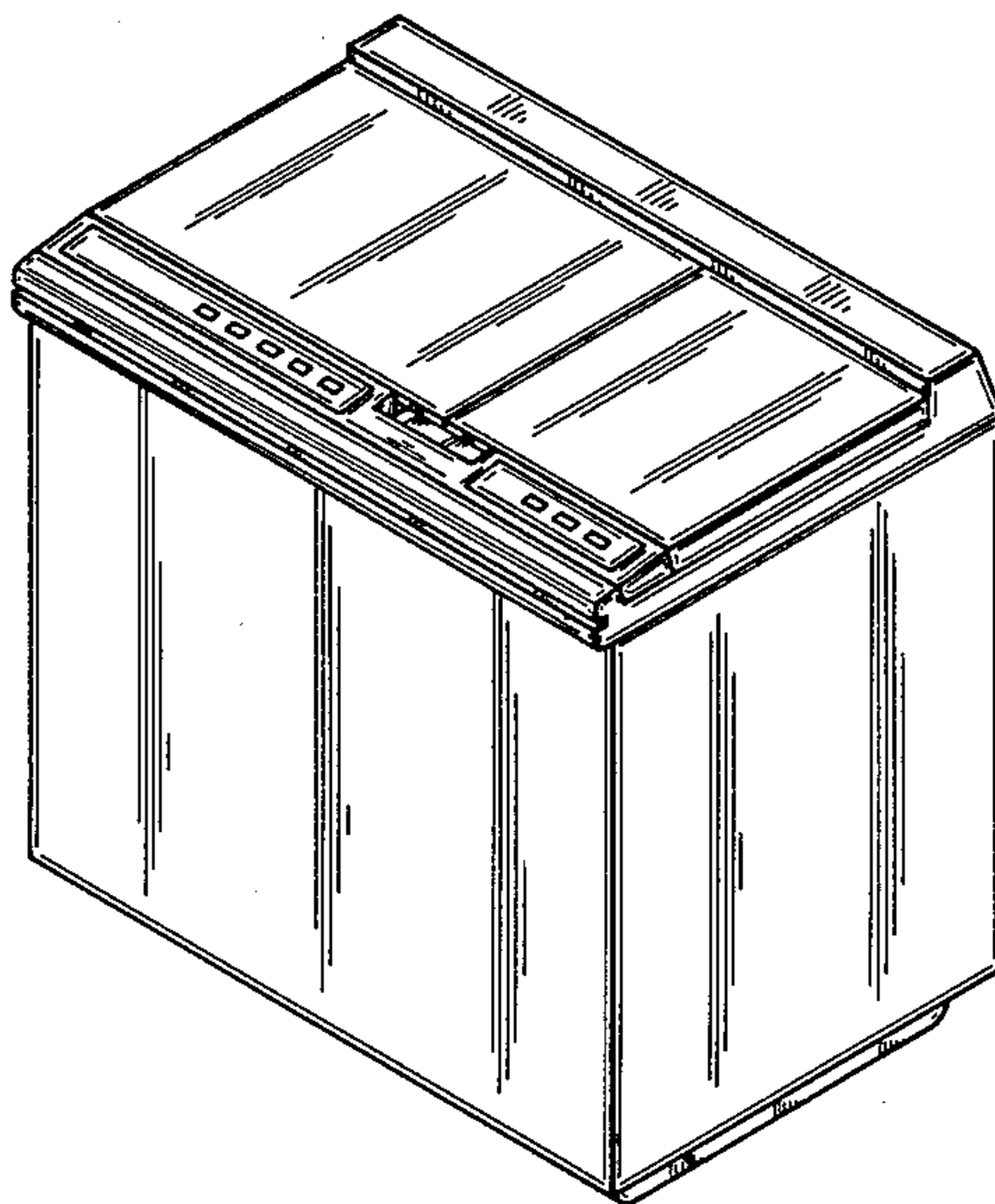
Primary Examiner—Bruce W. Dunkins
Assistant Examiner—Ruth Takemoto
Attorney, Agent, or Firm—Flehr, Hohbach, Test, Albritton & Herbert

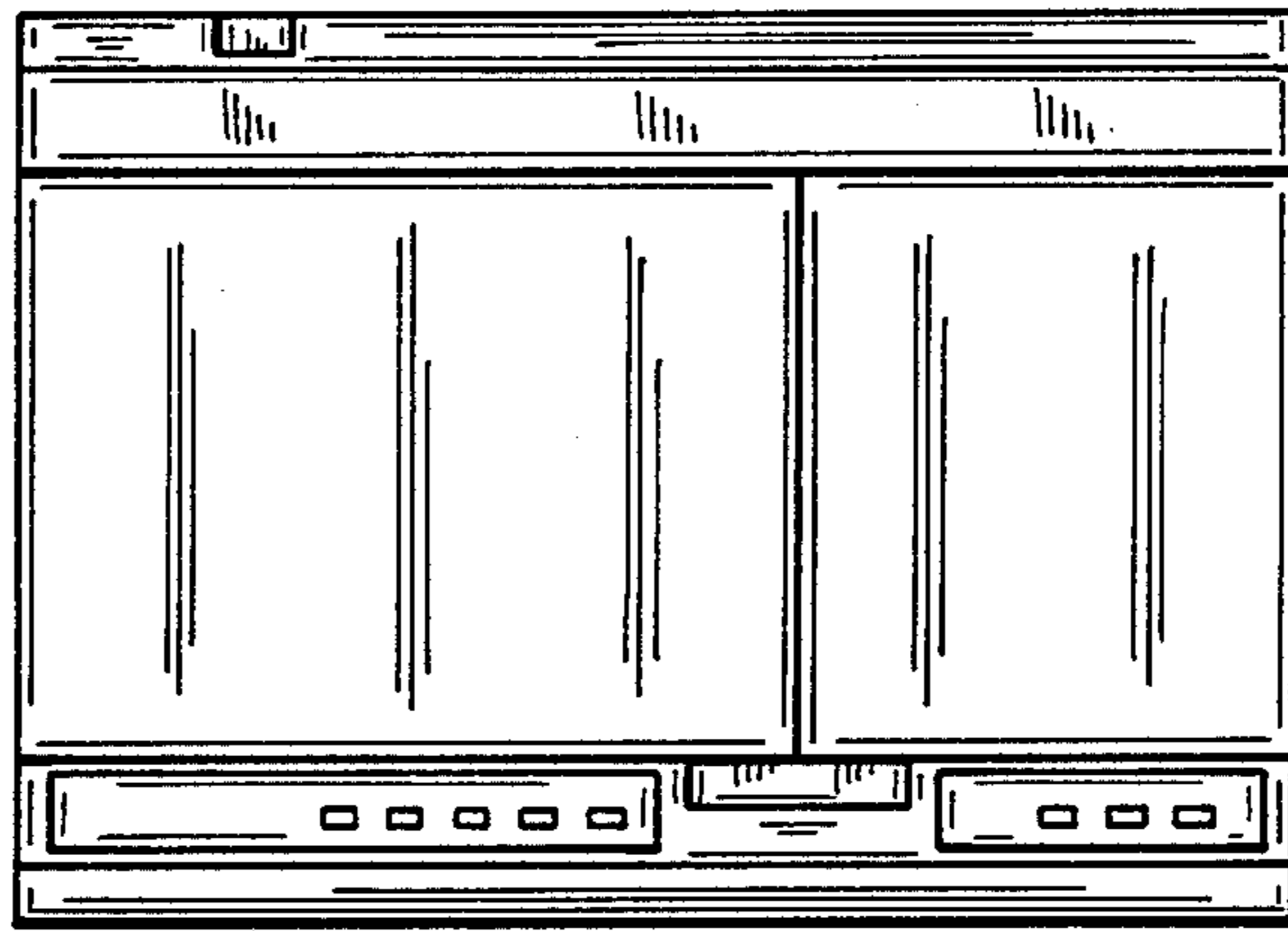
[57] CLAIM

The ornamental design for a combined clothes washer and drier, as shown and described.

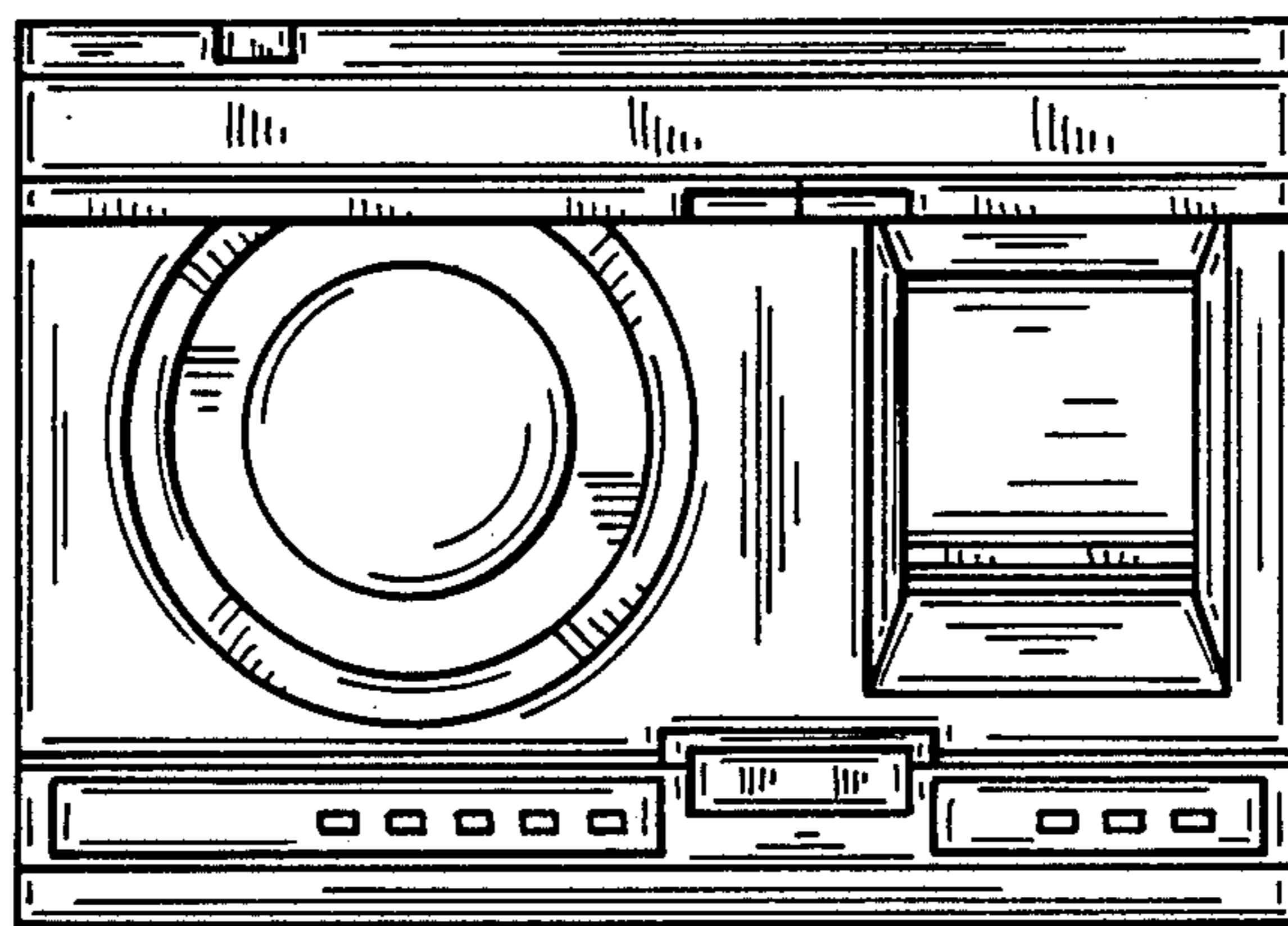
DESCRIPTION

FIG. 1 is a top plan view of the combined clothes washer and drier showing our new design; FIG. 2 is a top plan view thereof with covers open; FIG. 3 is a bottom plan view thereof; FIG. 4 is a front elevational view thereof; FIG. 5 is a rear elevational view thereof; FIG. 6 is a right side elevational view, the left side elevational view being a mirror image thereof; and FIG. 7 is a perspective view thereof.

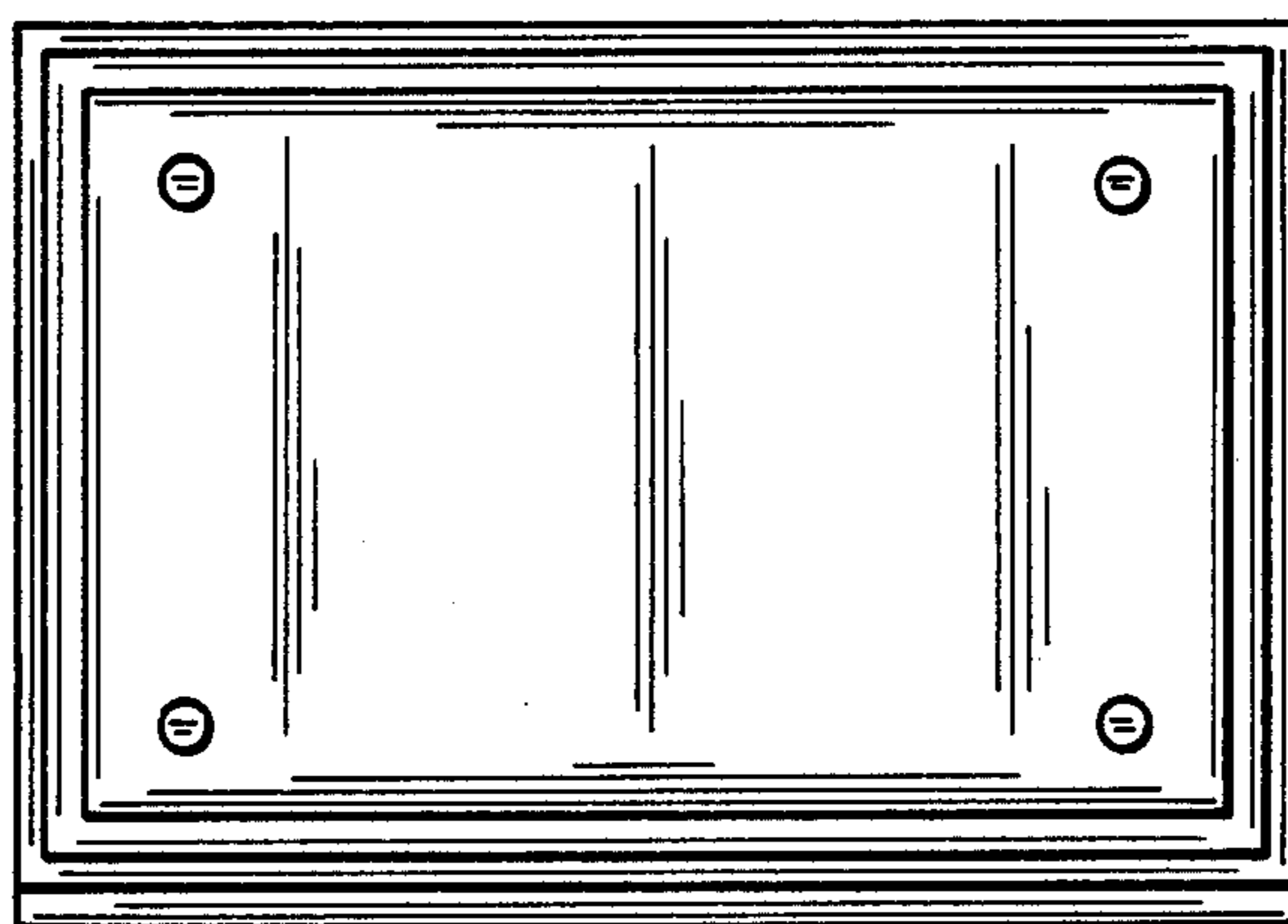




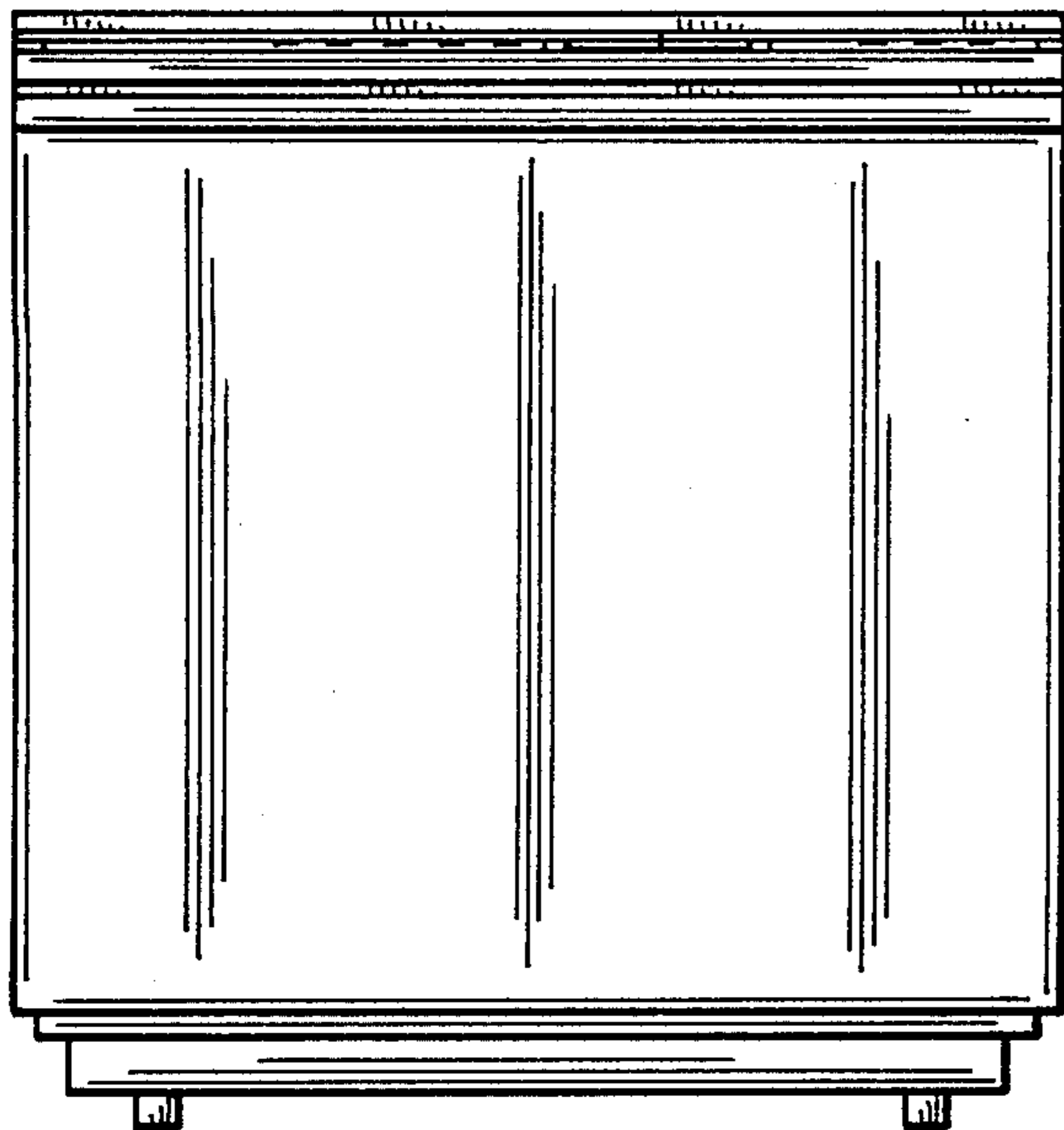
FIG_1



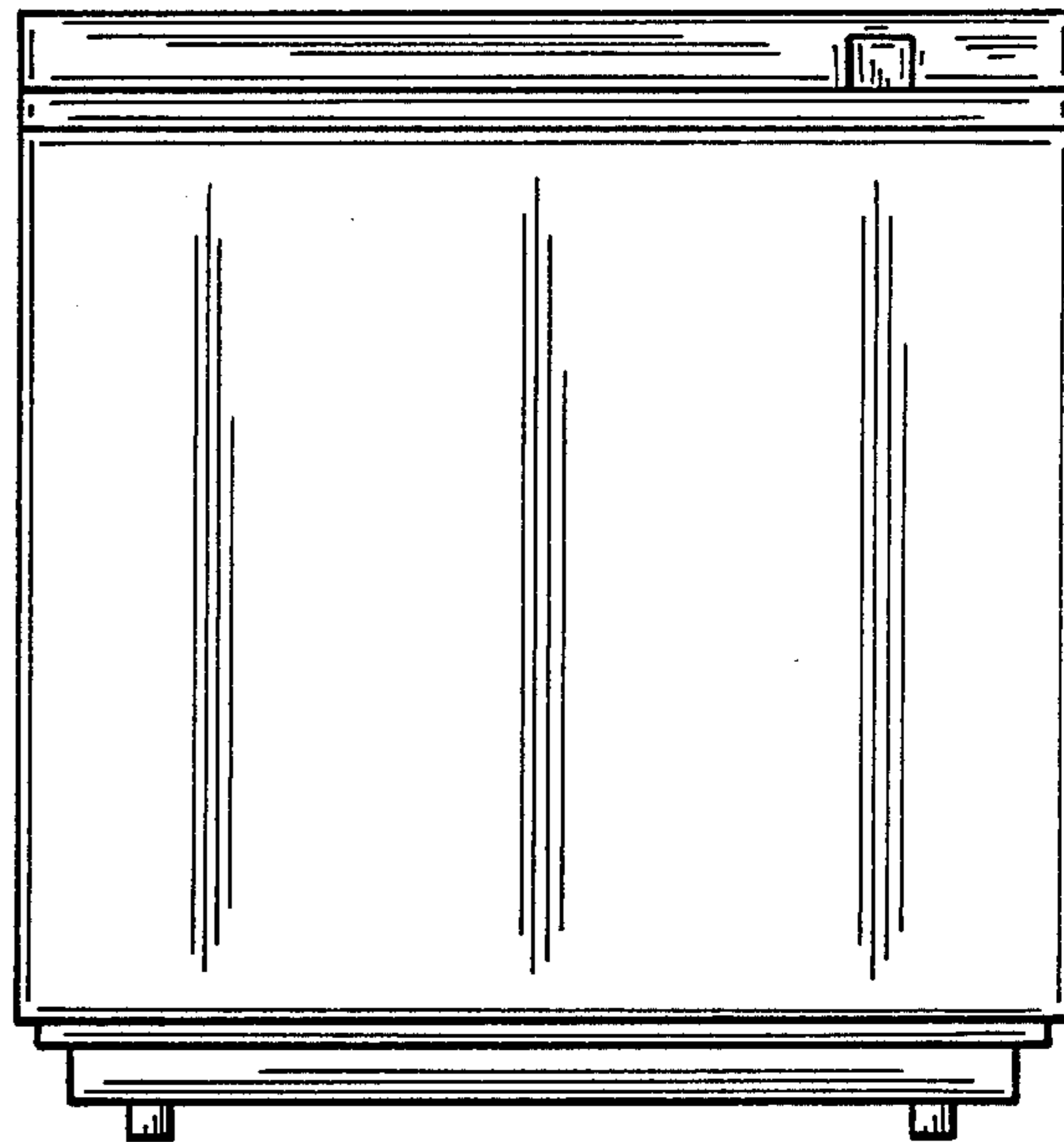
FIG_2



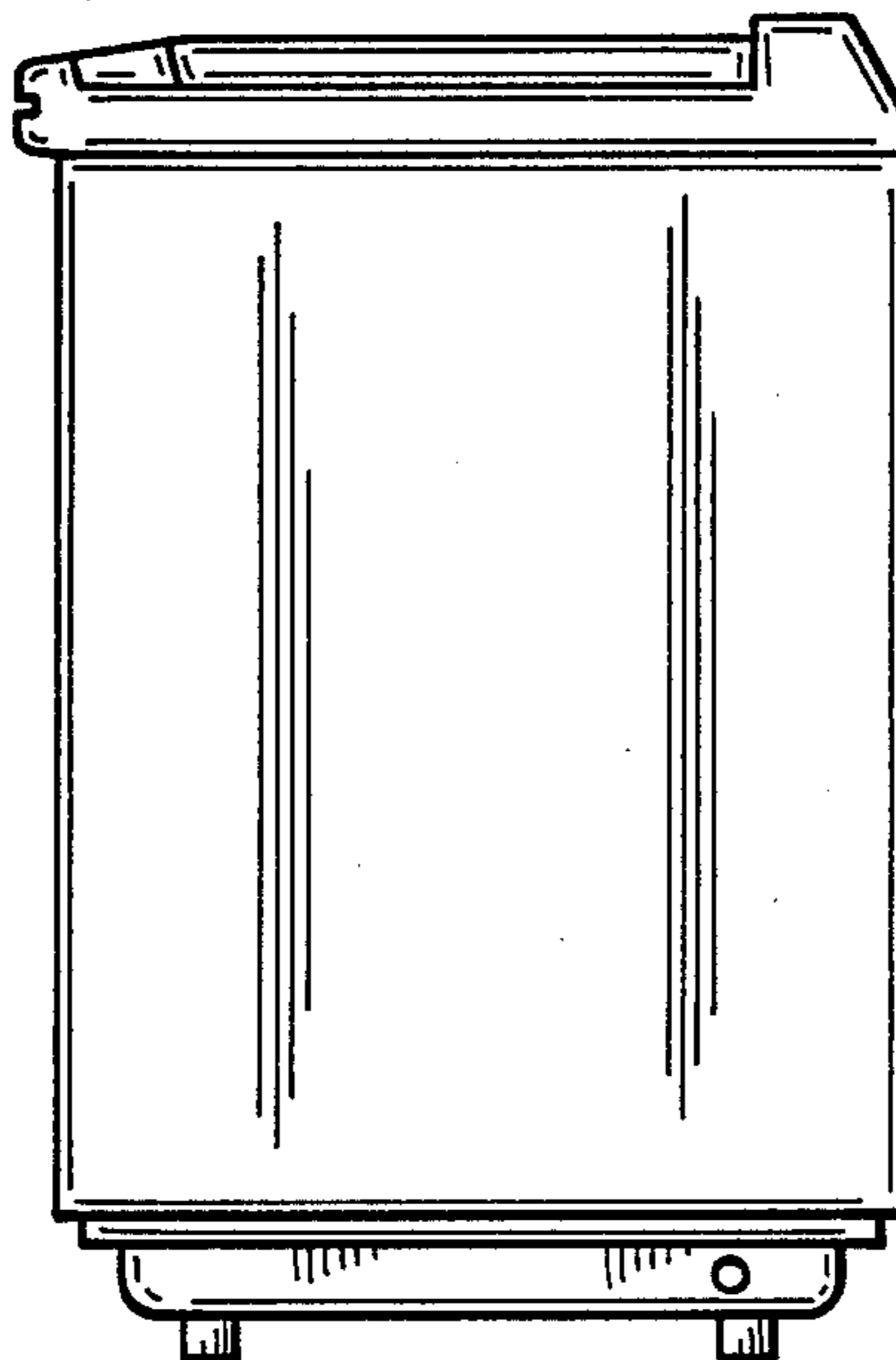
FIG_3



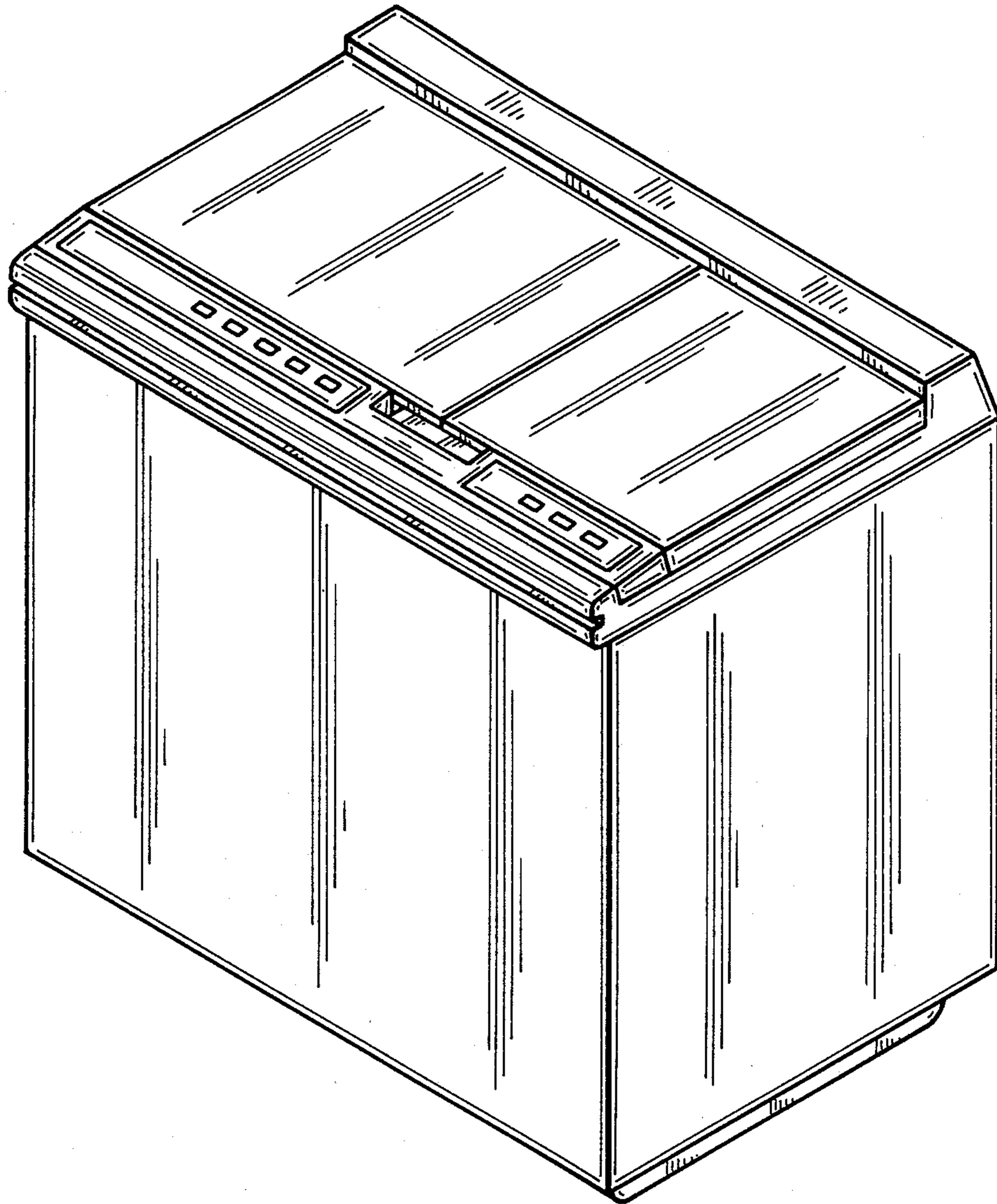
FIG_4



FIG_5



FIG_6



FIG_7