

[54] BIRD FEEDER

[76] Inventor: Victor Fasino, 62 Oneida Ave.,  
Landing, N.J. 07850

[\*\*] Term: 14 Years

[21] Appl. No.: 77,776

[22] Filed: Jul. 24, 1987

[52] U.S. Cl. .... D30/127

[58] Field of Search ..... D30/124-128;  
119/51 R, 52 R

[56] References Cited

U.S. PATENT DOCUMENTS

D. 120,350	5/1940	Moore	.....	D30/126
D. 120,852	6/1940	Bishop	.....	D30/124
D. 193,558	9/1962	Parry	.....	D30/127
D. 231,369	4/1974	Kilham	.....	D30/127
D. 245,715	9/1977	Eldridge, Jr.	.....	D30/127
D. 251,021	2/1979	Blasbalg	.....	D30/127
D. 252,591	8/1979	Hyde, Jr.	.....	D30/127
D. 262,917	2/1982	Kilham	.....	D30/127
D. 266,705	10/1982	Bescherer	.....	D30/126
D. 267,355	12/1982	Blasbalg	.....	D30/127
D. 278,168	3/1985	Latham et al.	.....	D30/127
D. 278,559	4/1985	Latham et al.	.....	D30/127
D. 282,019	12/1985	Kilham	.....	D30/127
3,568,641	3/1971	Kilham	.....	119/51 R
4,188,913	2/1980	Earl et al.	.....	119/51 R

4,327,669 5/1982 Blasbalg ..... 119/51 R

Primary Examiner—James R. Largen  
Attorney, Agent, or Firm—Bernard J. Murphy

[57] CLAIM

The ornamental design for a bird feeder, as shown and described.

DESCRIPTION

FIG. 1 is a front elevational view of a bird feeder showing my new design;  
FIG. 2 is a rear elevational view thereof;  
FIG. 3 is a right side elevational view thereof, the left side being a mirror image of the right side shown;  
FIG. 4 is a top plan view thereof;  
FIG. 5 is a bottom plan view thereof;  
FIG. 6 is a front elevational view of a modified form of the bird feeder shown in FIG. 1;  
FIG. 7 is a rear elevational view of FIG. 6;  
FIG. 8 is a right side elevational view of FIG. 6, the left side being a mirror image of the right side shown;  
FIG. 9 is a front elevational view of a second modified form of the bird feeder shown in FIG. 1;  
FIG. 10 is a rear elevational view of FIG. 9; and  
FIG. 11 is a right side elevational view of FIG. 9, the left side being a mirror image of the right side shown.  
The top and bottom of the modified forms are the same as the top and bottom shown in FIGS. 4 and 5, respectively.

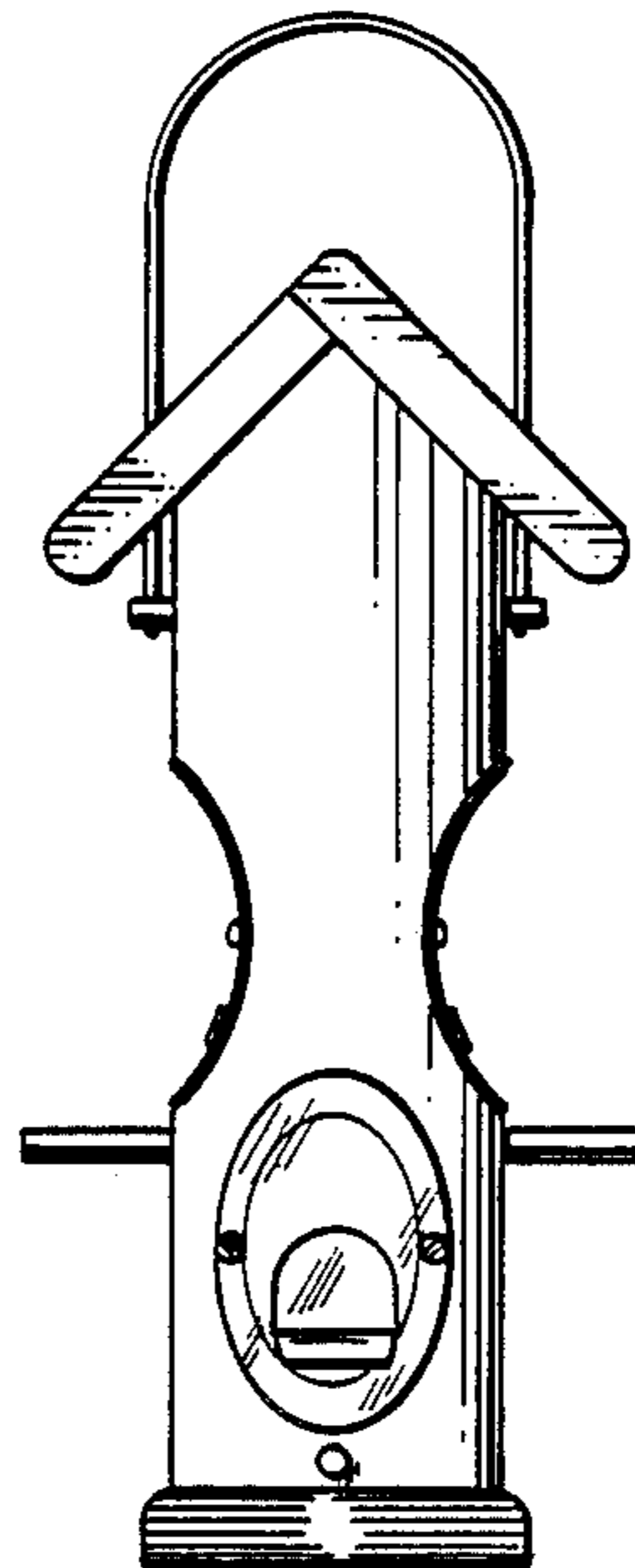
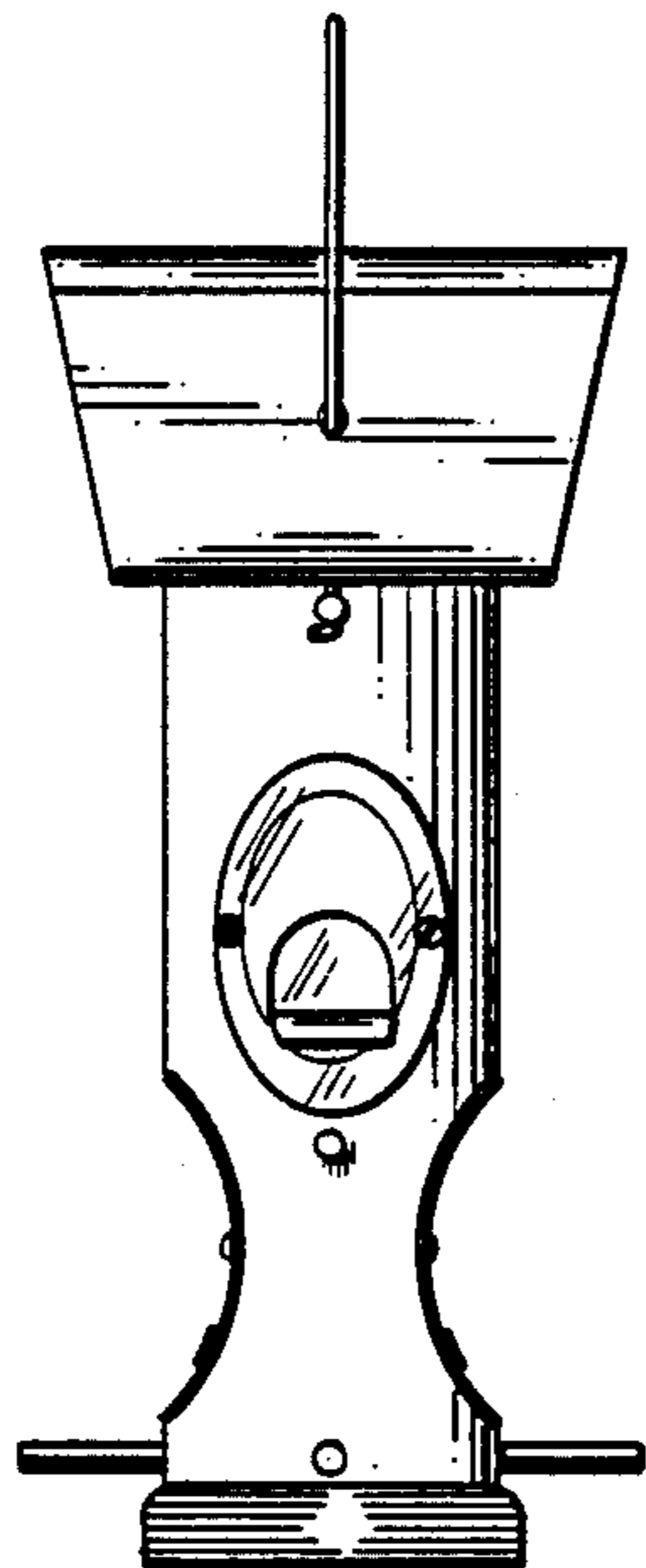


FIG. 1

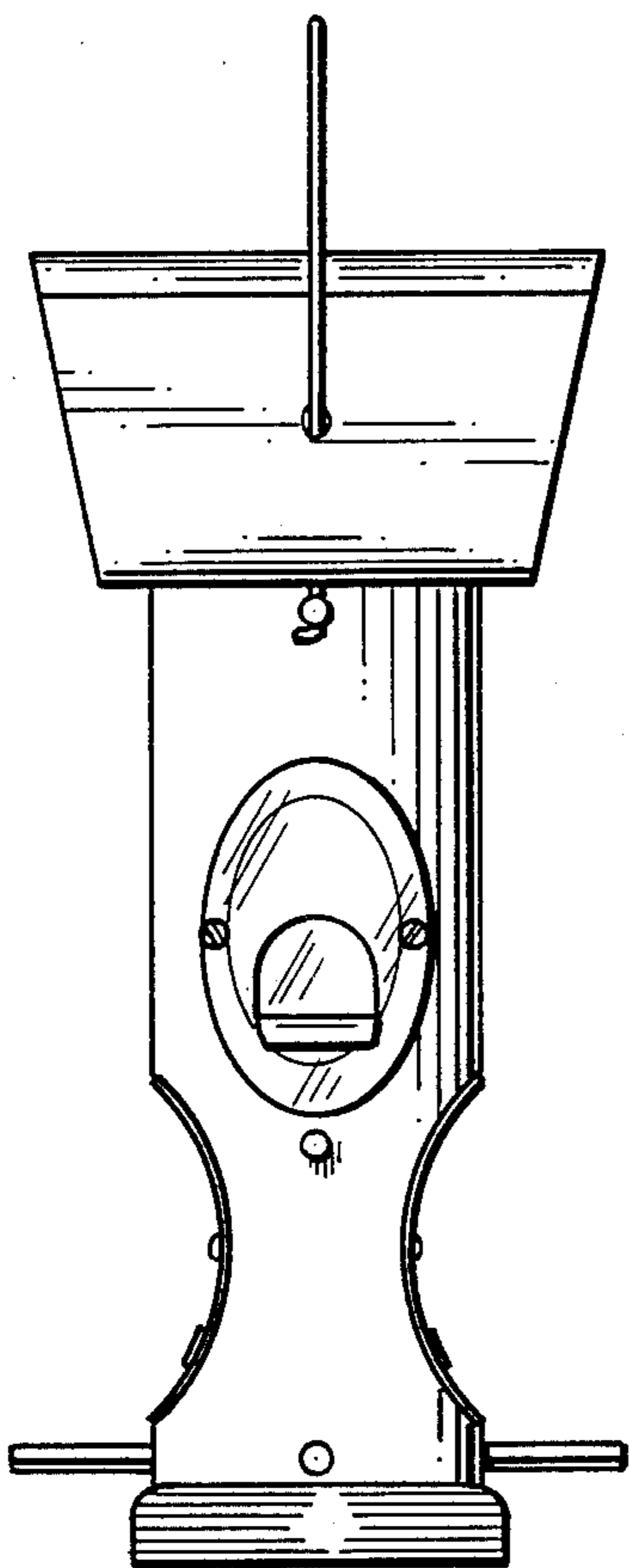


FIG. 3

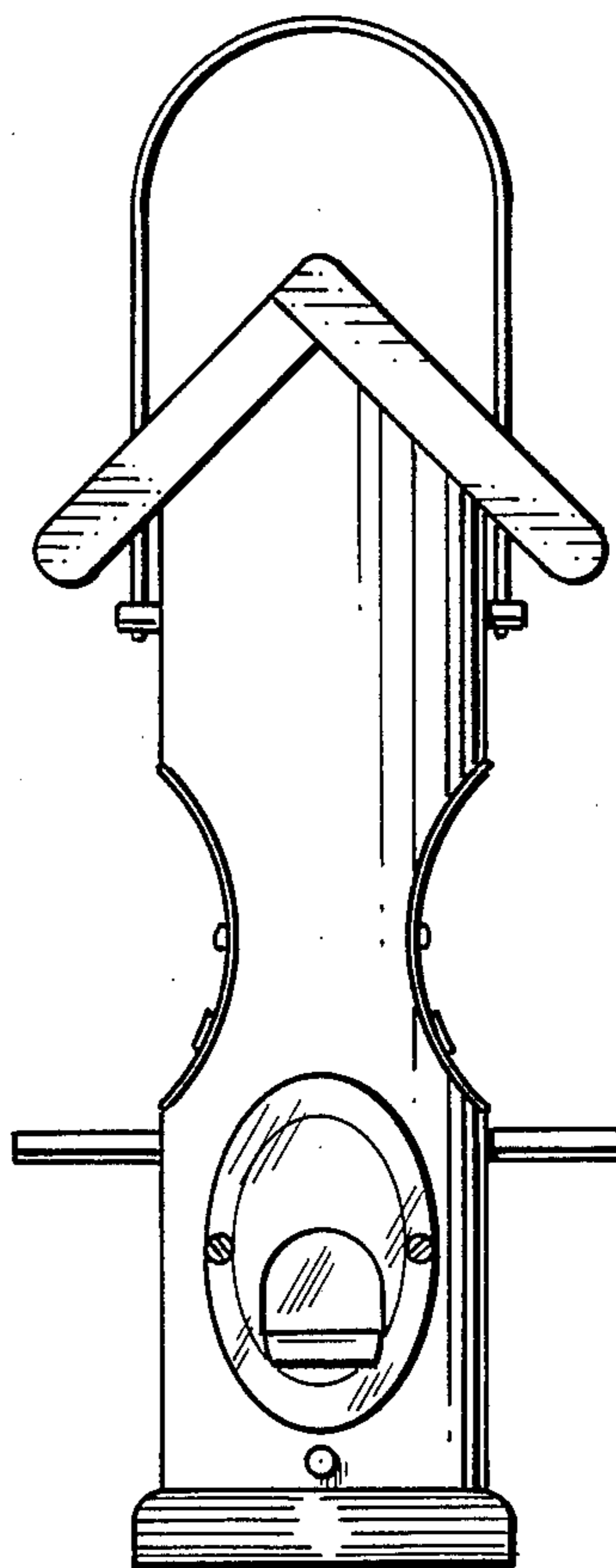


FIG. 2

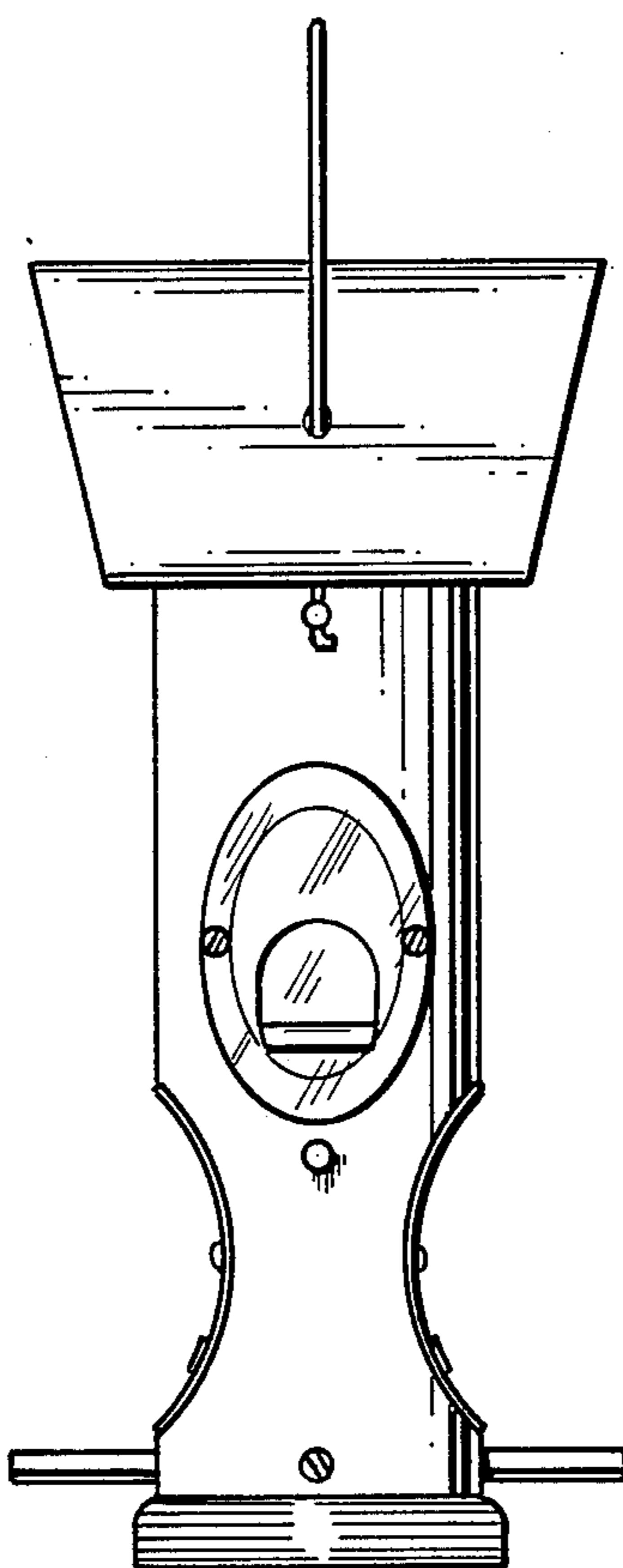


FIG. 5

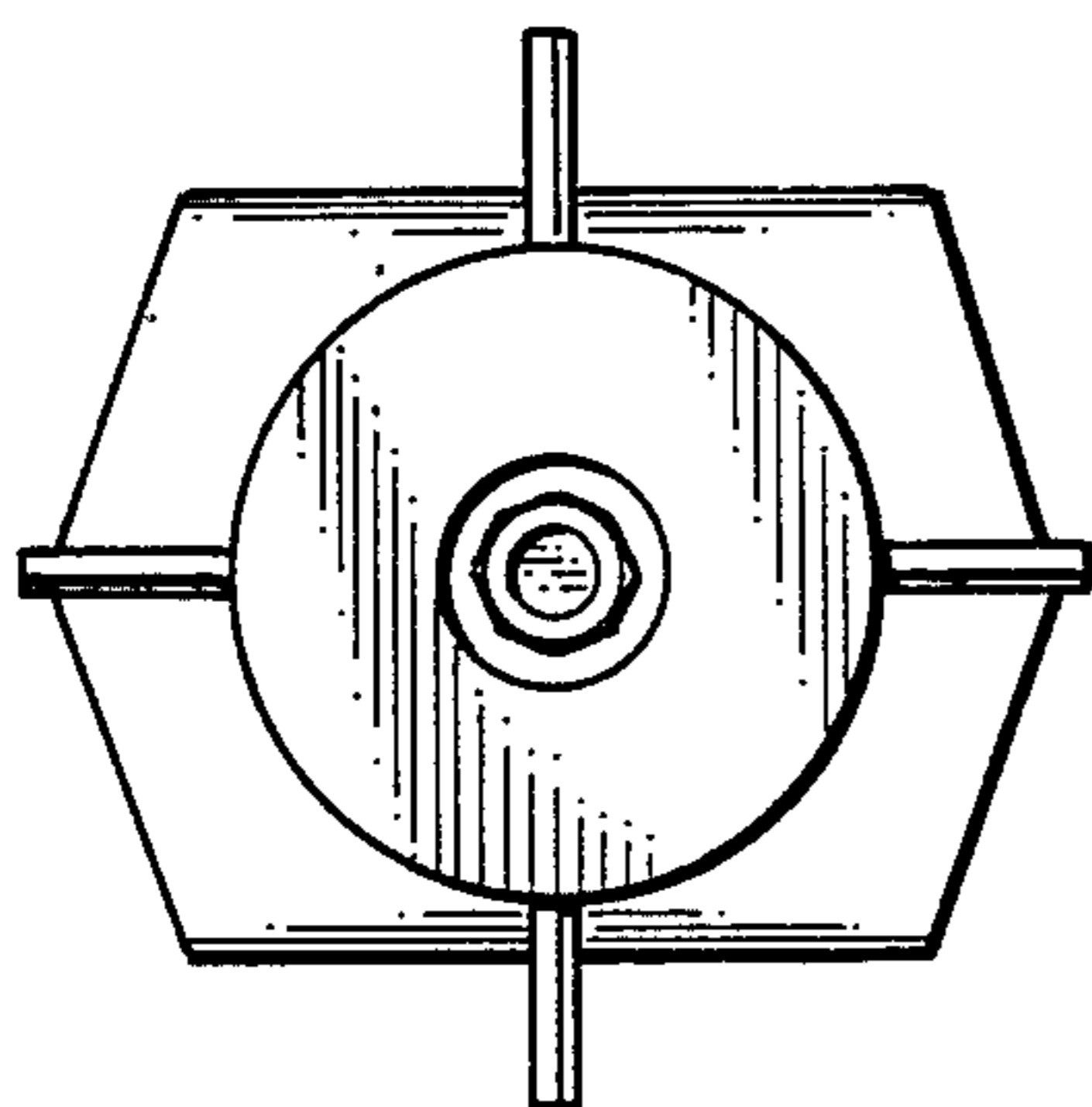
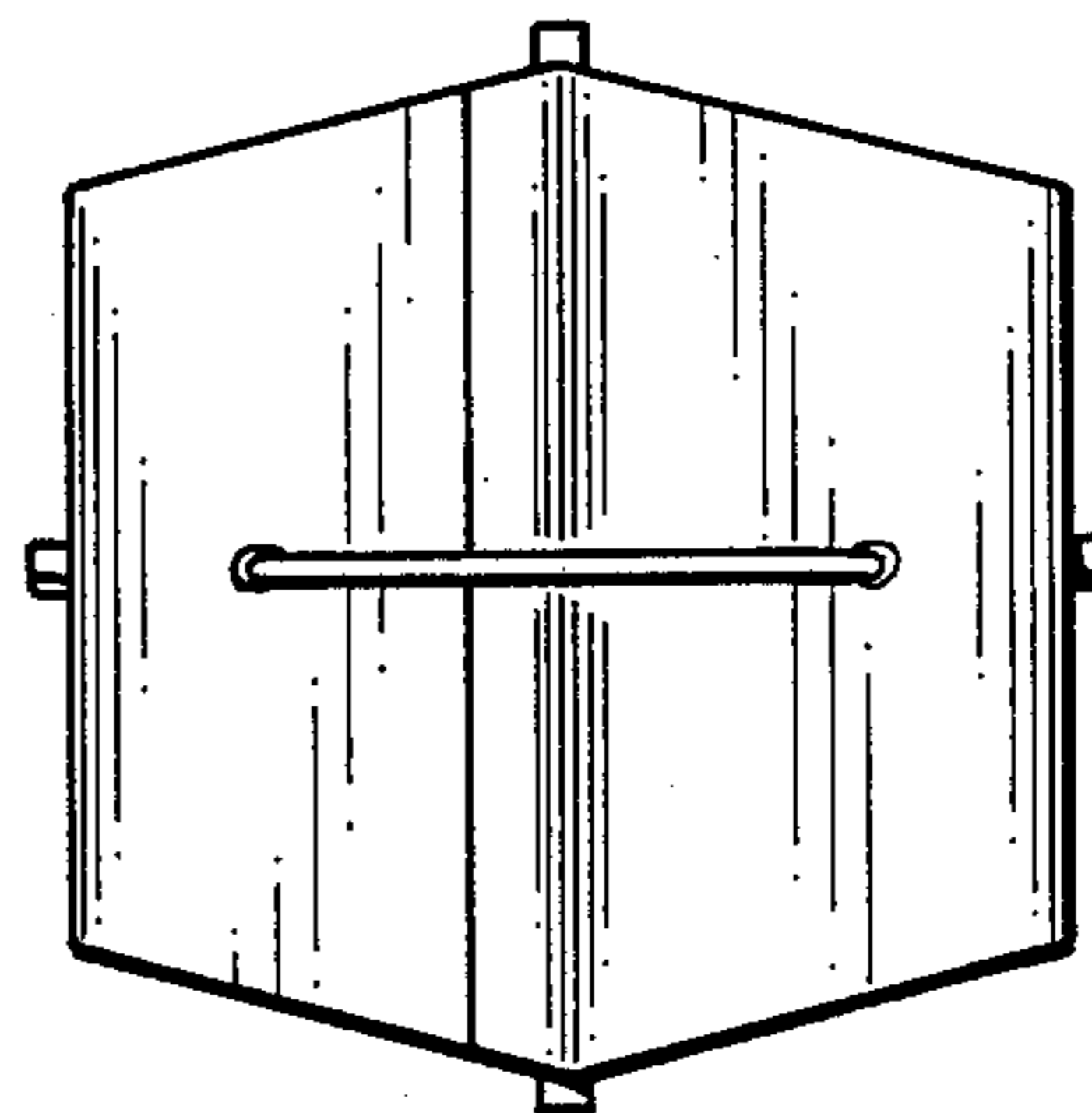


FIG. 4



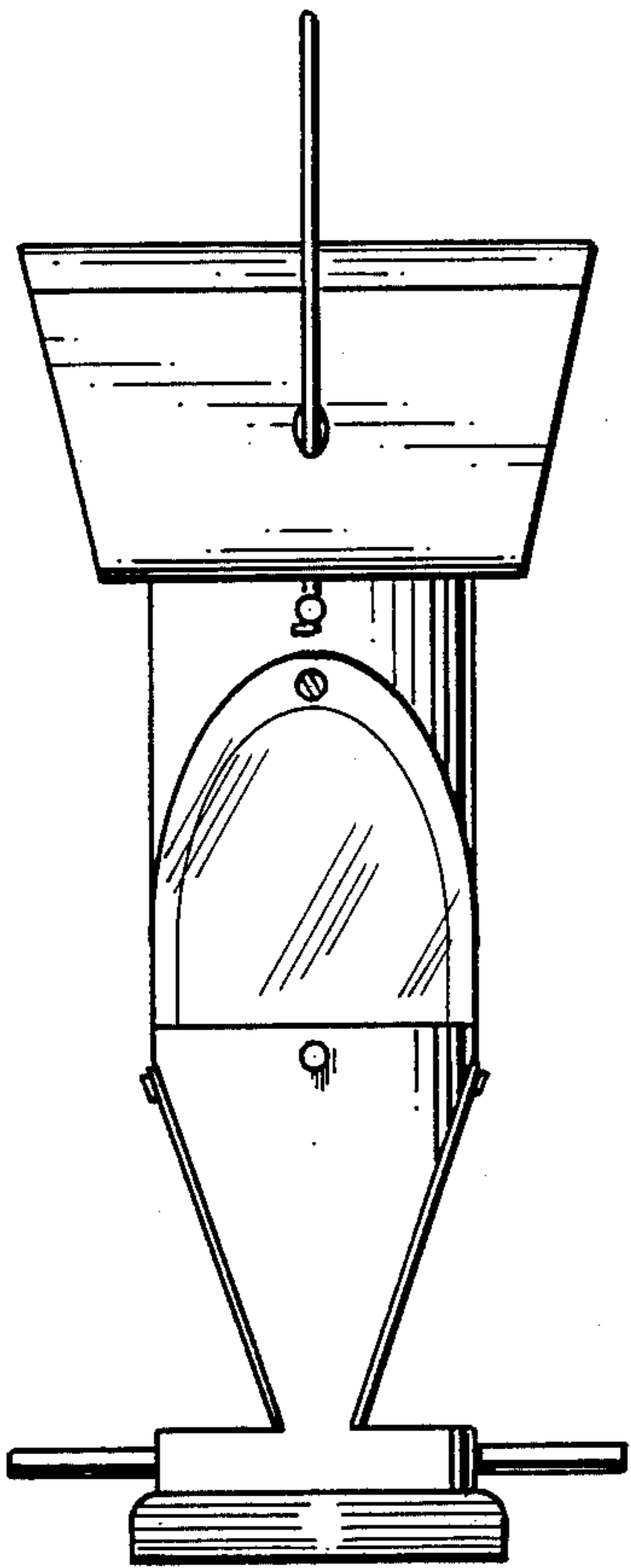


FIG. 6

FIG. 9

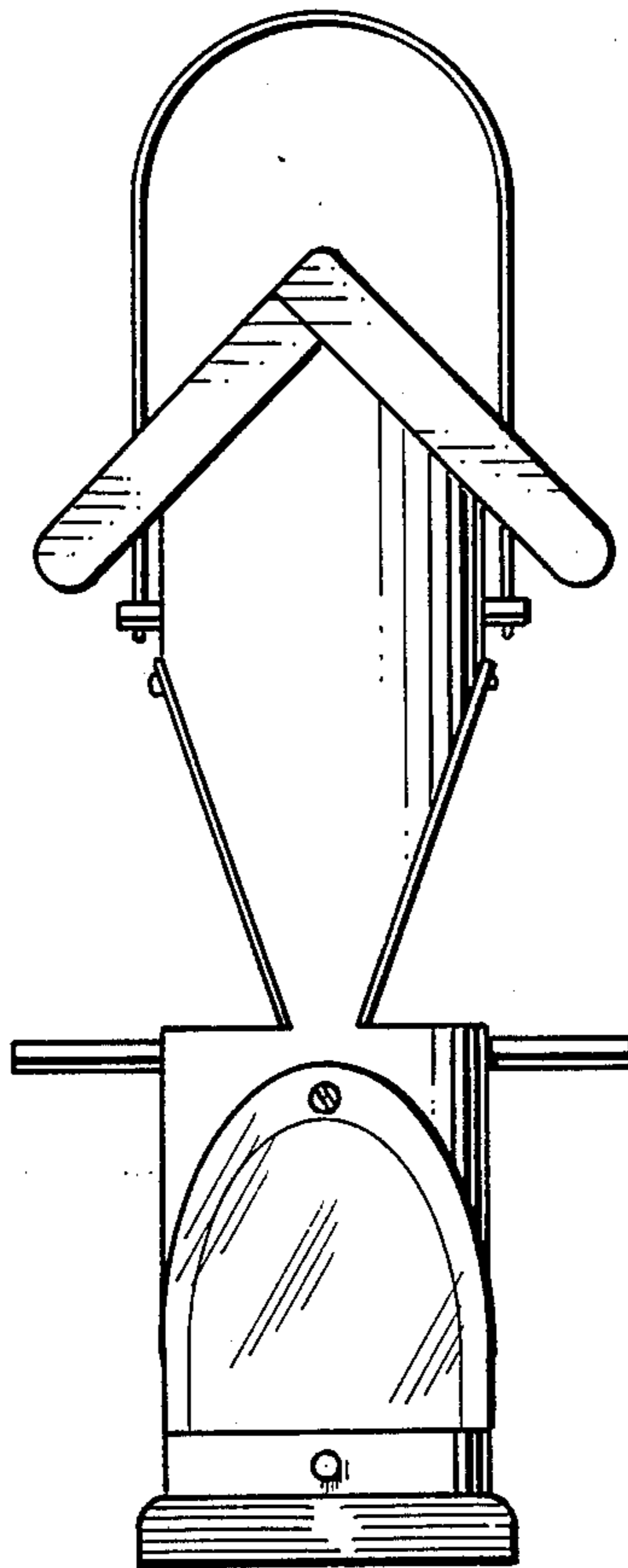


FIG. 8

FIG. 11

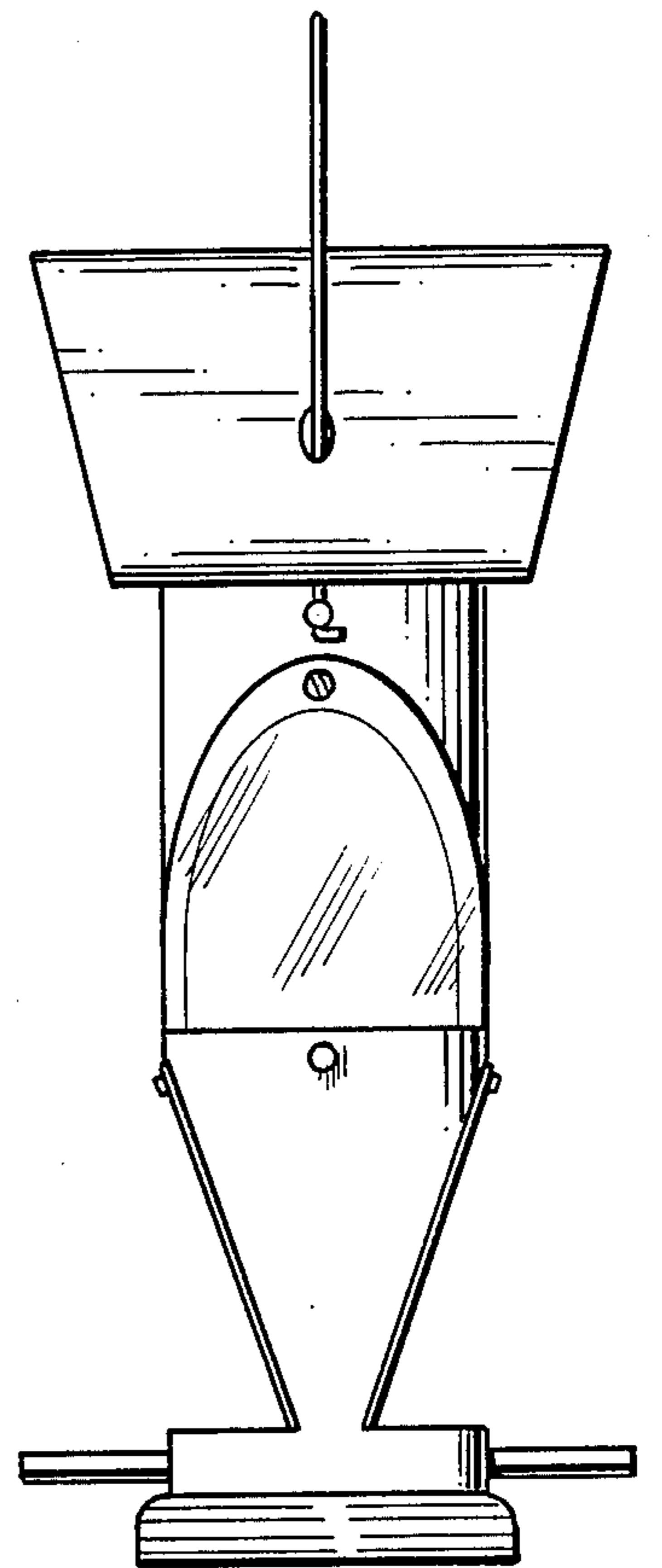


FIG. 7

FIG. 10

