

[54] BIRD FEEDER

[76] Inventor: Victor Fasino, 62 Oneida Ave.,  
Landing, N.J. 07850

[\*\*] Term: 14 Years

[21] Appl. No.: 77,775

[22] Filed: Jul. 24, 1987

[52] U.S. Cl. .... D30/126

[58] Field of Search ..... D30/124, 128; 119/51 R,  
119/52 R

[56] References Cited

U.S. PATENT DOCUMENTS

D. 120,350	5/1940	Moore	.....	D30/126
D. 120,852	6/1940	Bishop	.....	D30/124
D. 193,558	9/1962	Parry	.....	D30/127
D. 231,369	4/1974	Kilham	.....	D30/127
D. 245,715	9/1977	Eldridge, Jr.	.....	D30/127
D. 251,021	2/1979	Blasbalg	.....	D30/127
D. 252,591	8/1979	Hyde, Jr.	.....	D30/127
D. 262,917	2/1982	Kilham	.....	D30/127
D. 266,705	10/1982	Bescherer	.....	D30/126
D. 267,355	12/1982	Blasbalg	.....	D30/127
D. 278,168	3/1985	Latham et al.	.....	D30/127
D. 278,559	4/1985	Latham et al.	.....	D30/127
D. 282,019	12/1985	Kilham	.....	D30/127
3,568,641	3/1971	Kilham	.....	119/51 R
4,188,913	2/1980	Earl et al.	.....	119/51 R

4,327,669 5/1982 Blasbalg ..... 119/51 R

Primary Examiner—James R. Largen  
Attorney, Agent, or Firm—Bernard J. Murphy

[57] CLAIM

The ornamental design for a bird feeder, as shown and described.

DESCRIPTION

FIG. 1 is a front elevational view of a bird feeder showing my new design, the rear being the same as the front shown;

FIG. 2 is a side elevational view thereof, the opposite side being the same as the side shown;

FIG. 3 is a top plan view thereof;

FIG. 4 is a bottom plan view thereof;

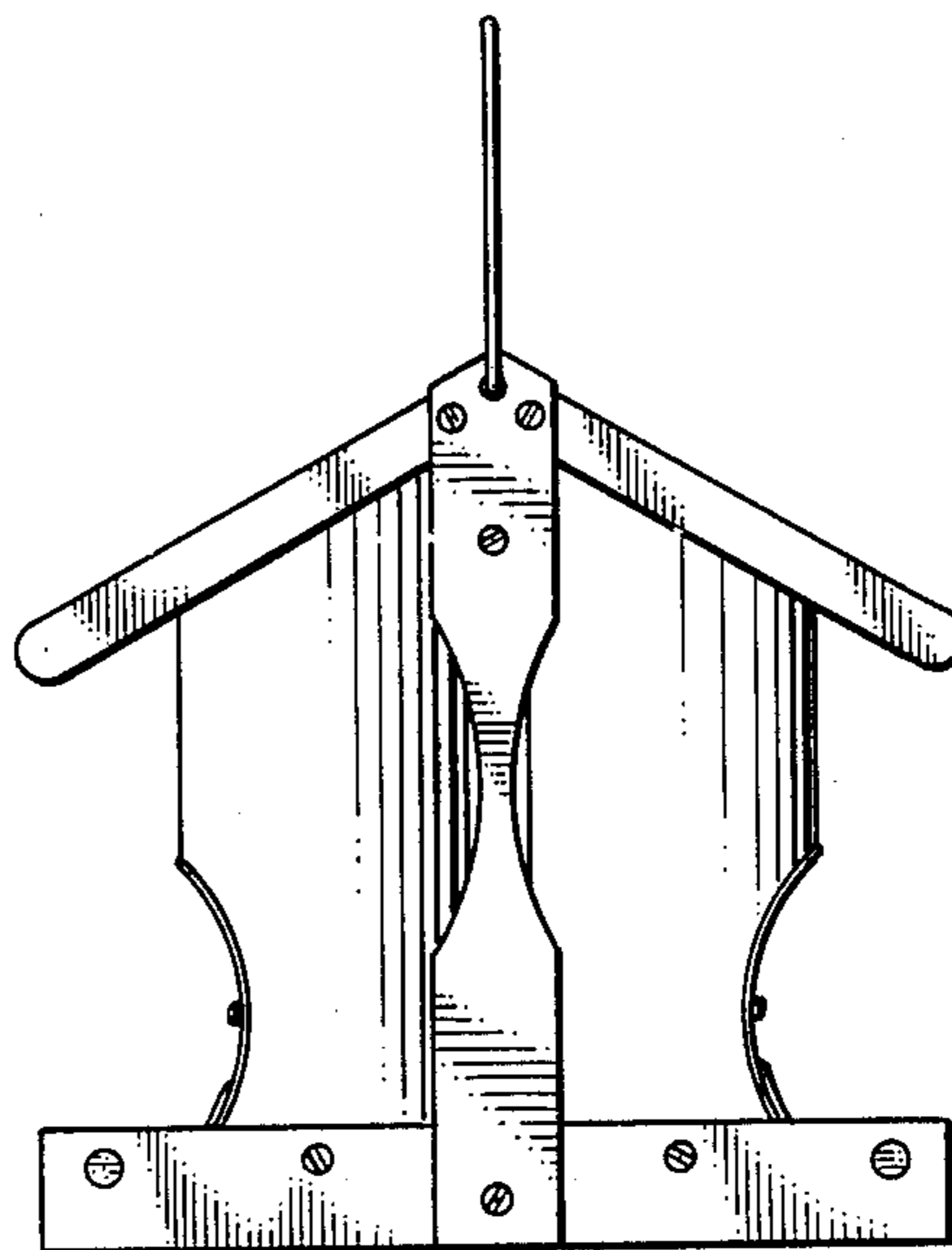
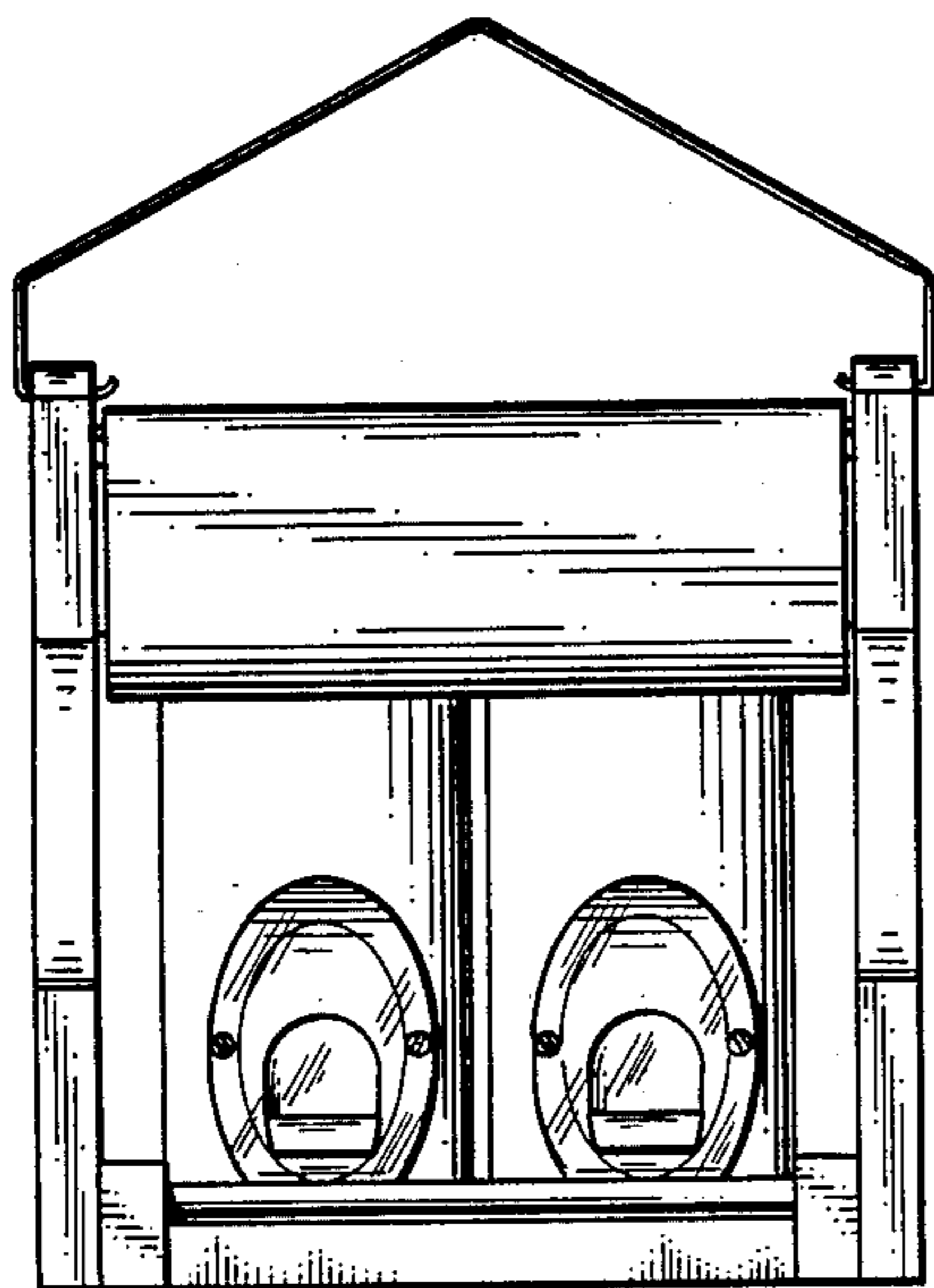
FIG. 5 is a front elevational view of a modified form of the bird feeder shown in FIG. 1, the rear being the same as the front shown;

FIG. 6 is a side elevational view of FIG. 5, the opposite side being the same as the side shown;

FIG. 7 is a front elevational view of a second modified form of the bird feeder shown in FIG. 1, the rear being the same as the front shown; and

FIG. 8 is a side elevational view of FIG. 7, the opposite side being the same as the side shown.

The top and bottom of the modified forms are the same as the top and bottom shown in FIGS. 3 and 4 respectively.



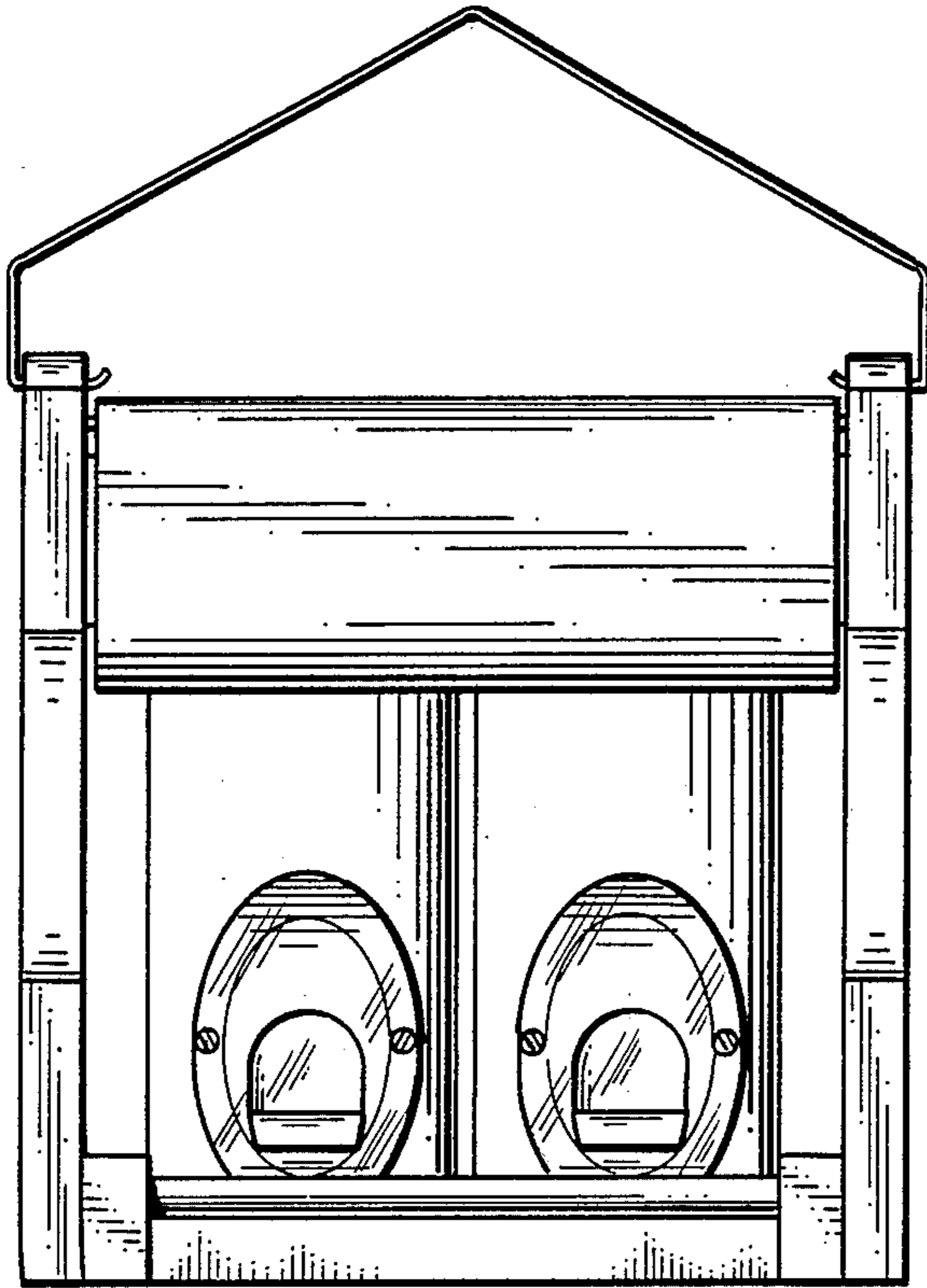


FIG. 1

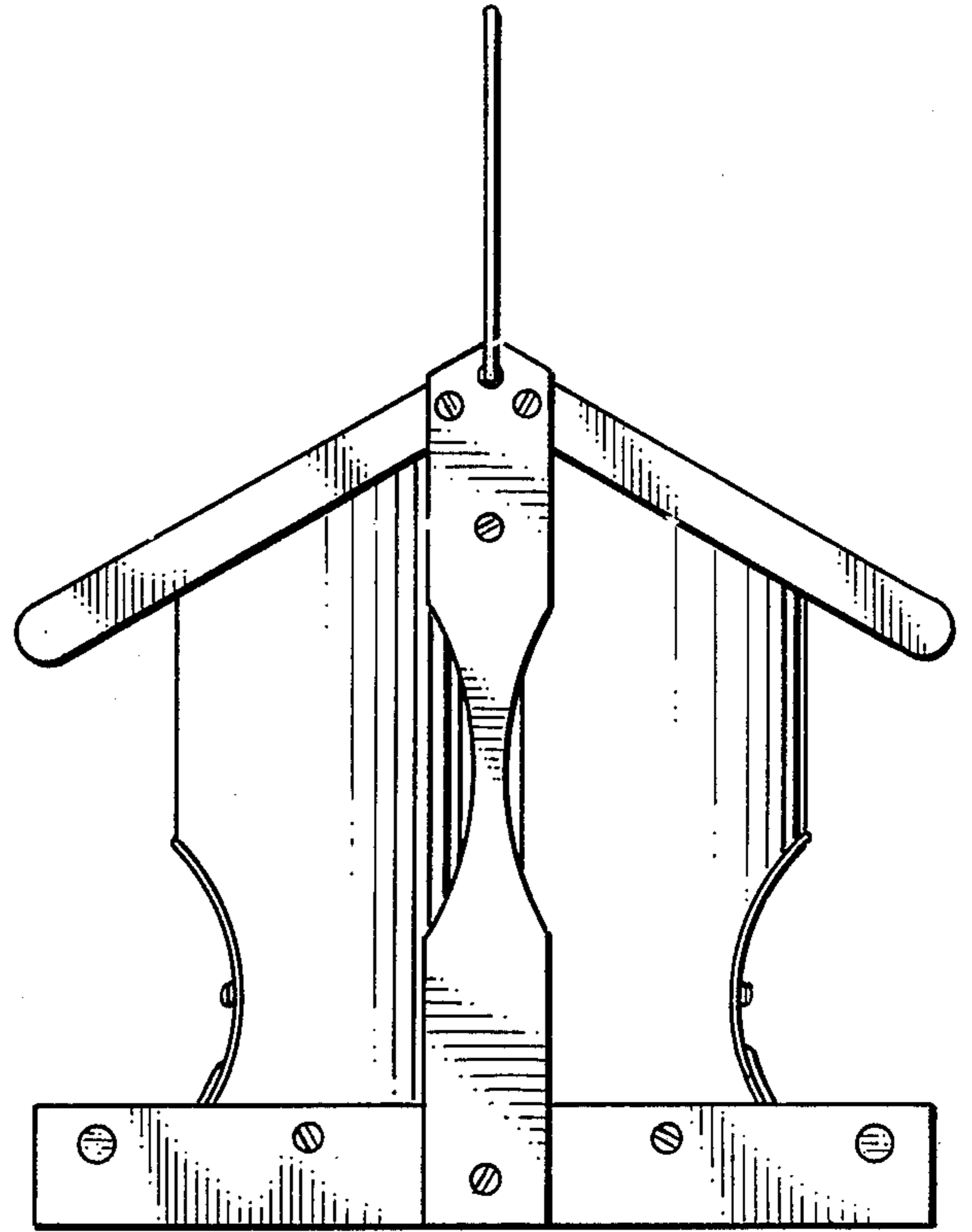


FIG. 2

FIG. 4

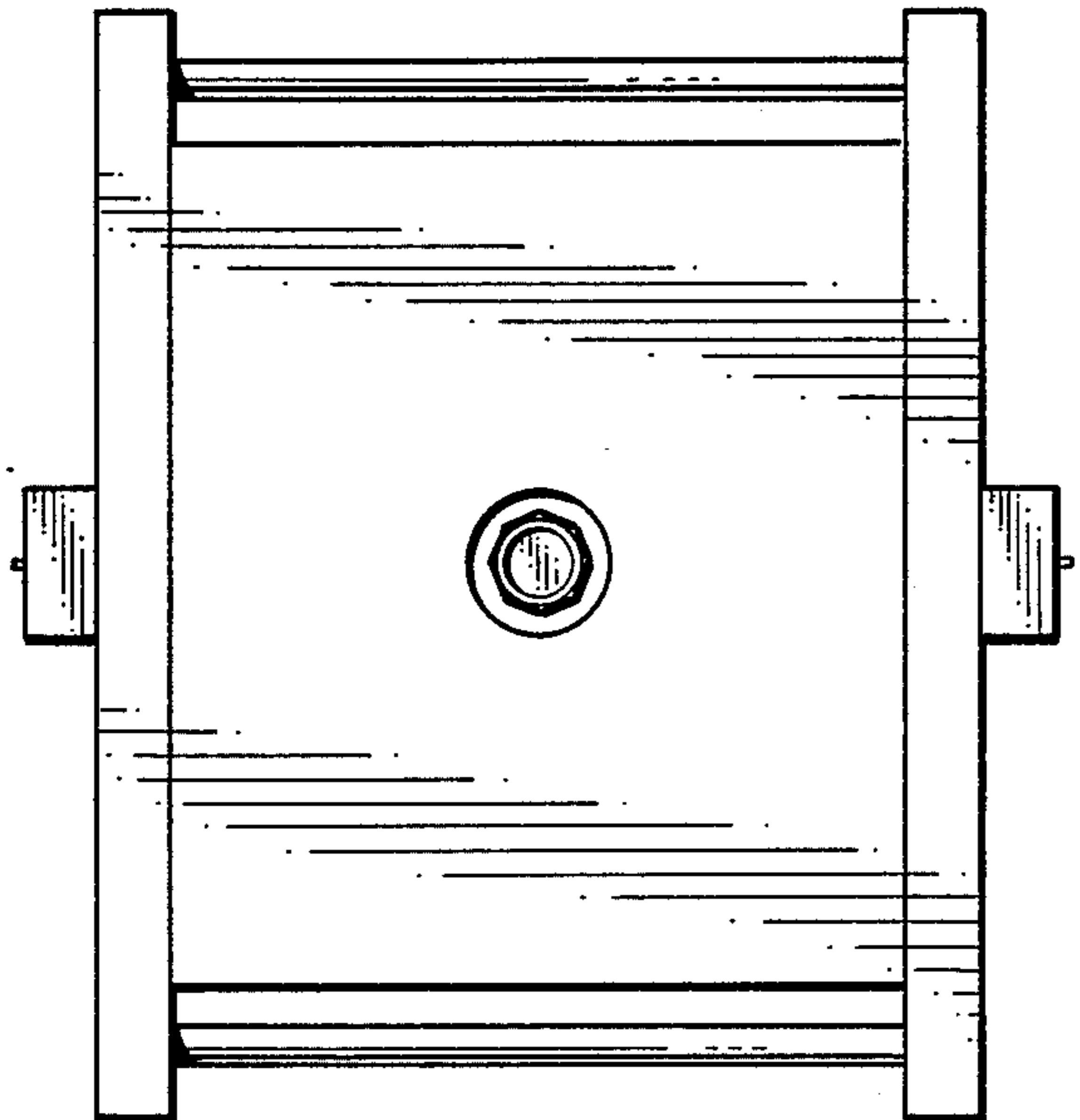
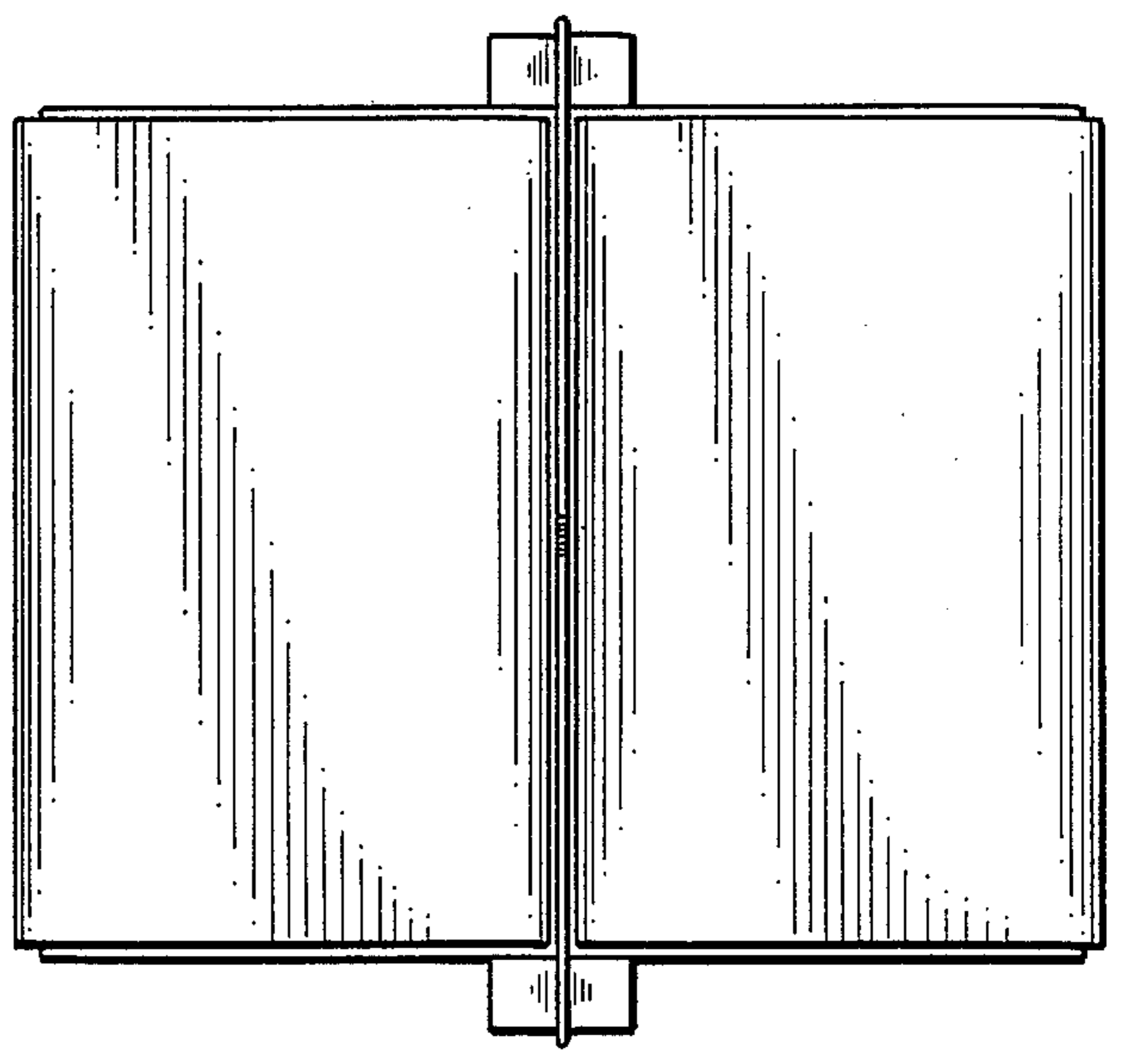


FIG. 3



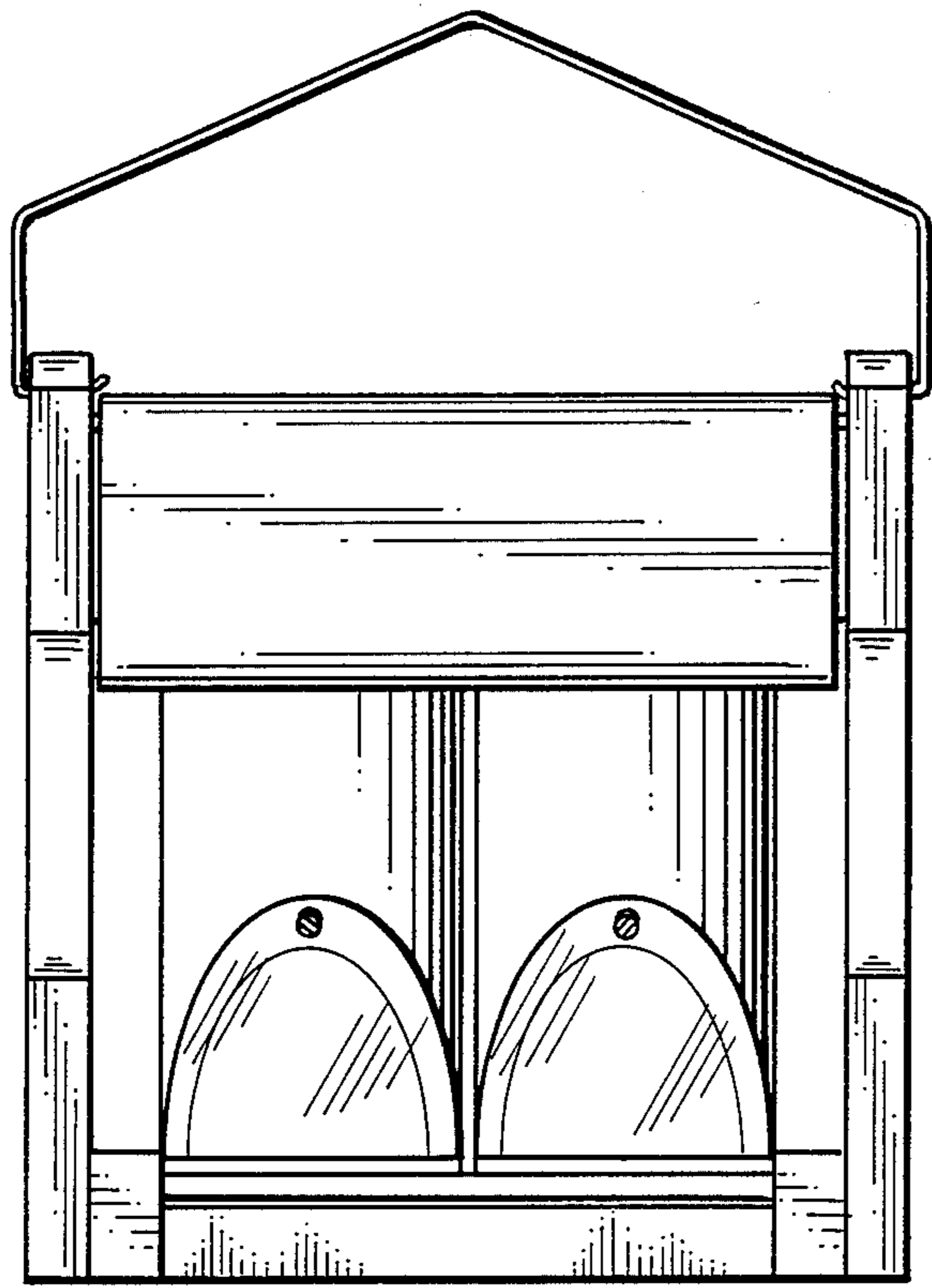


FIG. 5

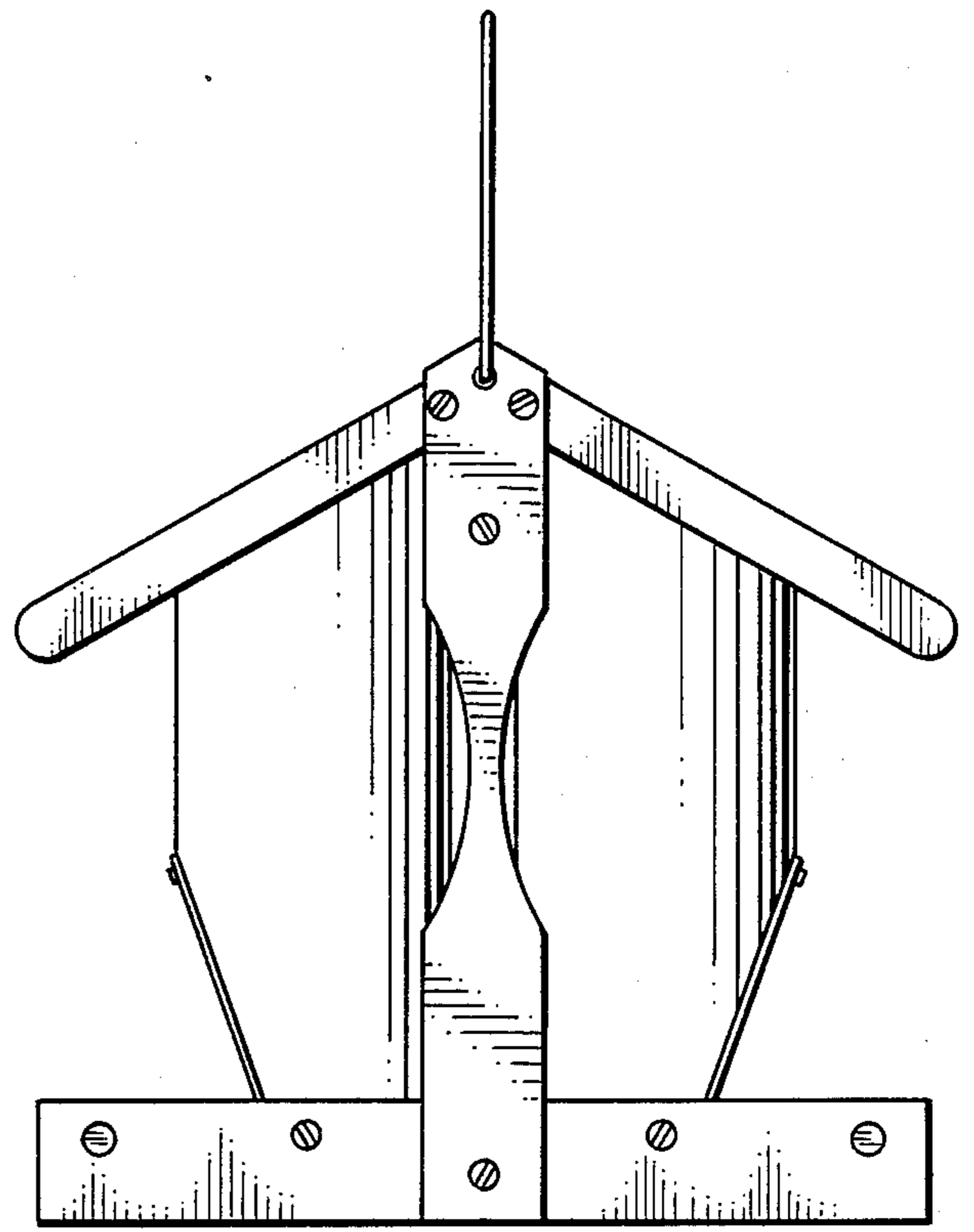


FIG. 6

FIG. 7

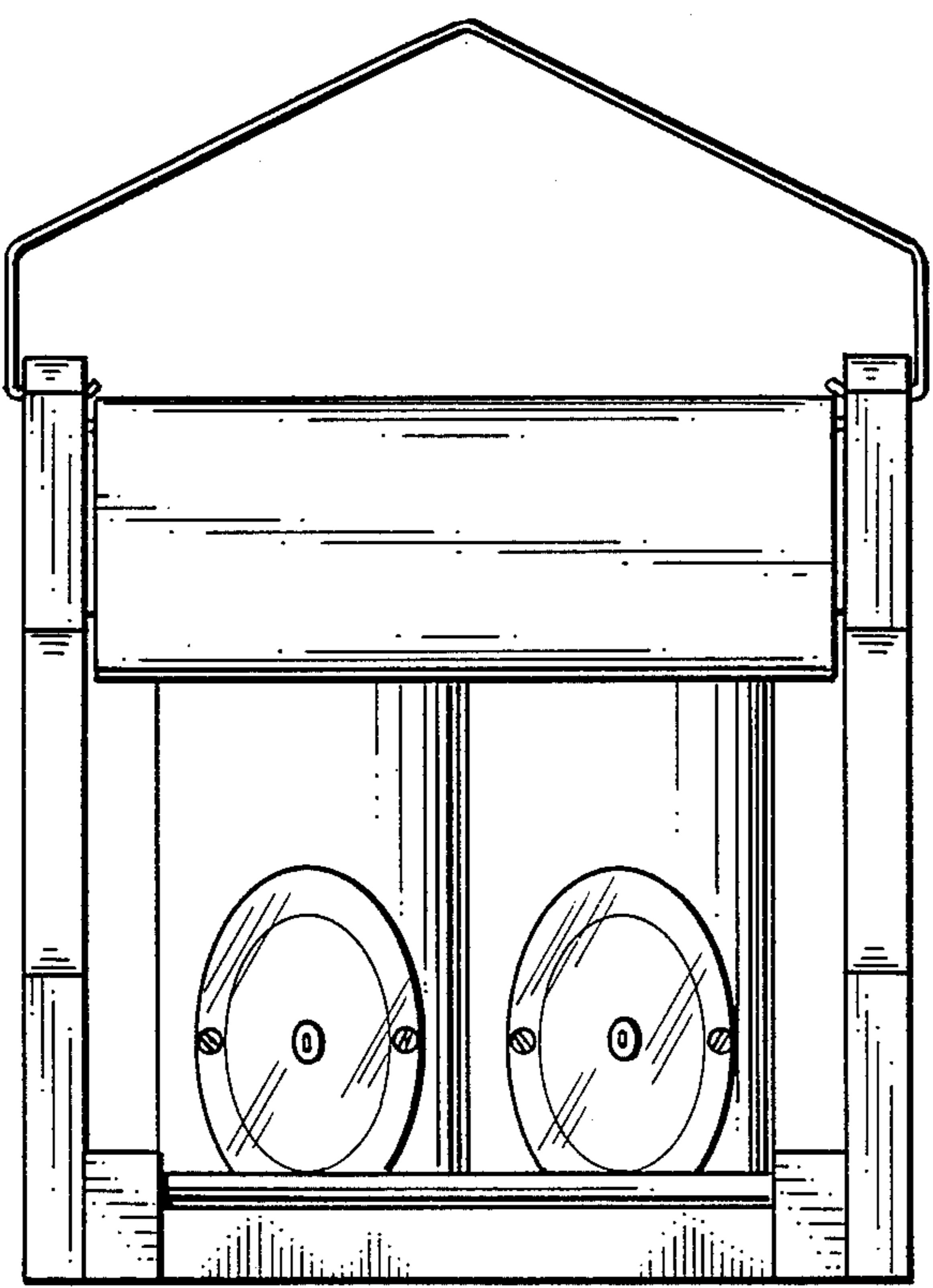


FIG. 8

