

[54] RESPIRATORY MASK

2,572,254 10/1951 Folberth 128/206.18

[75] Inventors: Kevin A. Rudolph, Leawood, Kans.; Donald C. Zavala, Iowa City, Iowa

Primary Examiner—Wallace R. Burke
Assistant Examiner—Kay H. Chin
Attorney, Agent, or Firm—Litman McMahon & Brown

[73] Assignee: Hans Rudolph, Inc., Kansas City, Mo.

[57] CLAIM

[**] Term: 14 Years

The ornamental design for a respiratory mask, as shown and described.

[21] Appl. No.: 51,124

DESCRIPTION

[22] Filed: May 18, 1987

[52] U.S. Cl. D29/7

[58] Field of Search D29/6-9;
128/207.18, 207.11, 206.18; D24/34, 17

FIG. 1 is a perspective view of a respiratory mask showing our new design, the broken lines of valves and straps are for illustrative purposes only and form no part of the claimed design;

FIG. 2 is a side elevational view thereof, the opposite side elevational view being a mirror image of that shown;

FIG. 3 is a front elevational view thereof;

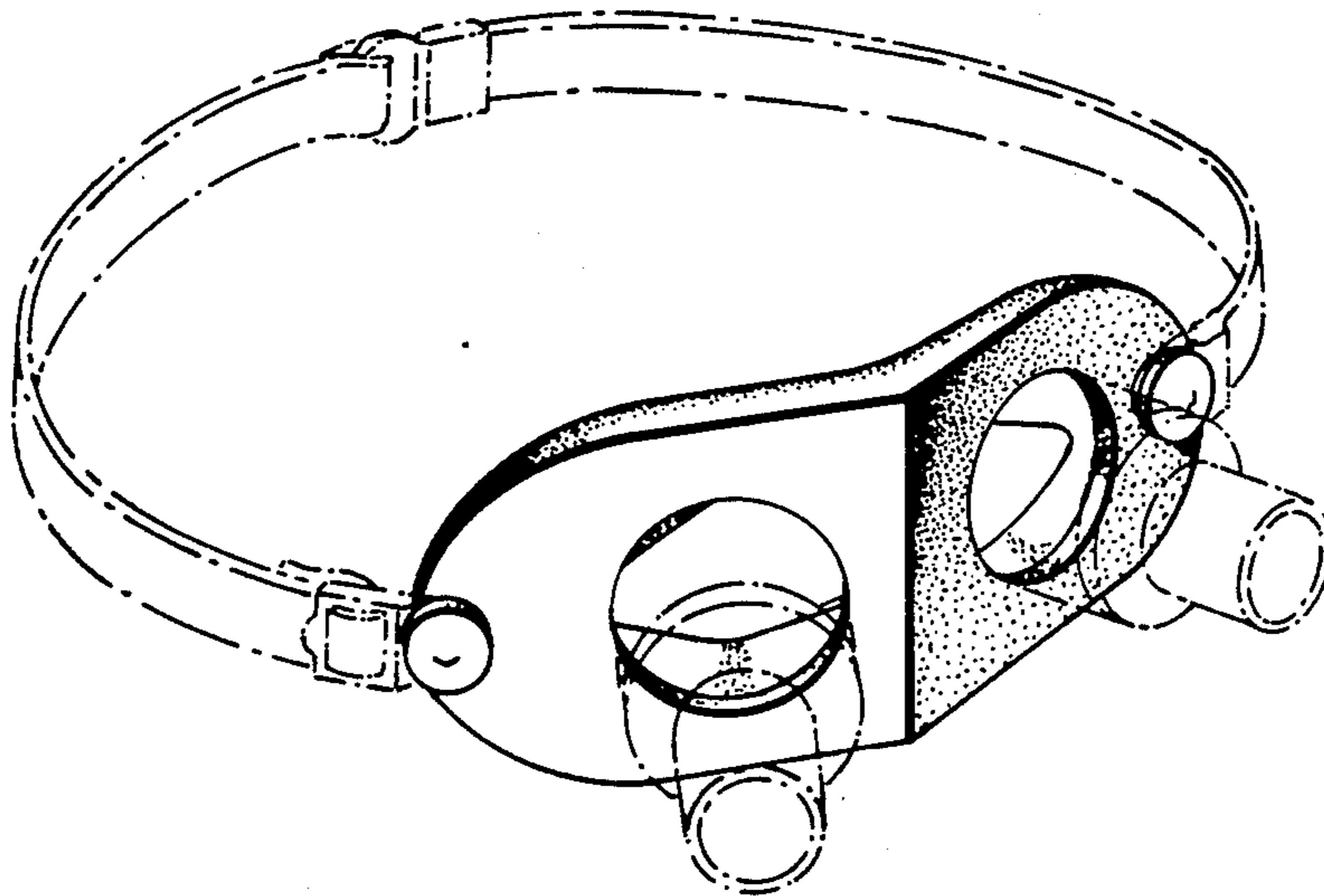
FIG. 4 is a top plan view thereof, the bottom plan view being a mirror image of that shown; and

FIG. 5 is a rear elevational view thereof.

[56] References Cited

U.S. PATENT DOCUMENTS

D. 237,219	10/1975	Kattwinkel	D29/7
2,087,042	7/1937	Phillips	128/206.18
2,295,321	9/1942	Anderson	128/206.18



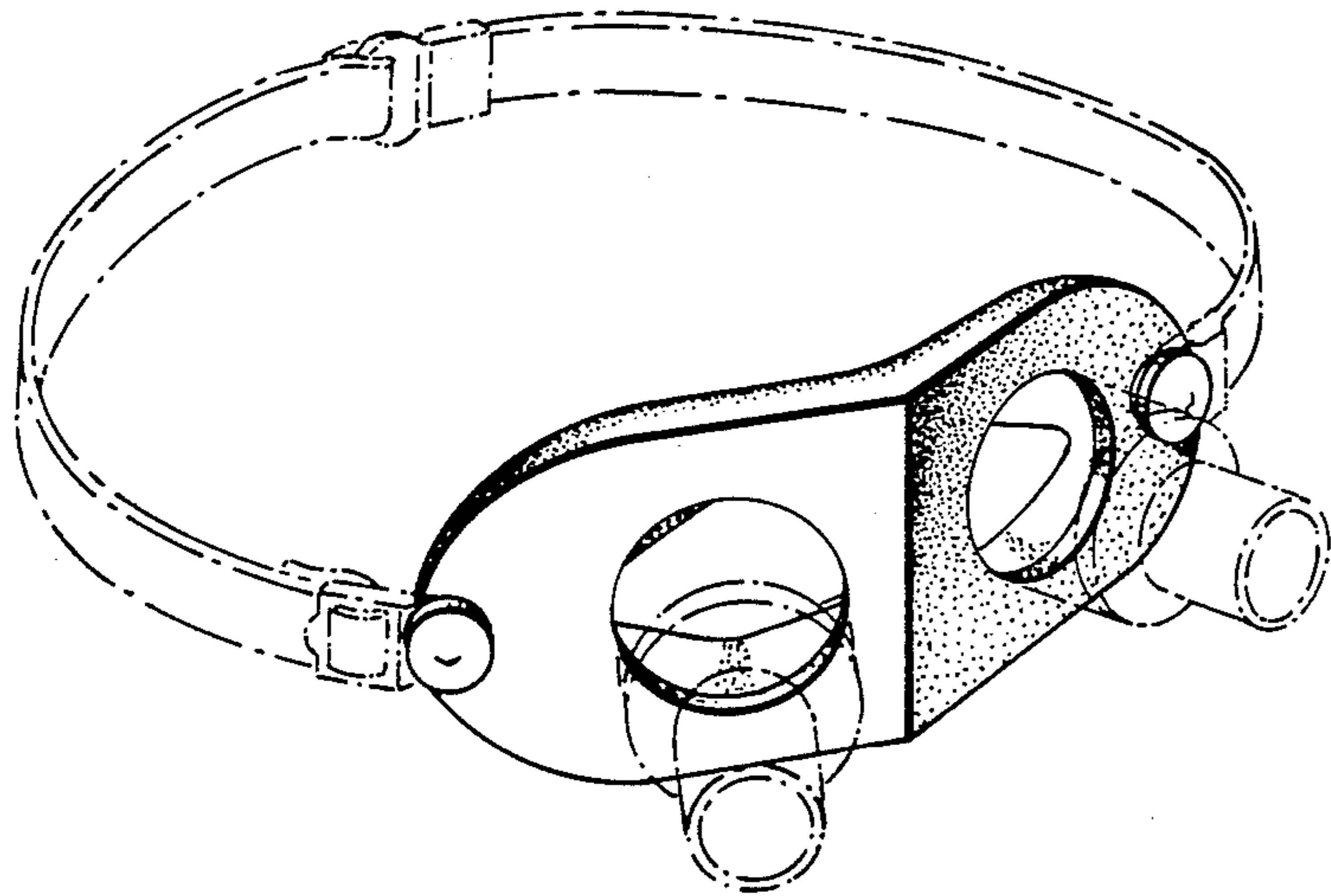


Fig. 1.

Fig. 2.

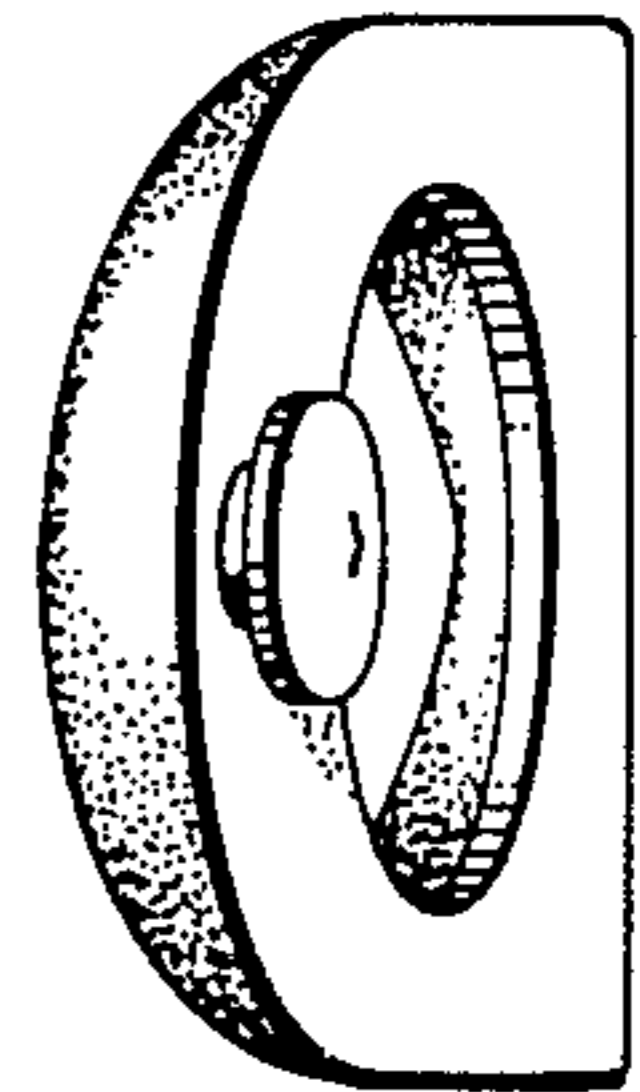


Fig. 3.

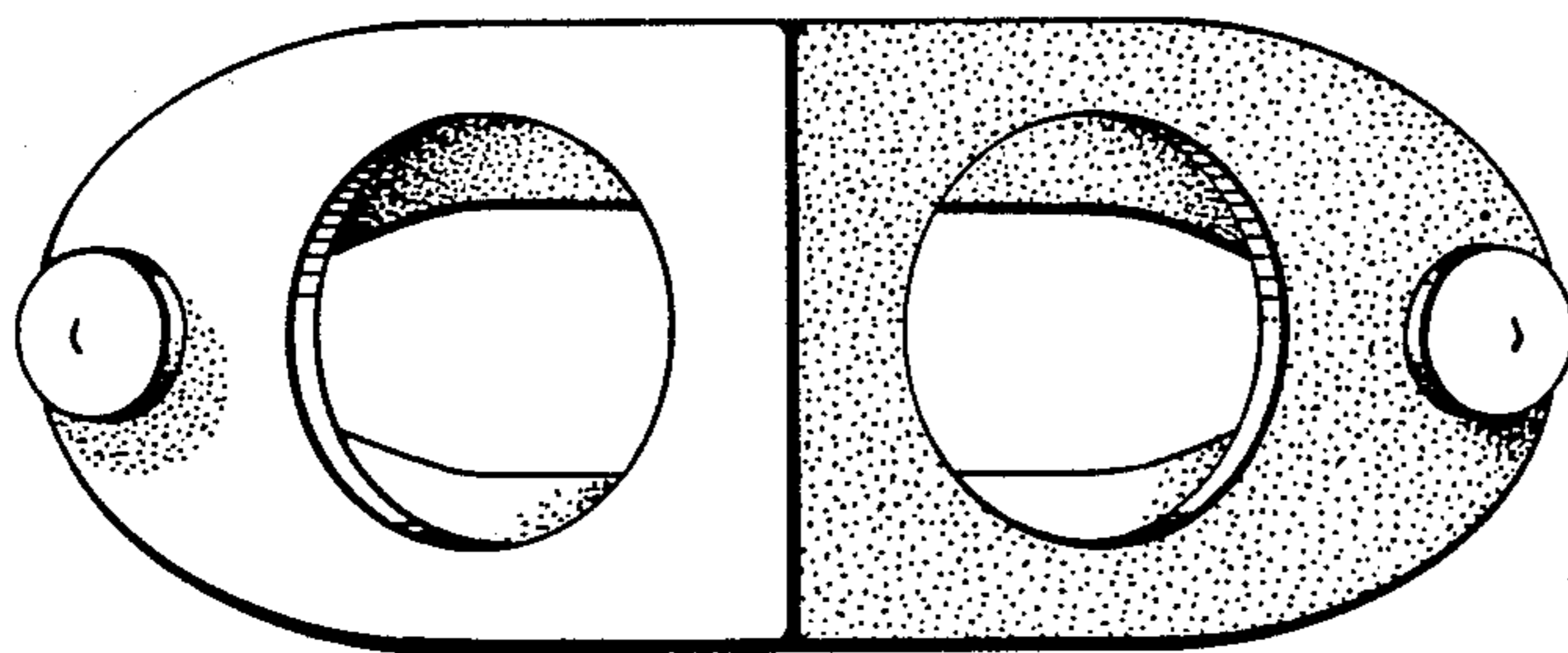


Fig. 4.

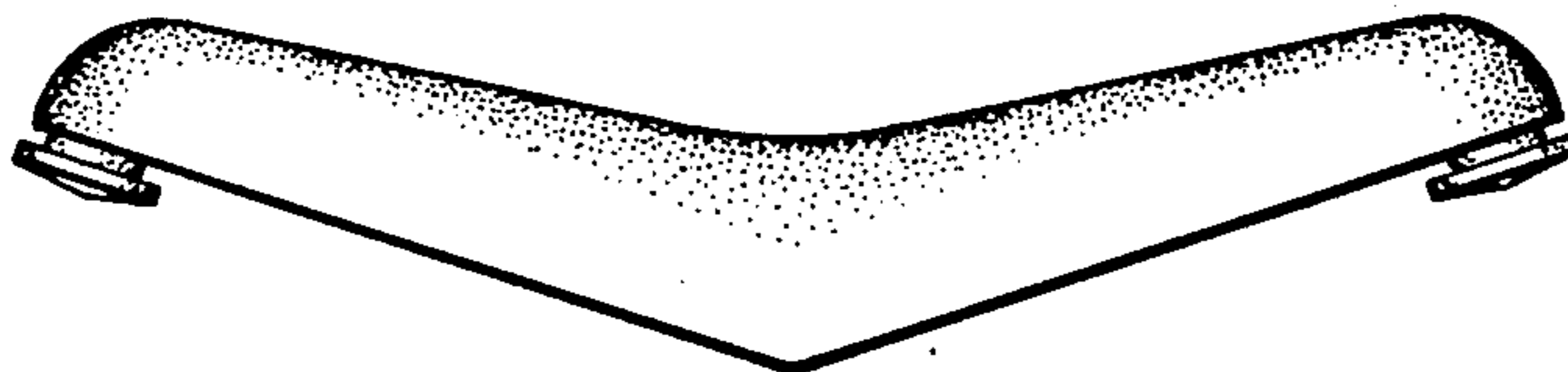


Fig. 5.

