

[54] COSMETIC CASE

[75] Inventor: **Karena Bakic**, Munich, Fed. Rep. of Germany

[73] Assignee: **Cosmede Anstalt**, Vaduz, Liechtenstein

[\*\*] Term: **14 Years**

[21] Appl. No.: **866,688**

[22] Filed: **May 21, 1986**

[30] Foreign Application Priority Data

Nov. 21, 1985 [DE] Fed. Rep. of Germany ..... URA 1445/85

[52] U.S. Cl. .... D28/76; D28/86; D9/421

[58] Field of Search ..... D28/4-8, D28/9, 38, 61, 73-91.1; D3/39; D9/337, 338, 341, 349, 352, 353, 377, 421, 423; 206/235, 385, 581, 823; 220/DIG. 26; 132/1 R, 79 R-79 D, 79 F, 82 R-82 D, 88.5, 88.7, DIG. 3, 212, 218, 285, 286, 297, 317-320, 333

[56] References Cited

U.S. PATENT DOCUMENTS

D. 148,310	1/1948	Lelong .....	D9/421
D. 151,730	11/1948	Baud .....	D9/421
D. 169,311	4/1953	Ganz et al. ....	D3/39 X
2,190,538	2/1940	Williamson .....	220/DIG. 26
4,562,923	1/1986	Katada et al. ....	206/581 X

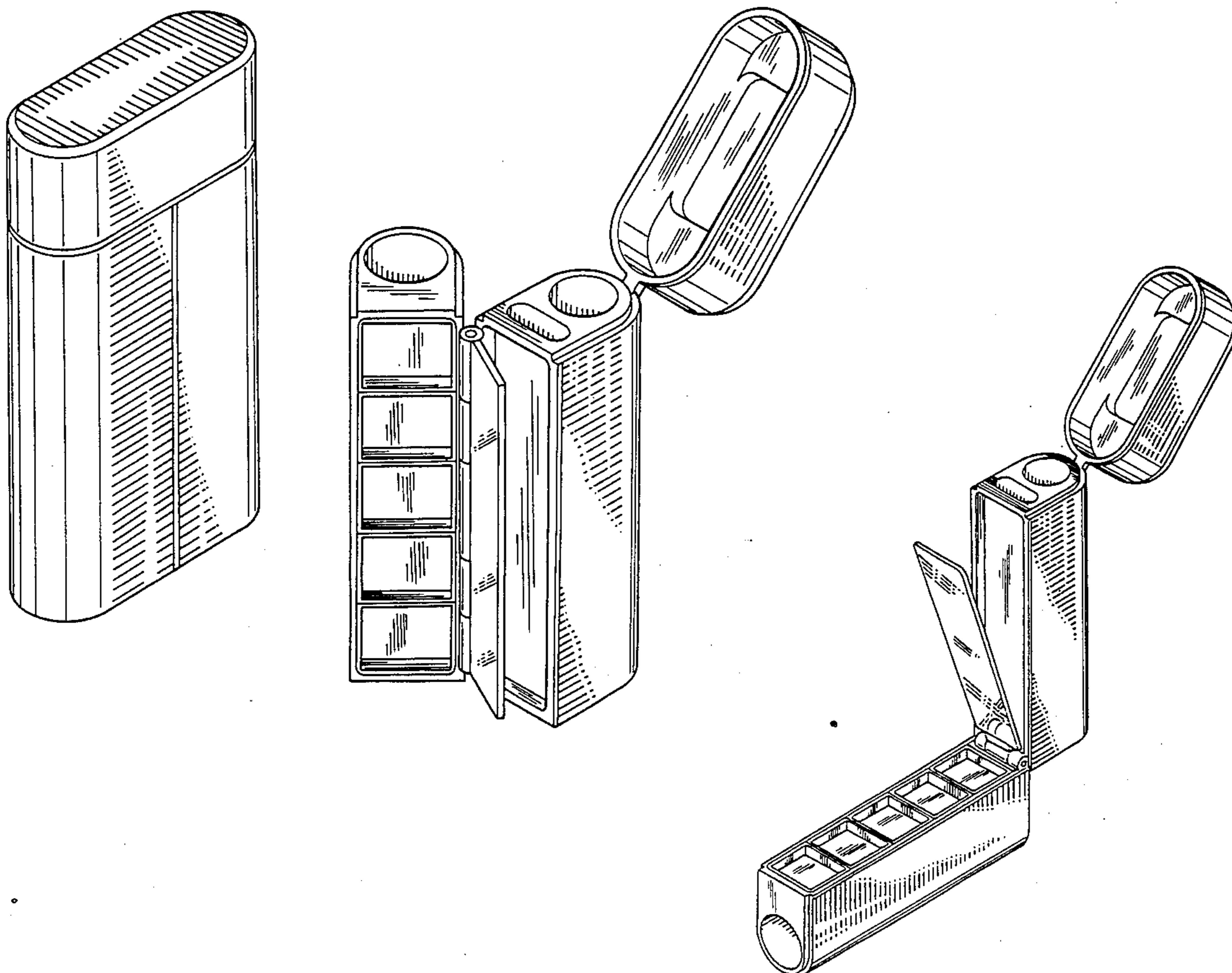
Primary Examiner—Louis S. Zarfaz  
Attorney, Agent, or Firm—Kenyon & Kenyon

[57] CLAIM

The ornamental design for a cosmetic case, as shown and described.

DESCRIPTION

FIG. 1 is a perspective view of a cosmetic case showing the front, top and right side of my new design; FIG. 2 is a bottom plan view thereof; FIG. 3 is a front elevational view thereof; FIG. 4 is a side elevational view thereof; FIG. 5 is a top plan view thereof; FIG. 6 is a perspective side and top view of case with the top opened upwards and the front half of the case opened toward the left side. FIG. 7 is a perspective view of a cosmetic case in open position showing a modified form of my new design wherein the modification is that the front half opens downwards.



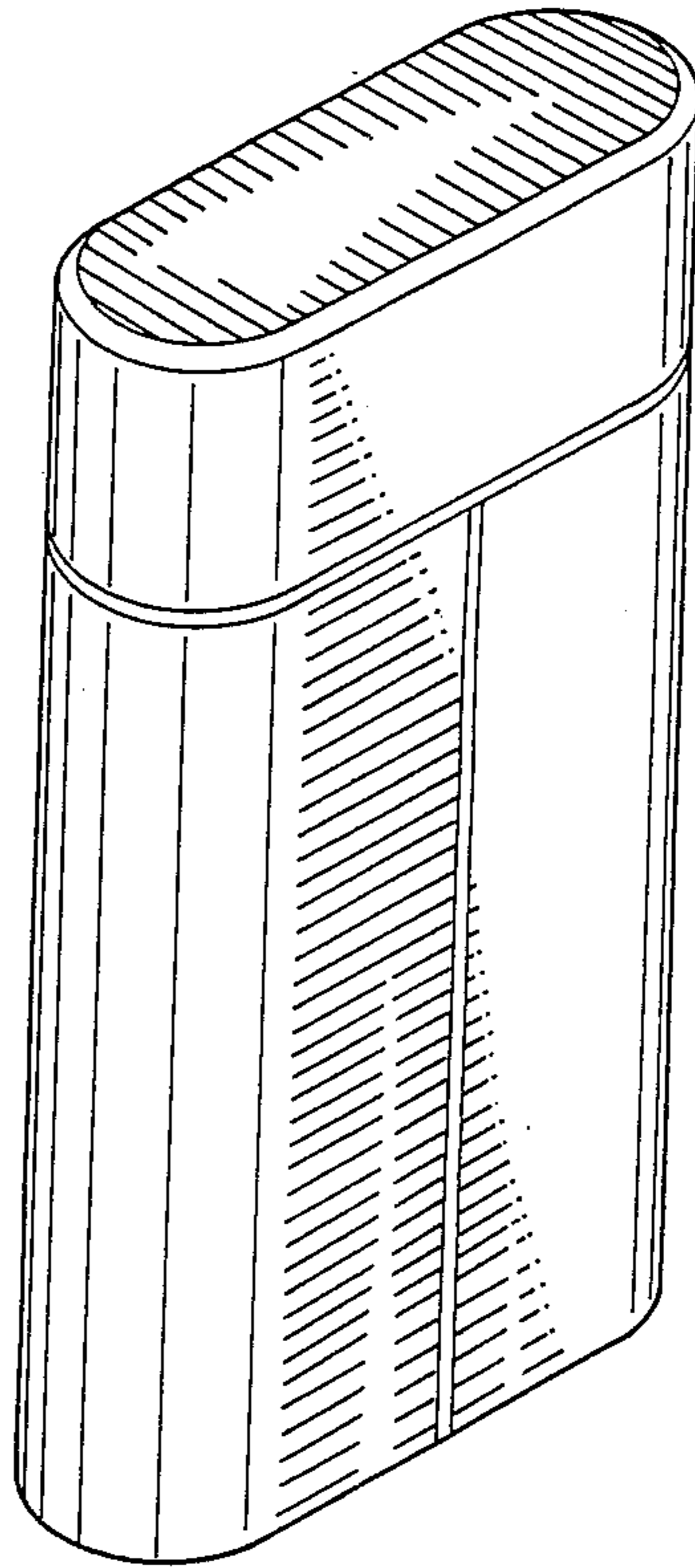


FIG. 1

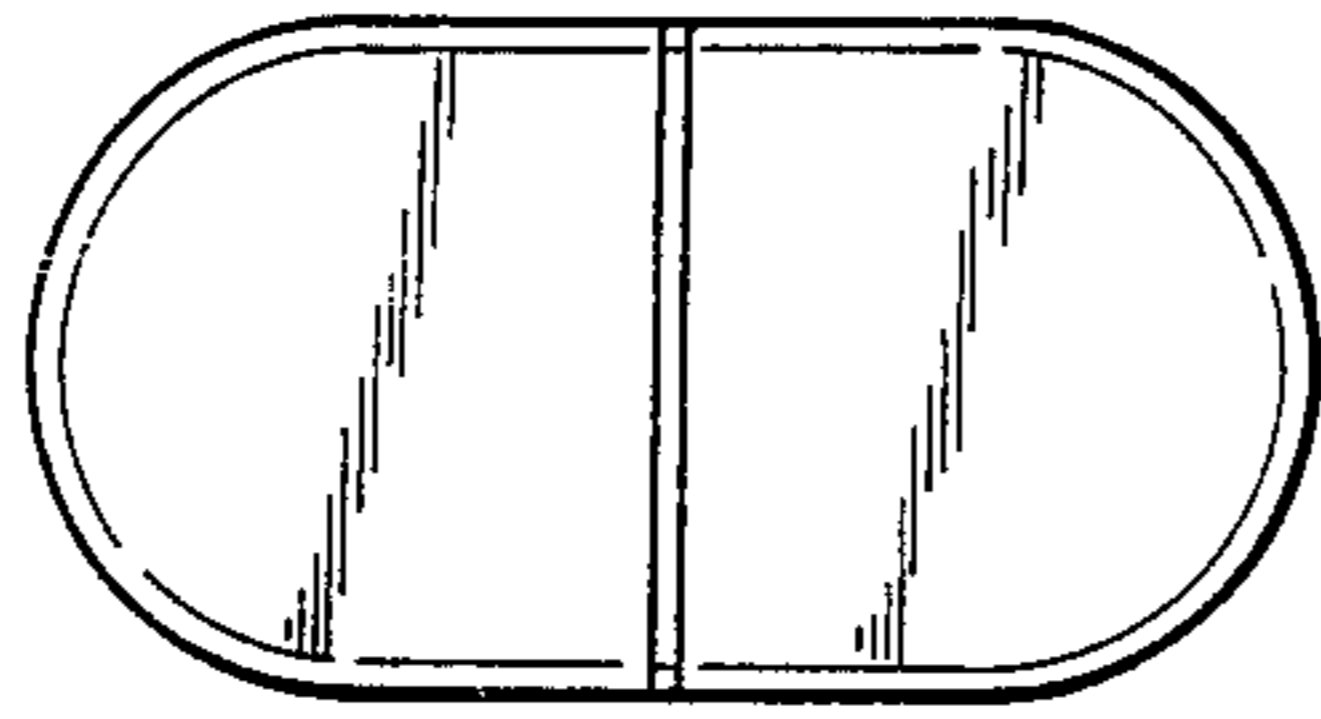


FIG. 2

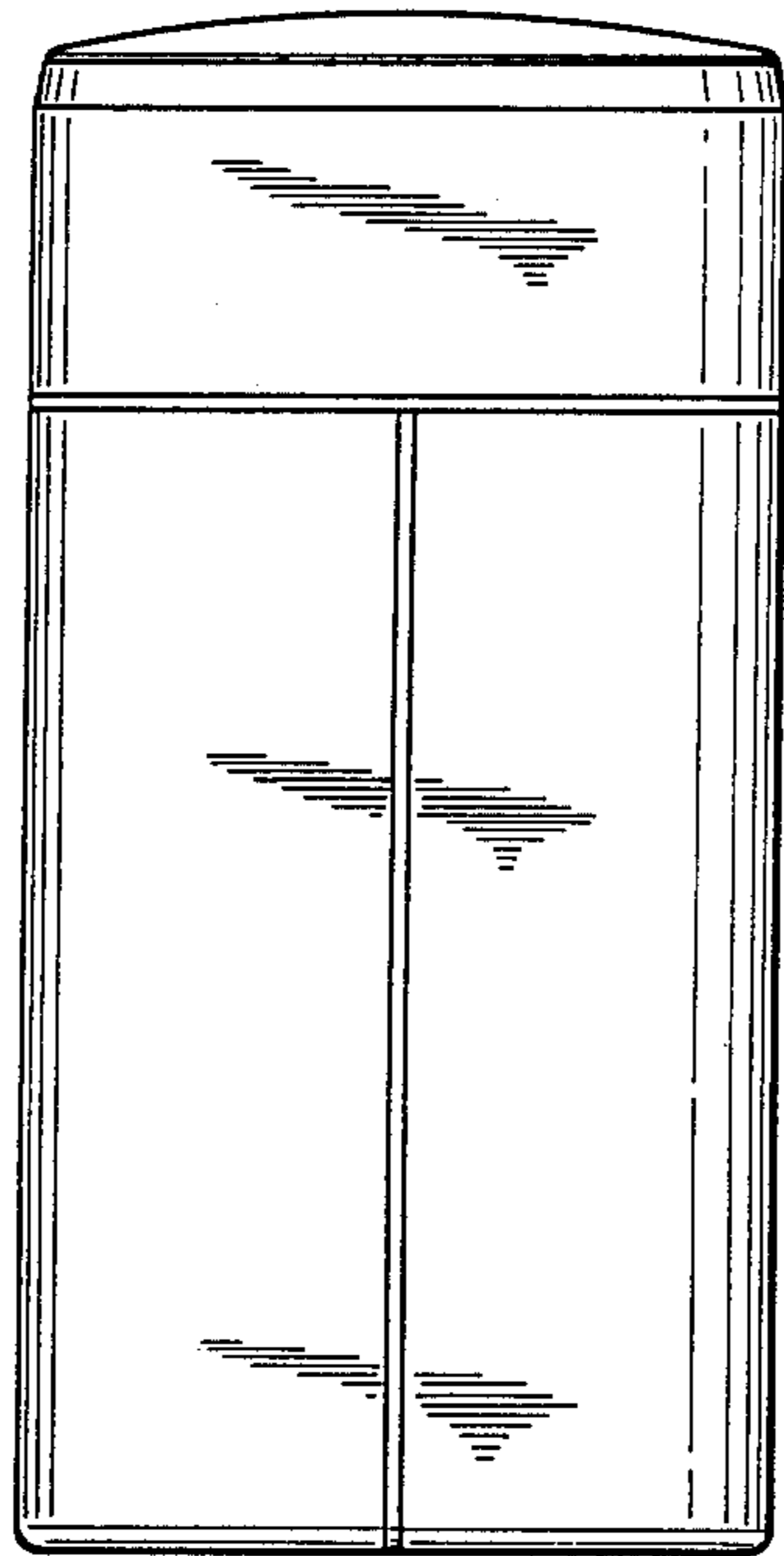


FIG. 3

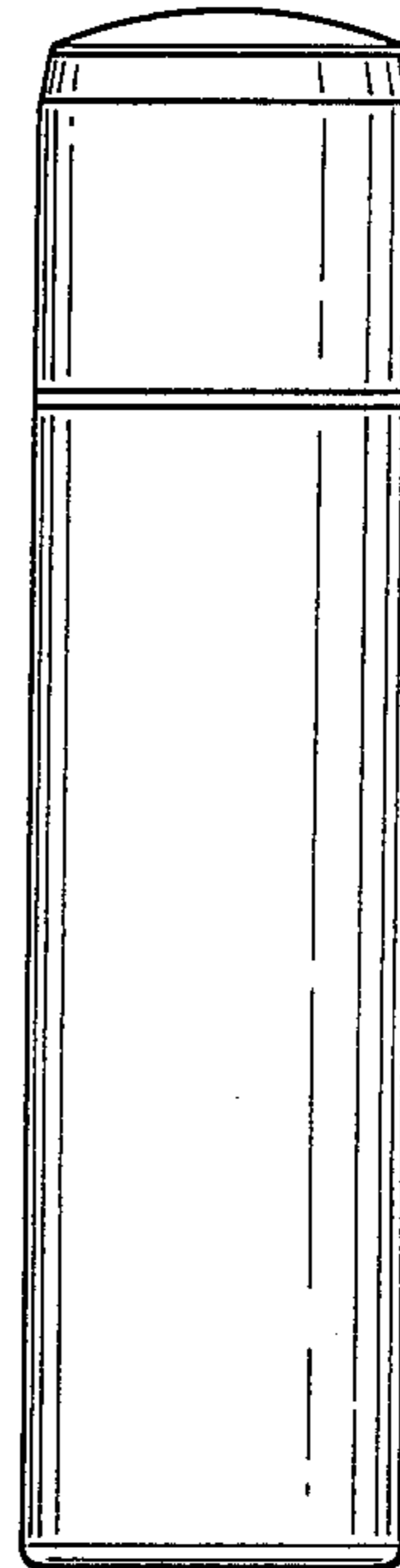


FIG. 4

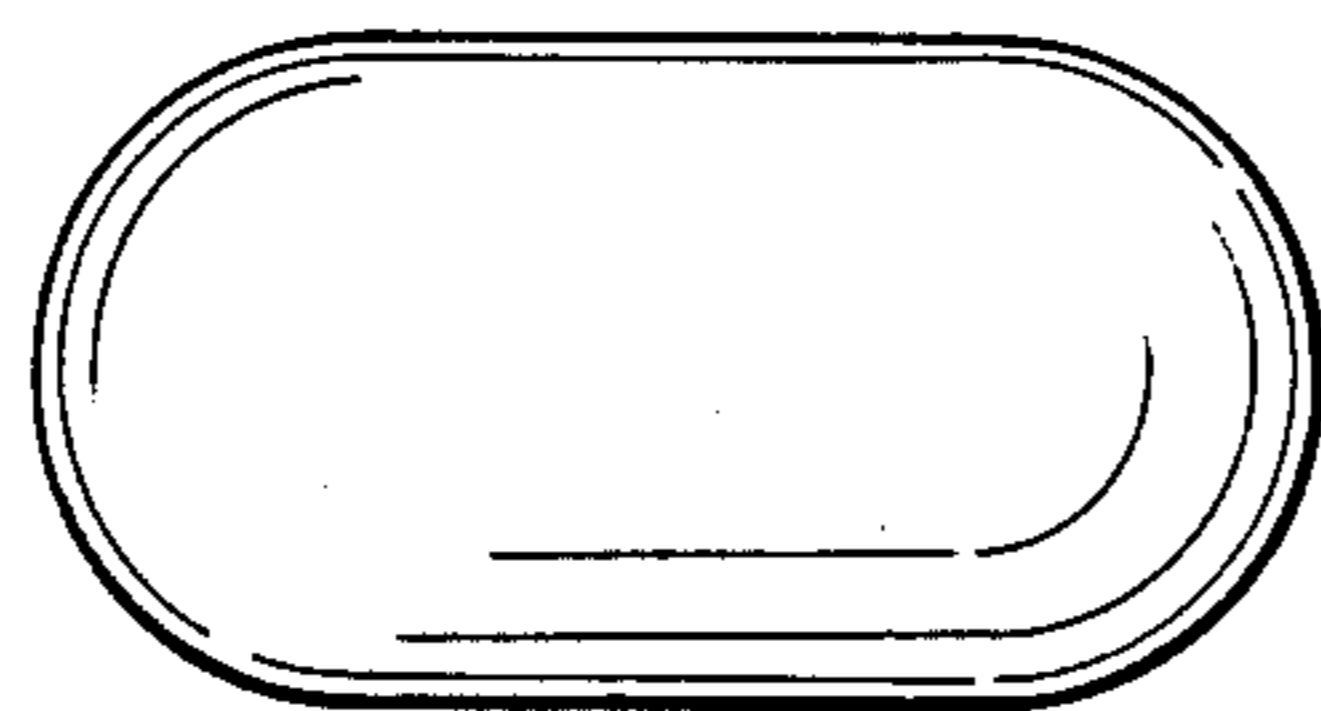


FIG. 5

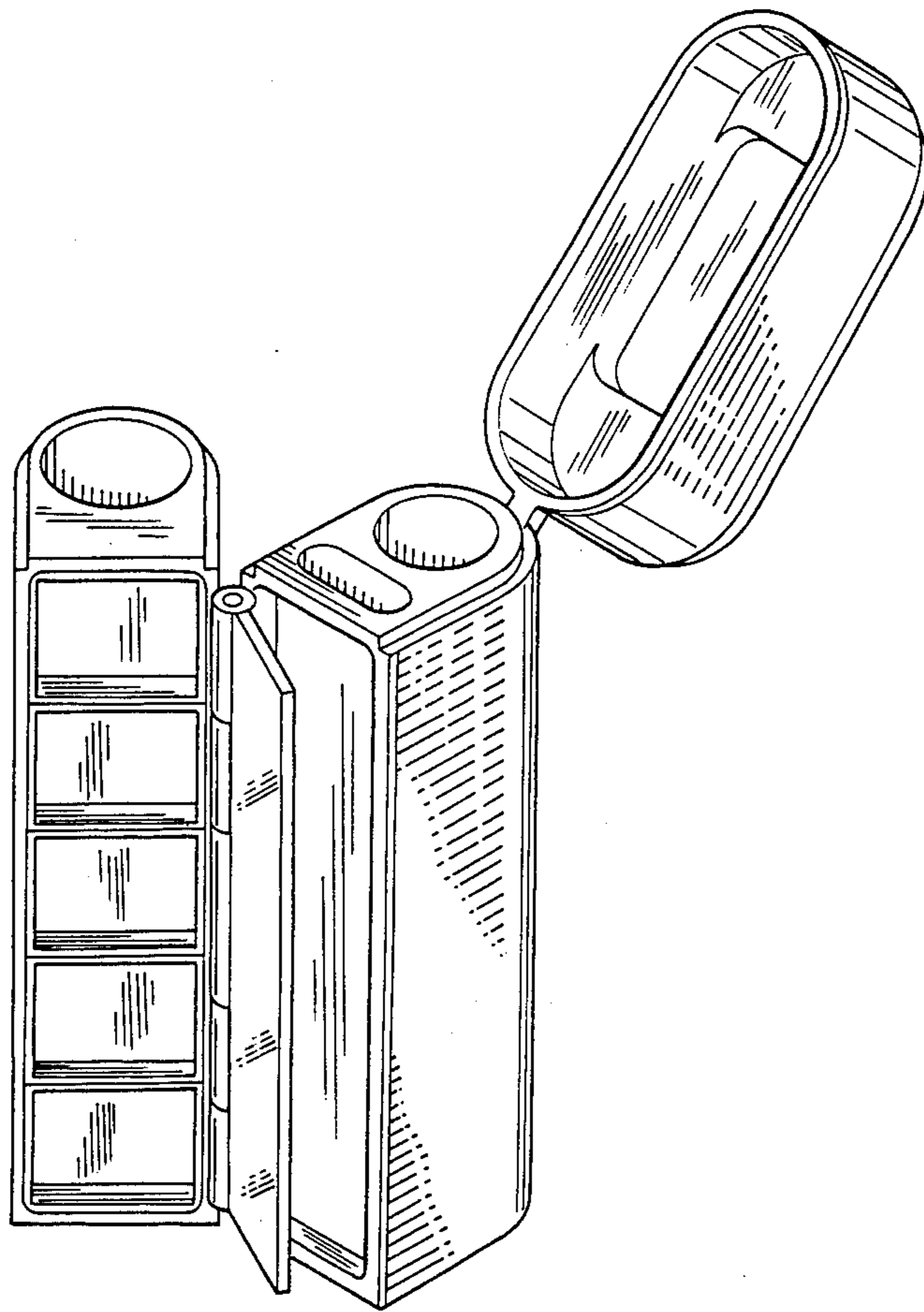


FIG. 6

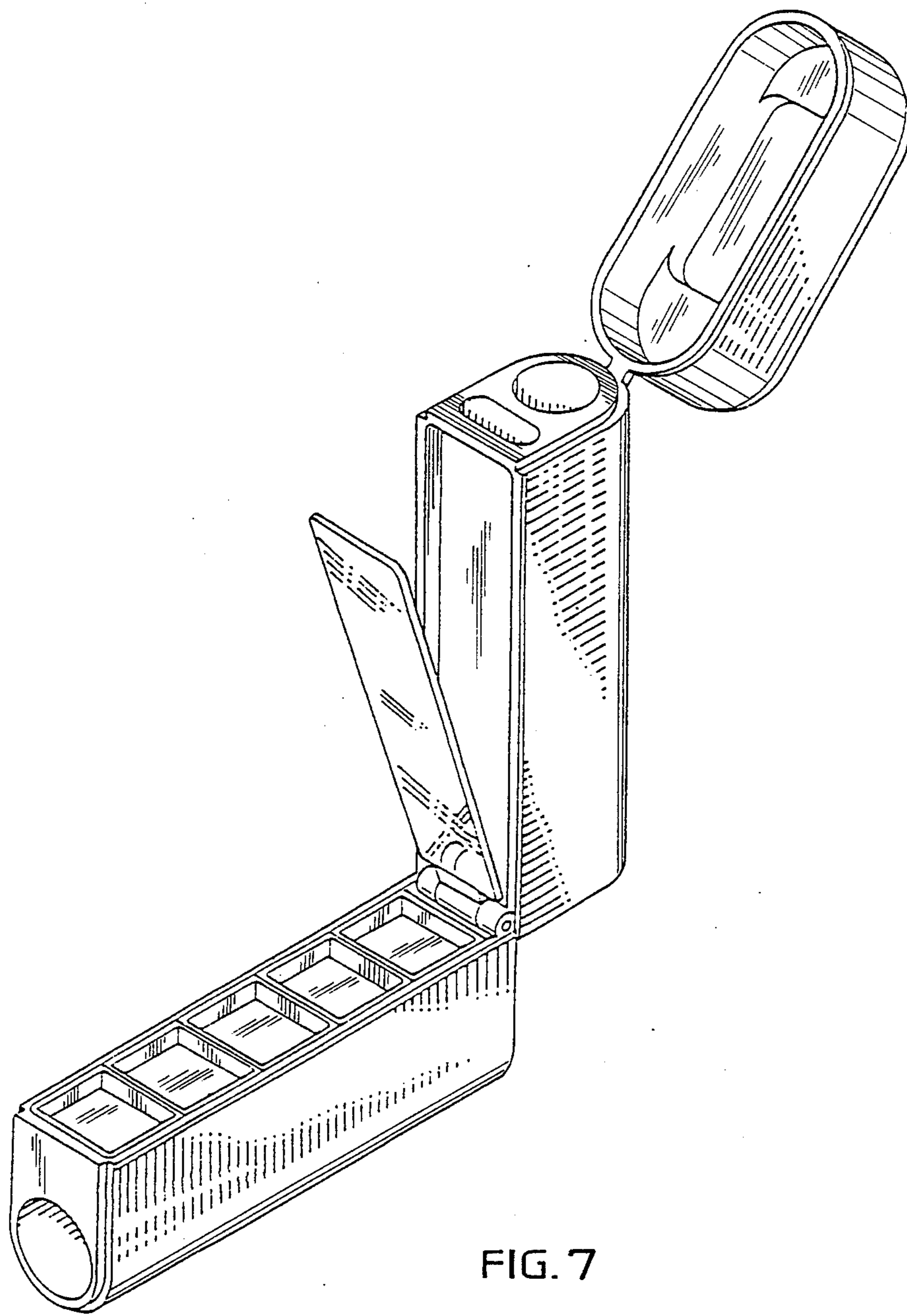


FIG. 7