

[54] DENTAL FLOSS HOLDER

[76] Inventor: Elizabeth A. Bethany, 203 Casa Urbano, Clinton, Miss. 39056

[**] Term: 14 Years

[21] Appl. No.: 880,906

[22] Filed: Jul. 1, 1986

[52] U.S. Cl. D28/64

[58] Field of Search D28/64; 132/89-93

[56] References Cited

U.S. PATENT DOCUMENTS

D. 286,684	11/1986	Shao	D28/64
1,667,134	4/1928	Sherwood	132/91
2,607,358	8/1952	Maas	132/92 R
4,016,891	4/1977	Kupperman et al.	132/84 R
4,206,774	6/1980	Griparis	132/92 R
4,753,254	6/1988	McCullough et al.	132/90

FOREIGN PATENT DOCUMENTS

2403380 8/1974 Fed. Rep. of Germany 132/91

Primary Examiner—Wallace R. Burke

Assistant Examiner—Kay H. Chin

Attorney, Agent, or Firm—Brady, O'Boyle and Gates

[57] CLAIM

The ornamental design for a dental floss holder, as shown and described.

DESCRIPTION

FIG. 1 is a perspective view of a dental floss holder showing my new design.

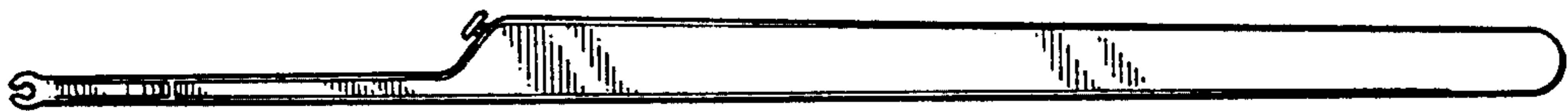
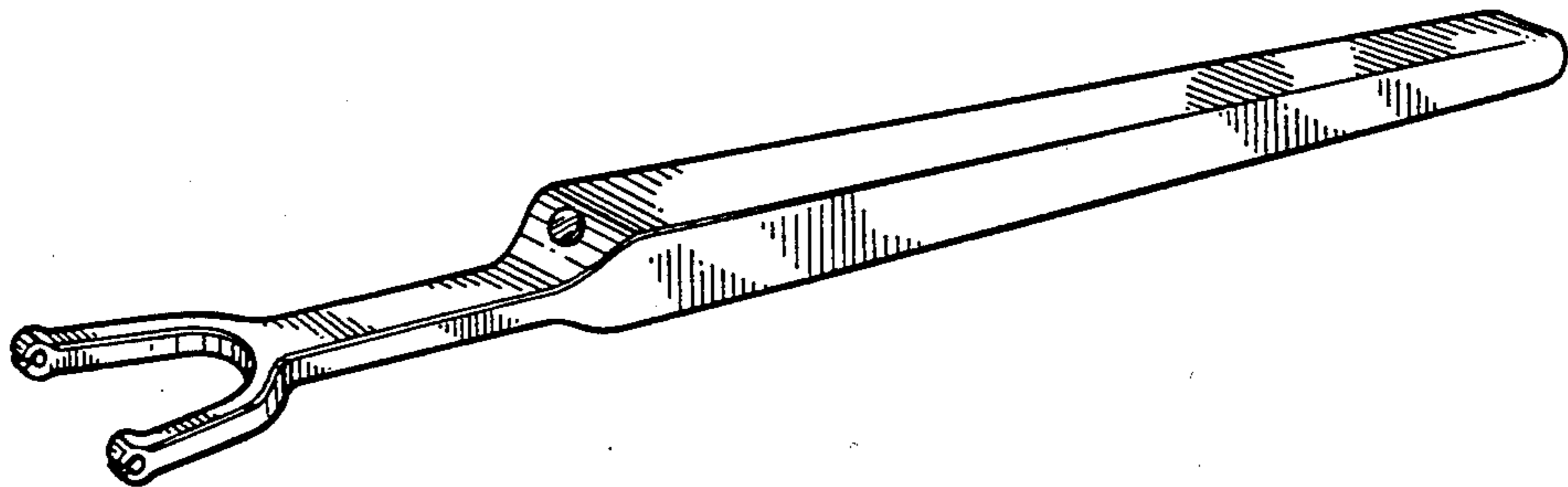
FIG. 2 is a side elevational view thereof.

FIG. 3 is a front elevational view thereof.

FIG. 4 is a top plan view thereof.

FIG. 5 is a rear elevational view thereof.

The bottom of the dental floss holder is flat and unornamented.



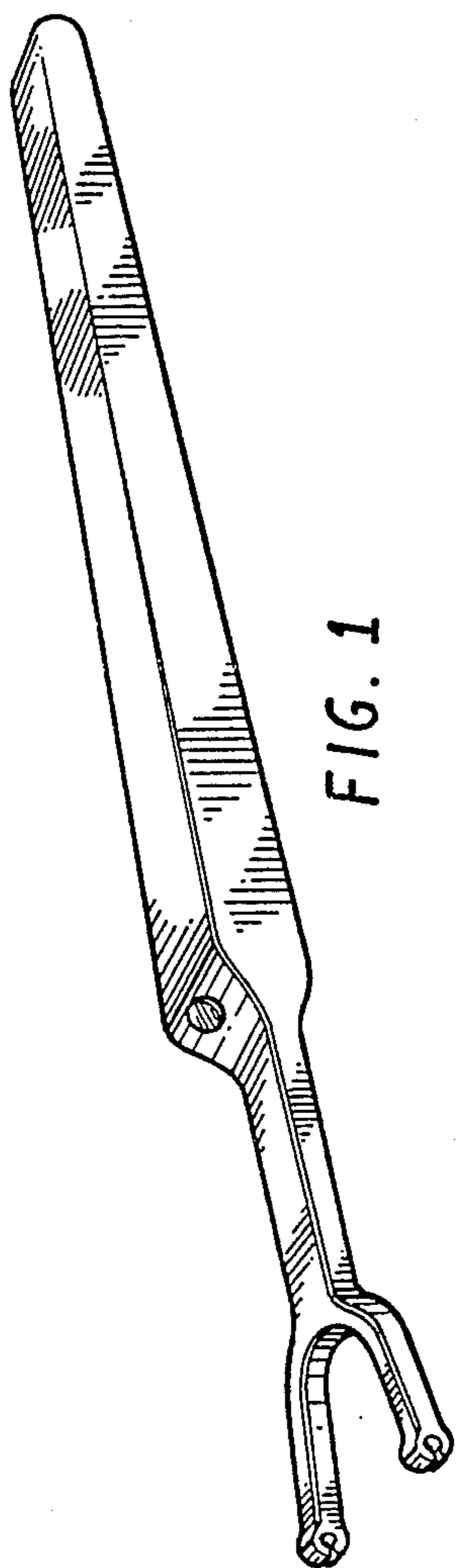


FIG. 1



FIG. 2



FIG. 3

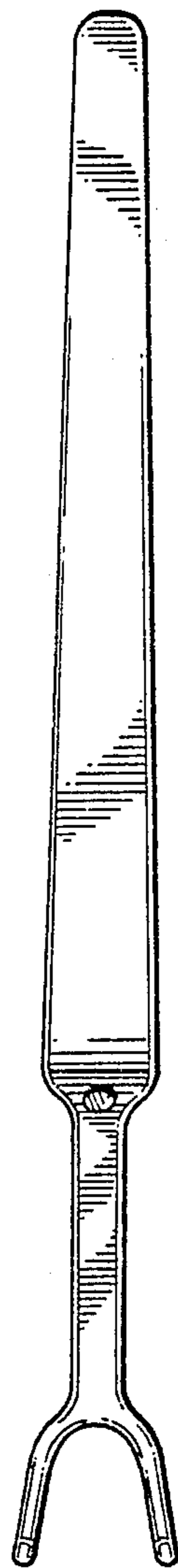


FIG. 4

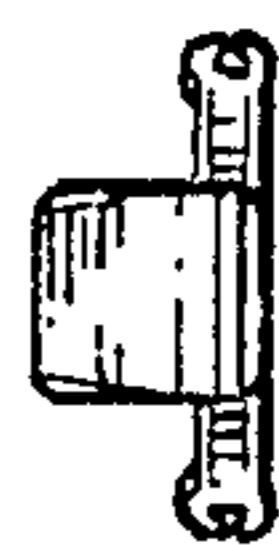


FIG. 5