

[54] COMBINED CONTAINER AND
APPLICATOR FOR HAIR TINT

[76] Inventor: Juanita Herndon, 8241 S. Marshfield
St., Chicago, Ill. 60620

[**] Term: 14 Years

[21] Appl. No.: 916,458

[22] Filed: Oct. 7, 1986

[52] U.S. Cl. D28/20; D9/338;
D28/7

[58] Field of Search D28/4-7,
D28/9, 20, 73-91.1, 99; D9/337, 338, 392, 407;
132/202, 203, 208, 212, 112-115, 286, 333

[56] References Cited

U.S. PATENT DOCUMENTS

D. 266,538 10/1982 Kahn D28/7
4,209,027 6/1980 Morganroth 132/212

Primary Examiner—Louis S. Zarfes
Attorney, Agent, or Firm—Terry M. Gernstein

[57] CLAIM

The ornamental design for a combined container and
applicator for hair tint, as shown and described.

DESCRIPTION

FIG. 1 is an isometric view including the rear end of a
combined container and applicator for hair tint showing
my new design;

FIG. 2 is an isometric view including the front end;

FIG. 3 is an isometric view showing the inside of the
cap; and

FIG. 4 is an isometric view of a disc to be placed inside
the cap to prevent any dispensing.

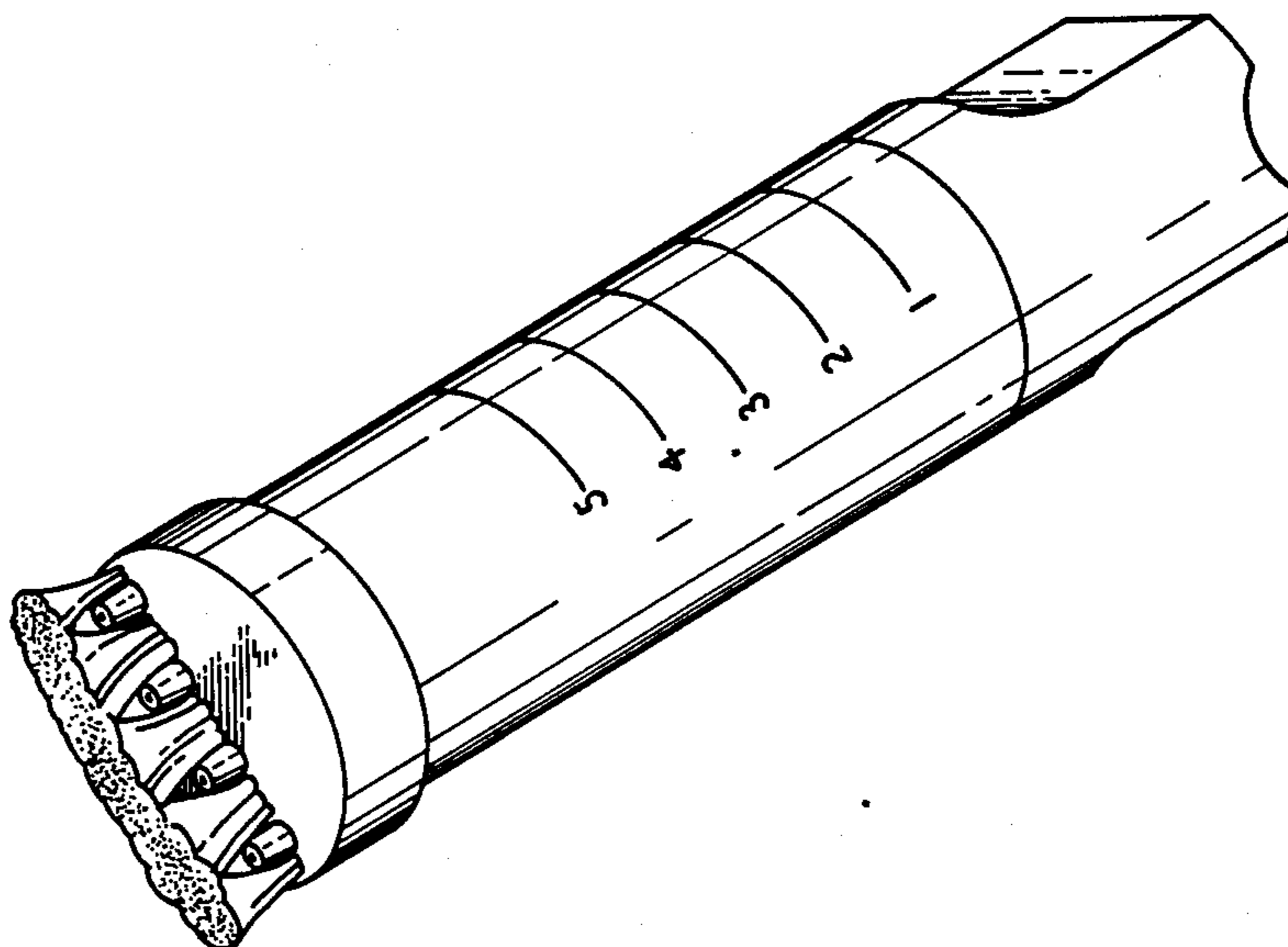


Fig. 1

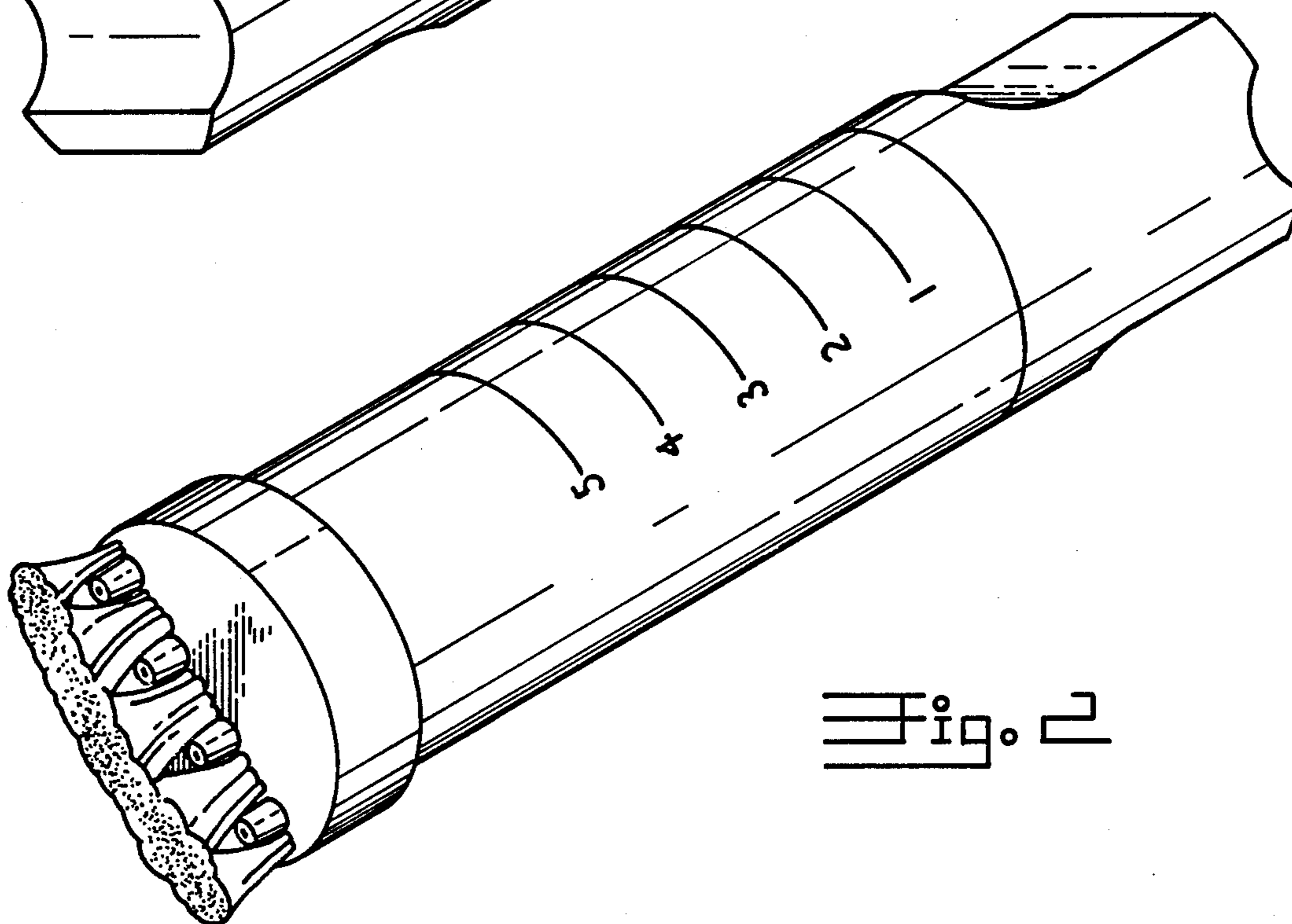
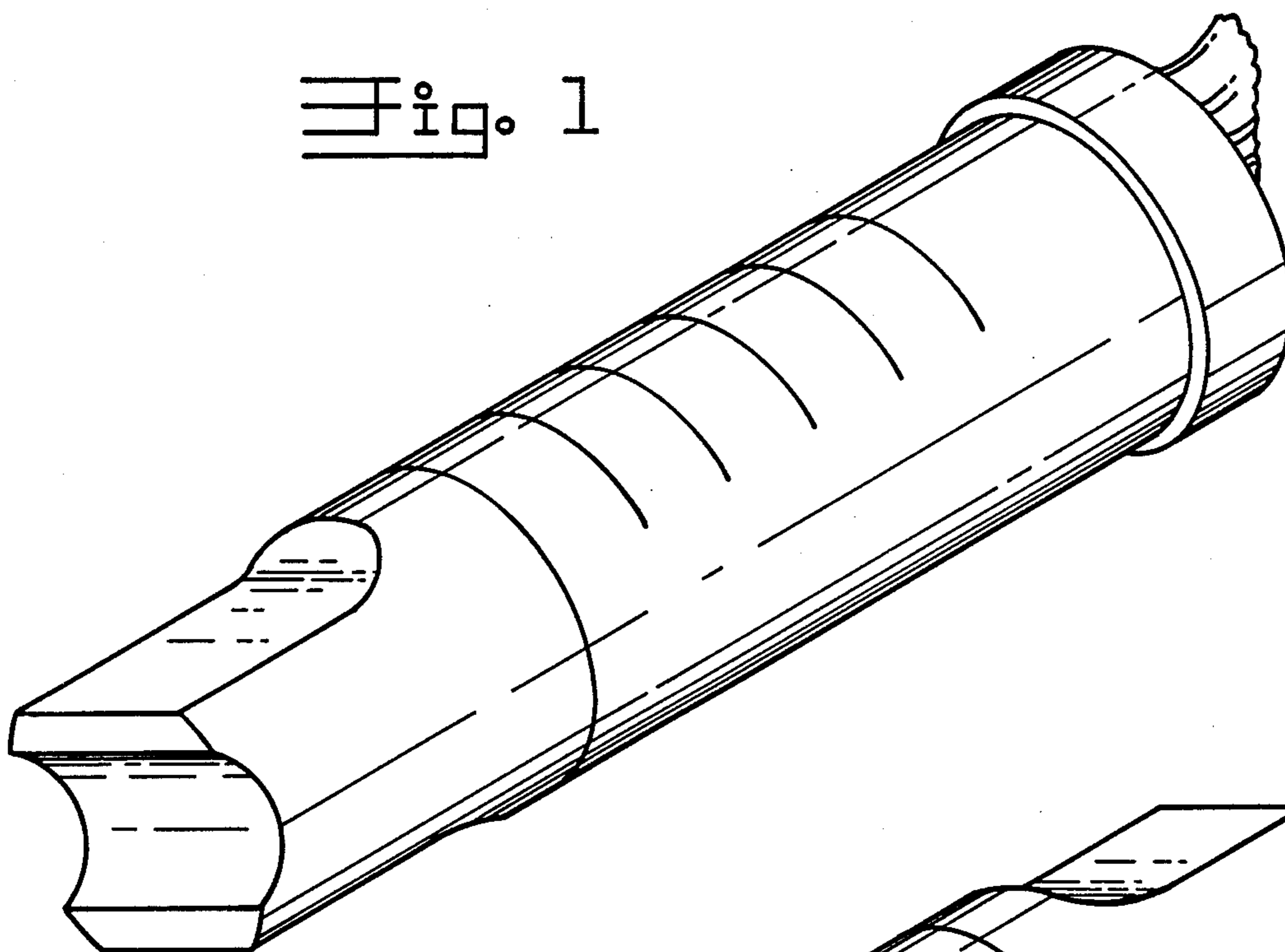


Fig. 2

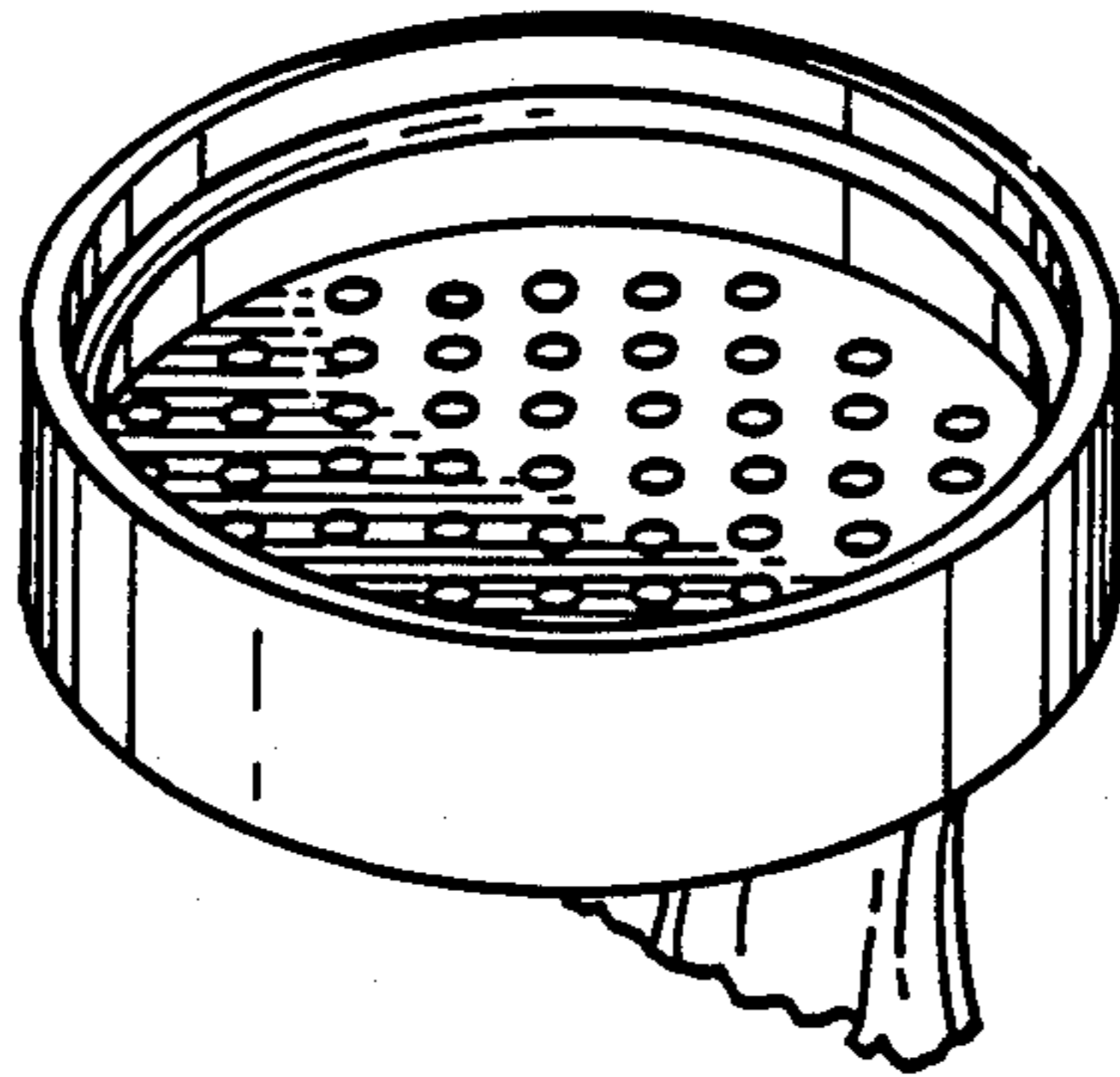


Fig. 3

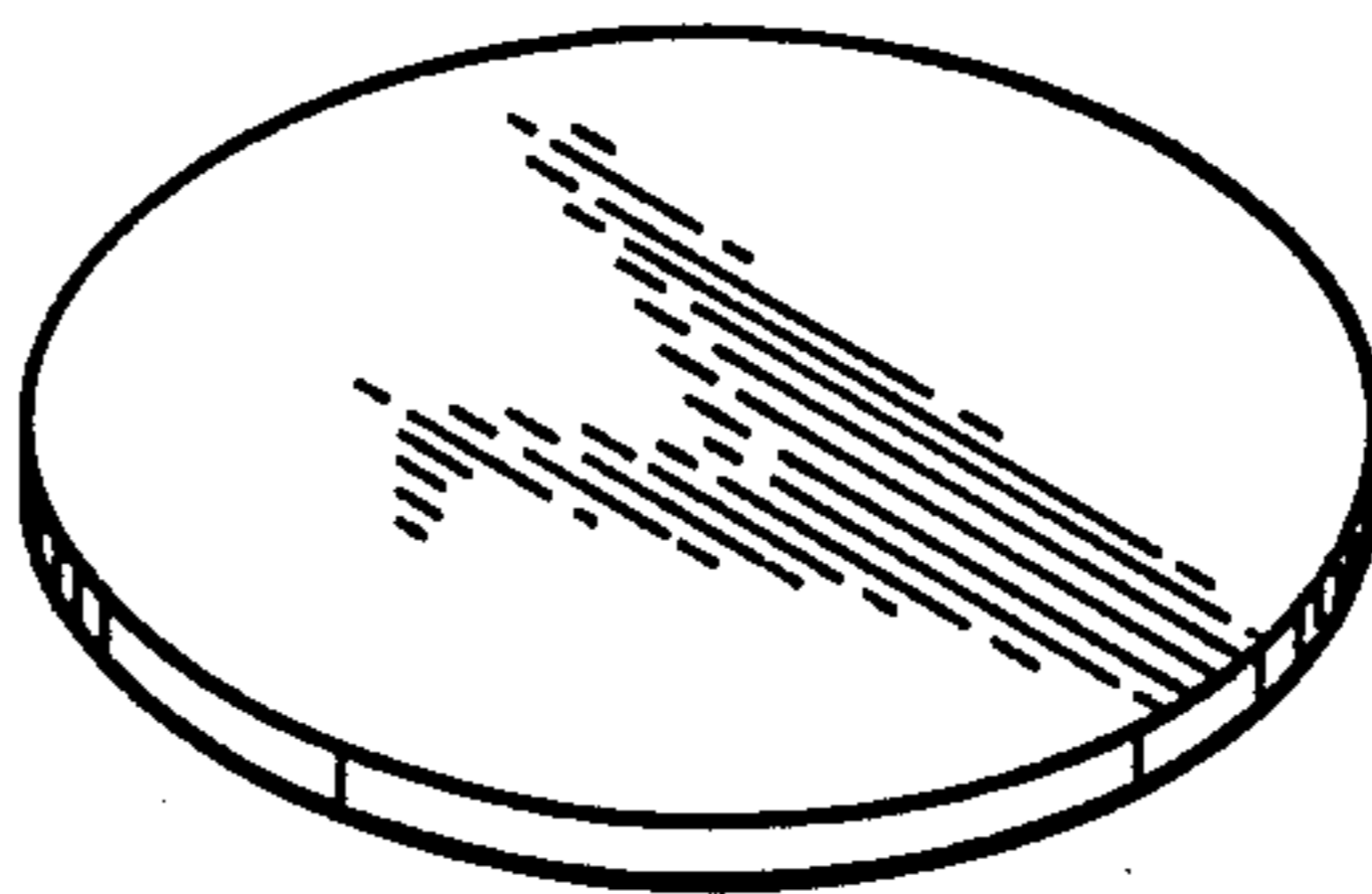


Fig. 4