

[54] PHARMACEUTICAL TABLET
[75] Inventors: Gregory A. Rhoa, Collegeville;
Pravinchandra B. Shah, Warminster,
both of Pa.

D. 202,392 9/1965 Horne D28/8.1
D. 213,873 4/1969 Bryan D28/2
D. 218,368 8/1970 Johnson D28/8.1
D. 258,091 1/1981 Reed et al. D28/2
D. 285,259 8/1986 Tovey D28/2

[73] Assignee: Rorer Pharmaceutical Corporation,
Fort Washington, Pa.

Primary Examiner—Wallace R. Burke
Assistant Examiner—Kay H. Chin

[**] Term: 14 Years

[57] CLAIM

[21] Appl. No.: 121,772

The ornamental design for a pharmaceutical tablet, as shown and described.

[22] Filed: Nov. 16, 1987

[52] U.S. Cl. D28/2; D28/8.1

DESCRIPTION

[58] Field of Search D28/1, 2, 3, 8.1, 8.2;
424/464, 465, 466, 467, 468, 472, 473, 474;
426/97, 98; 252/92; D1/100, 106, 112, 121, 127,
128, 129, 199; D21/53; D13/3.2, 3; D9/430,
431

FIG. 1 is a top perspective view of a pharmaceutical tablet showing our new design;
FIG. 2 is a top plan view thereof, the bottom plan view being a mirror image of that shown;
FIG. 3 is a front elevational view thereof, the rear elevational view being a mirror image of that shown; and
FIG. 4 is an end elevational view thereof, the opposite end elevational view being a mirror image of that shown.

[56] References Cited
U.S. PATENT DOCUMENTS

D. 187,372 3/1960 Dailey D28/2

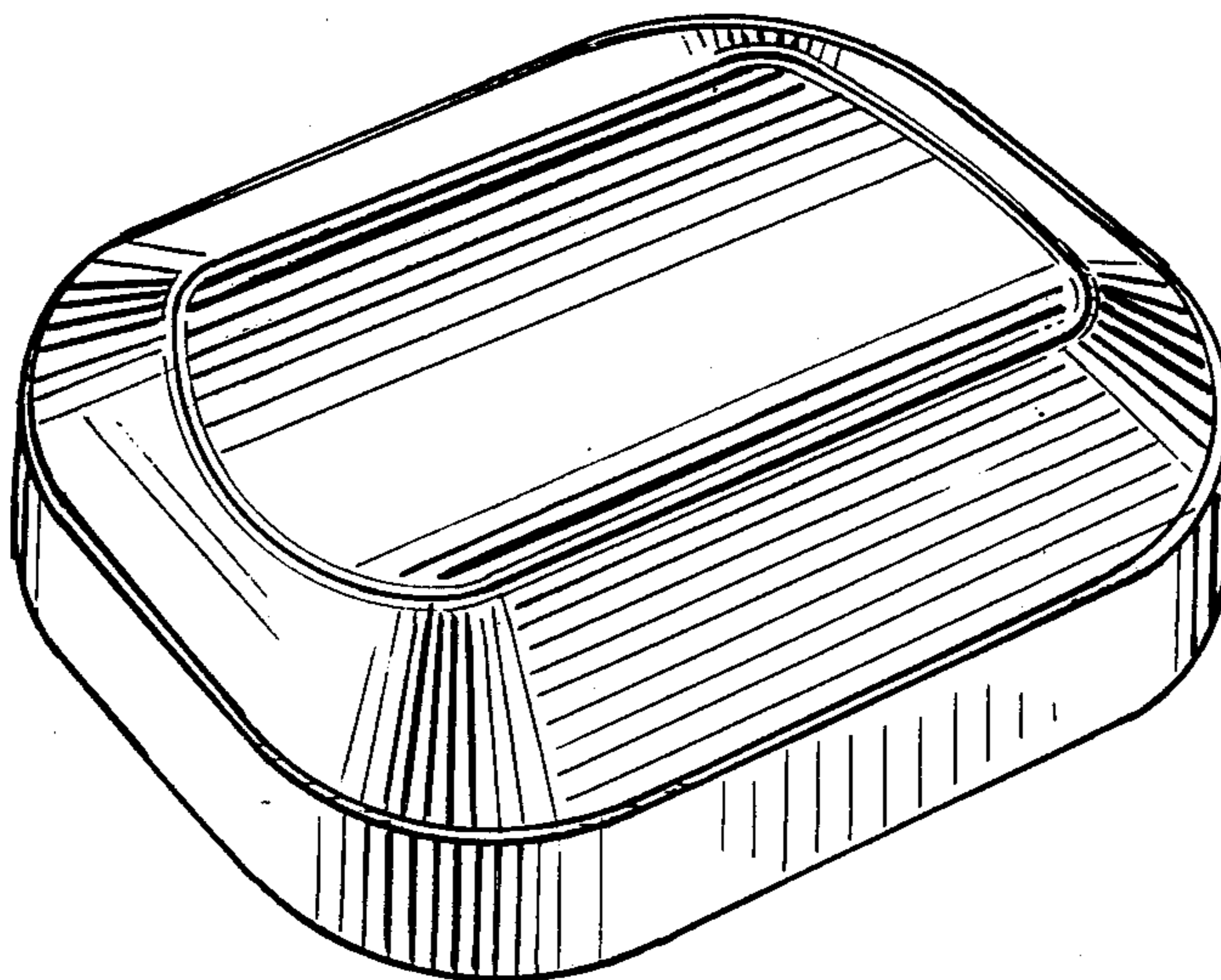


Fig. 1.

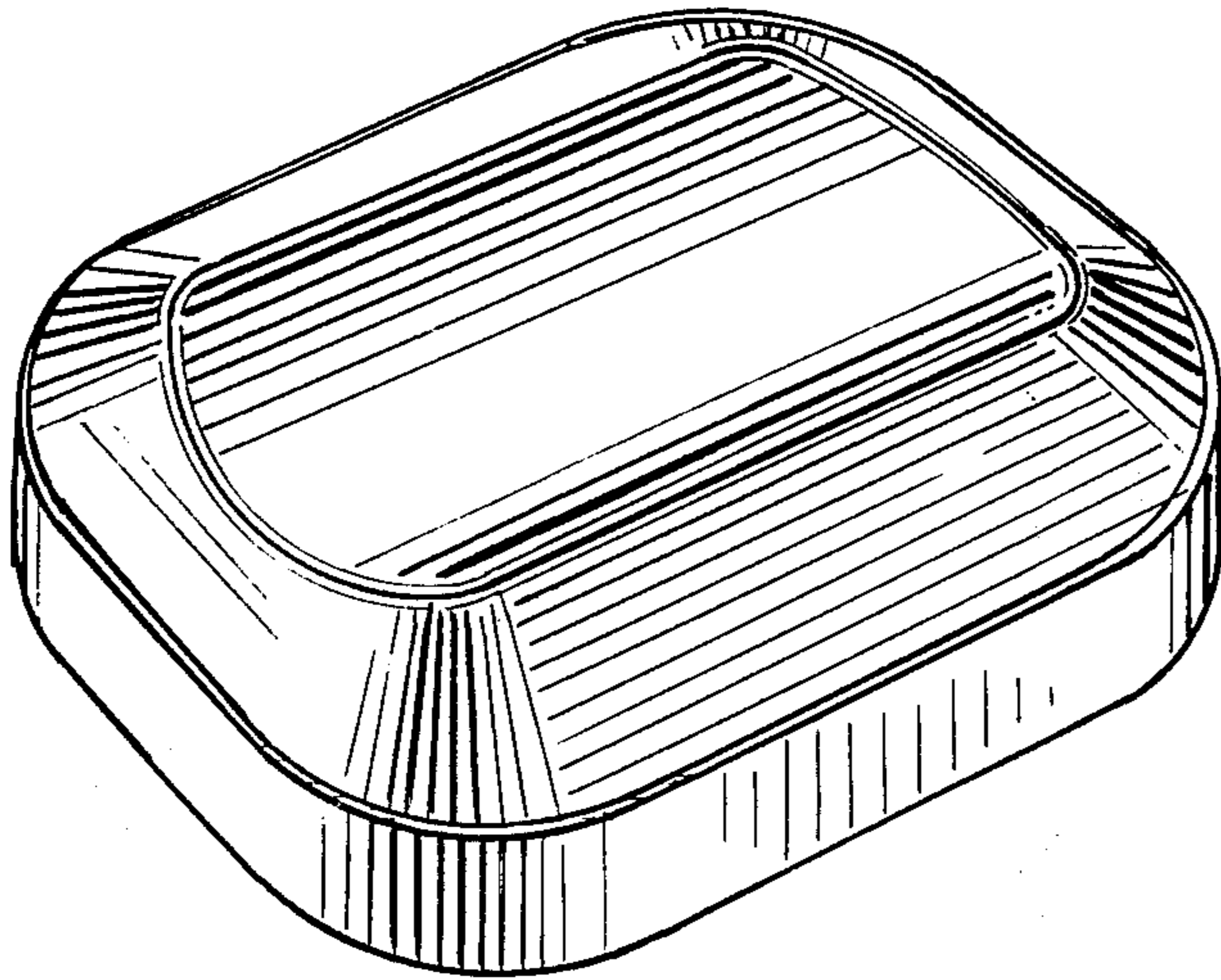


Fig. 3.

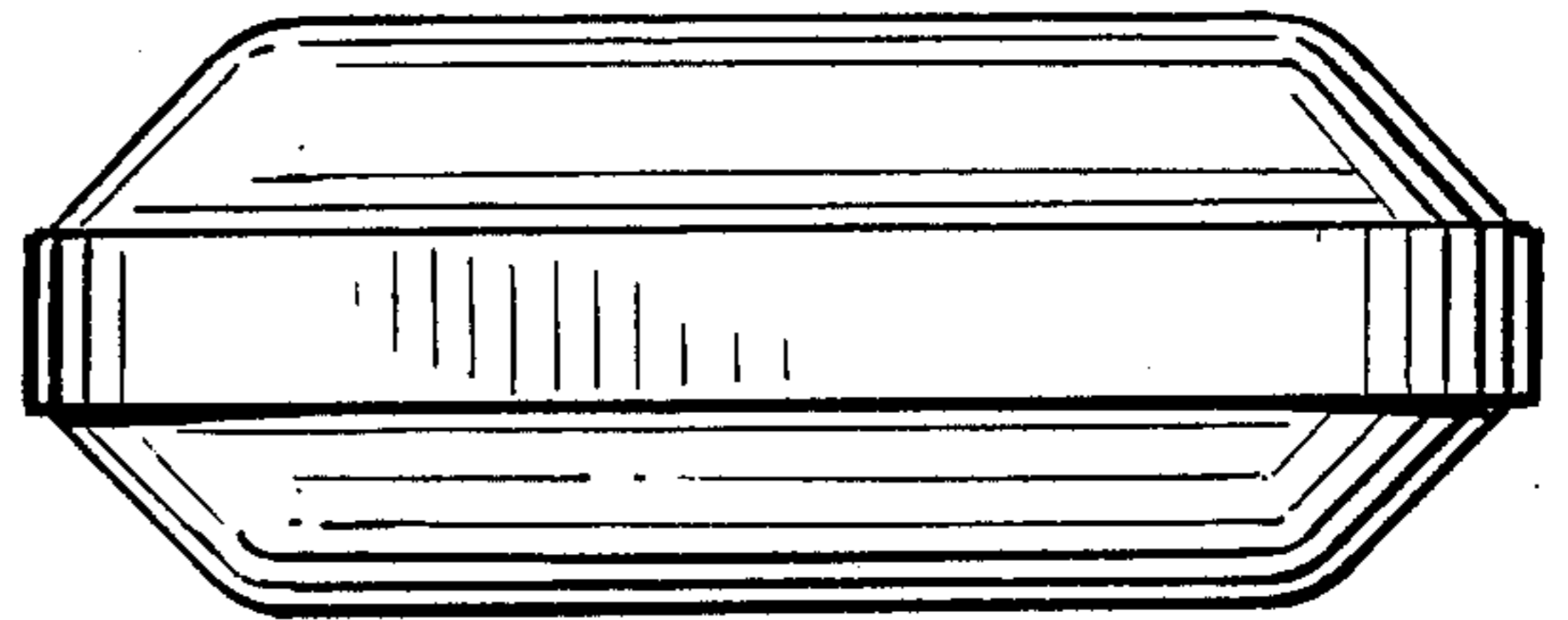


Fig. 4.

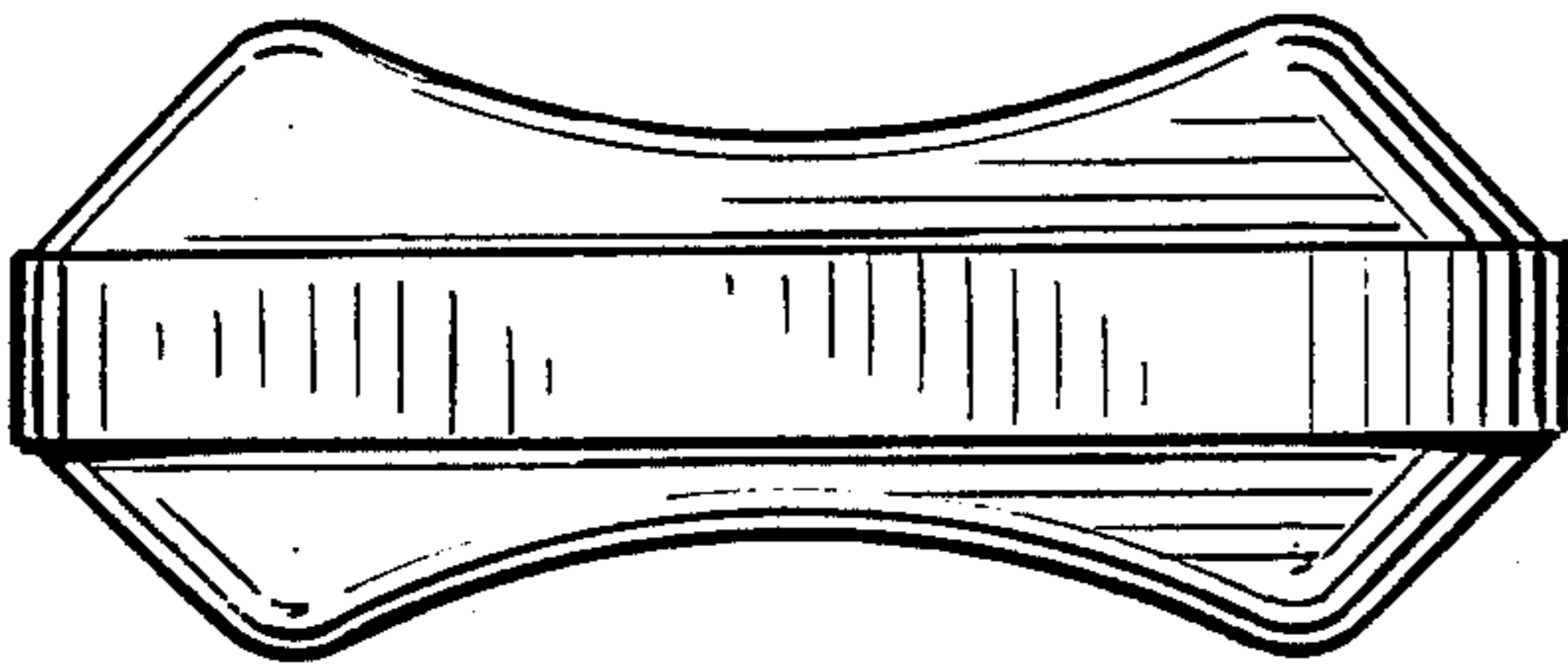


Fig. 2.

