

[54] **STANDING LAMP**

[75] **Inventor: Carlo Forcolini, Milan, Italy**

[73] **Assignee: Artemide S.P.A., Milan, Italy**

[**] **Term: 14 Years**

[21] **Appl. No.: 5,523**

[22] **Filed: Jan. 20, 1987**

[30] **Foreign Application Priority Data**

Jul. 23, 1986 [IT] Italy 22607 B/86

[52] **U.S. Cl. D26/106**

[58] **Field of Search D26/93, 102-112;
362/410-414**

[56] **References Cited**

PUBLICATIONS

Abitare Supplement Magazine, 7-8-1981, p. 16, Item 2,
"Cuffia" Lamp.

Domus, 6-1985, Ads-p. 43, bottom row, center, floor
lamp.

Form 108/109, p. 30, 1-1985 floor lamp.

Primary Examiner—Susan J. Lucas
Attorney, Agent, or Firm—Guido Modiano; Albert Josif

[57] **CLAIM**

The ornamental design for standing lamp, as shown and described.

DESCRIPTION

FIG. 1 is a front perspective view of a standing lamp showing my new design;

FIG. 2 is a fragmentary front elevational view thereof, on an enlarged scale;

FIG. 3 is a fragmentary rear elevational view thereof, on an enlarged scale;

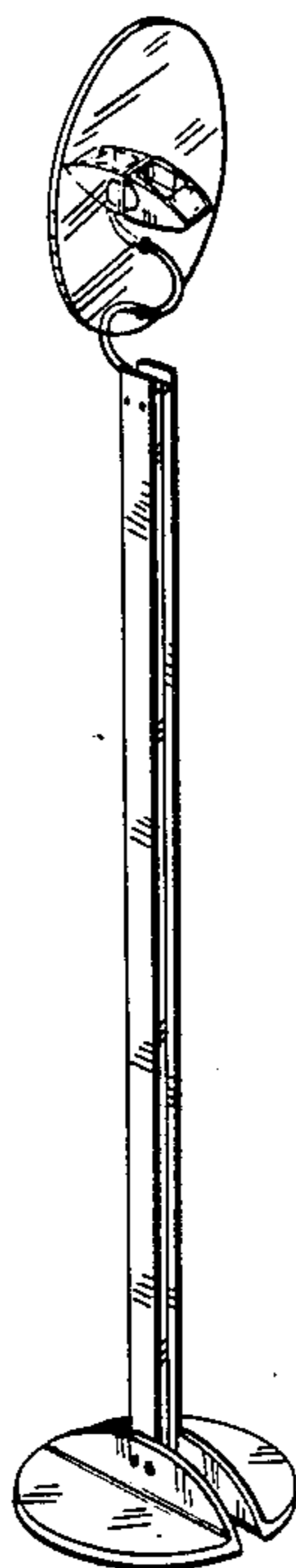
FIG. 4 is a fragmentary side elevational view thereof, on an enlarged scale;

FIG. 5 is a fragmentary opposite side elevational view thereof, on an enlarged scale;

FIG. 6 is a top plan view thereof, on an enlarged scale;

FIG. 7 is a bottom plan view thereof, on an enlarged scale.

The upright is broken away in FIGS. 2, 3, 4 and 5 for convenience of illustration.



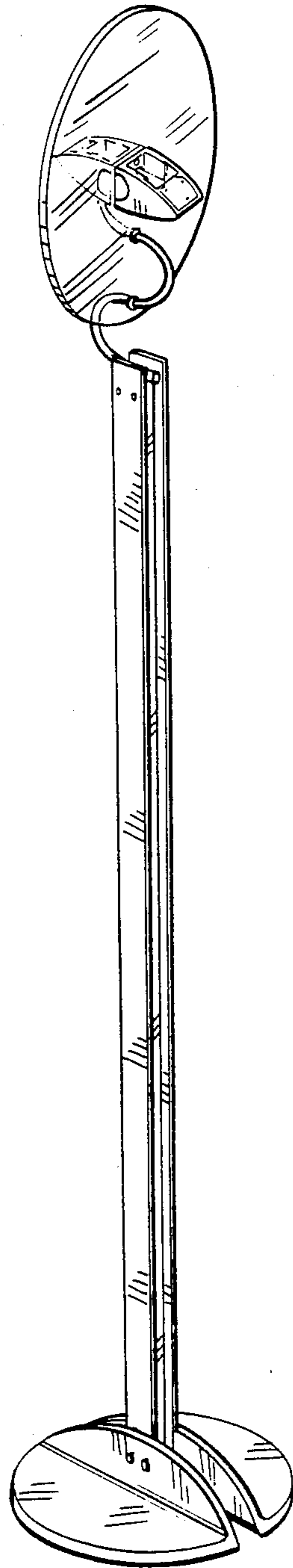


Fig. 1

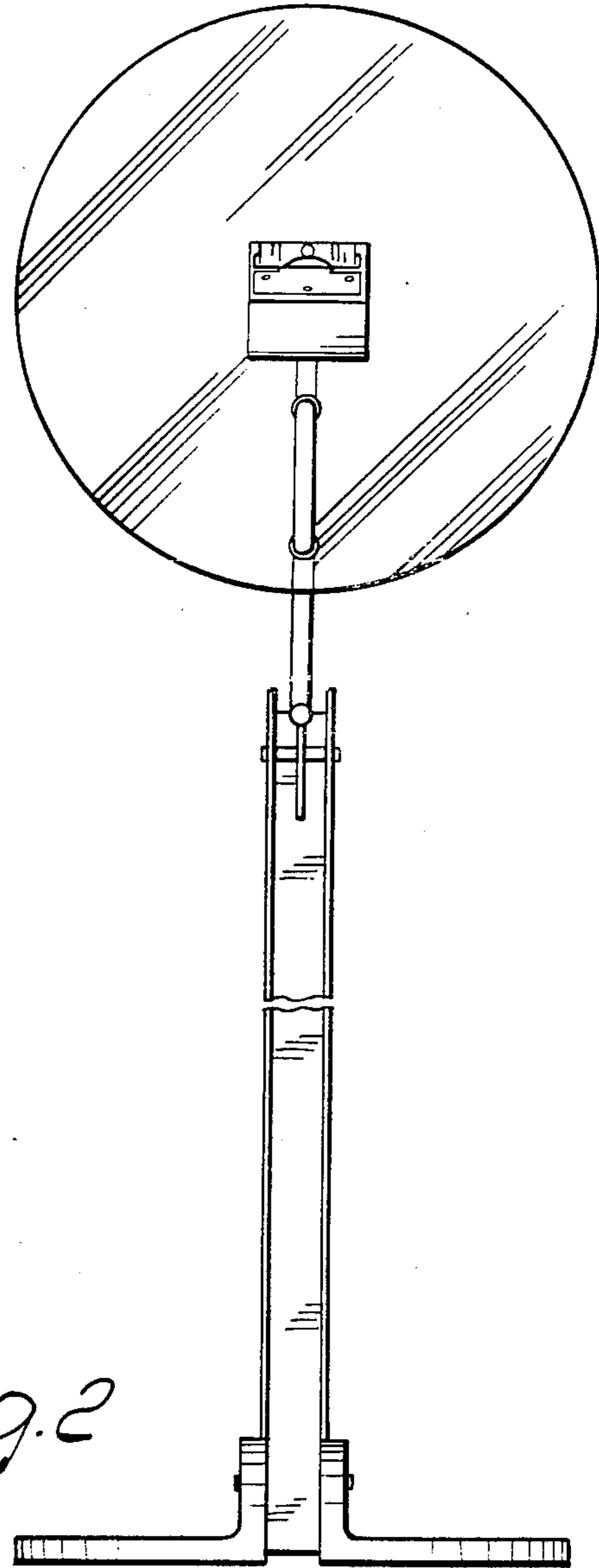


Fig. 2

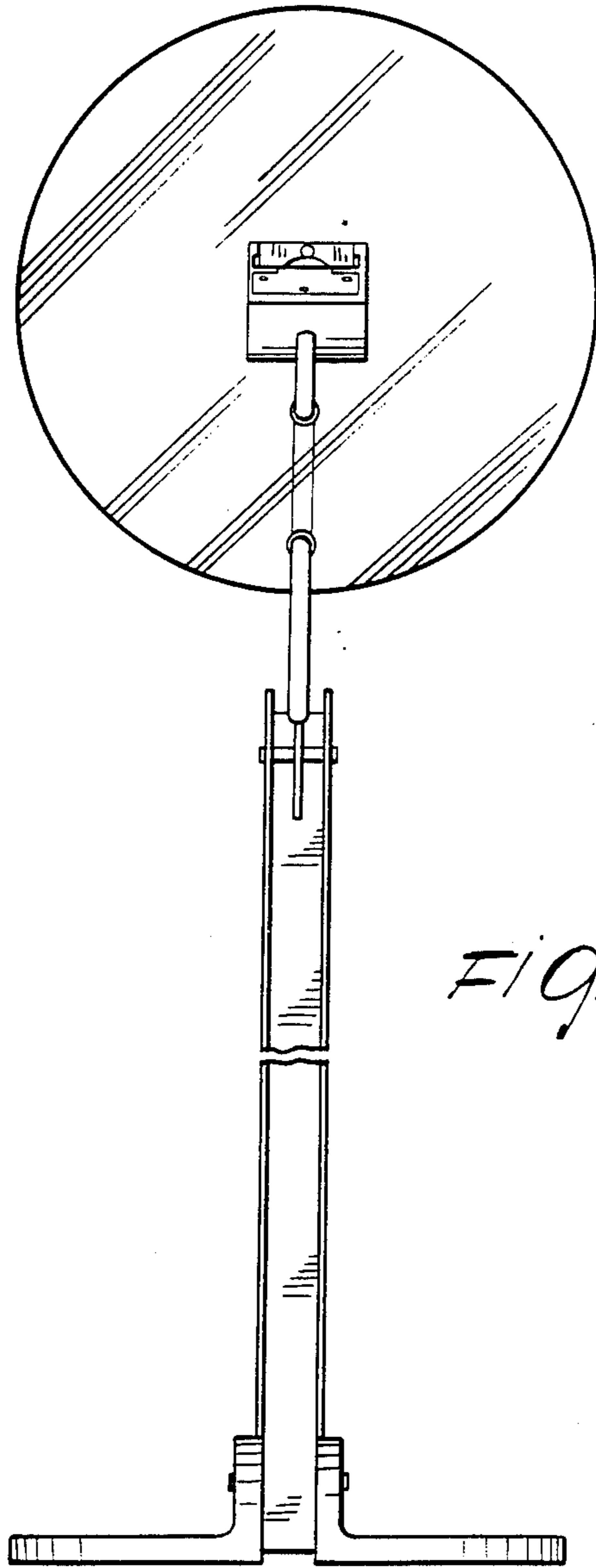


FIG. 3

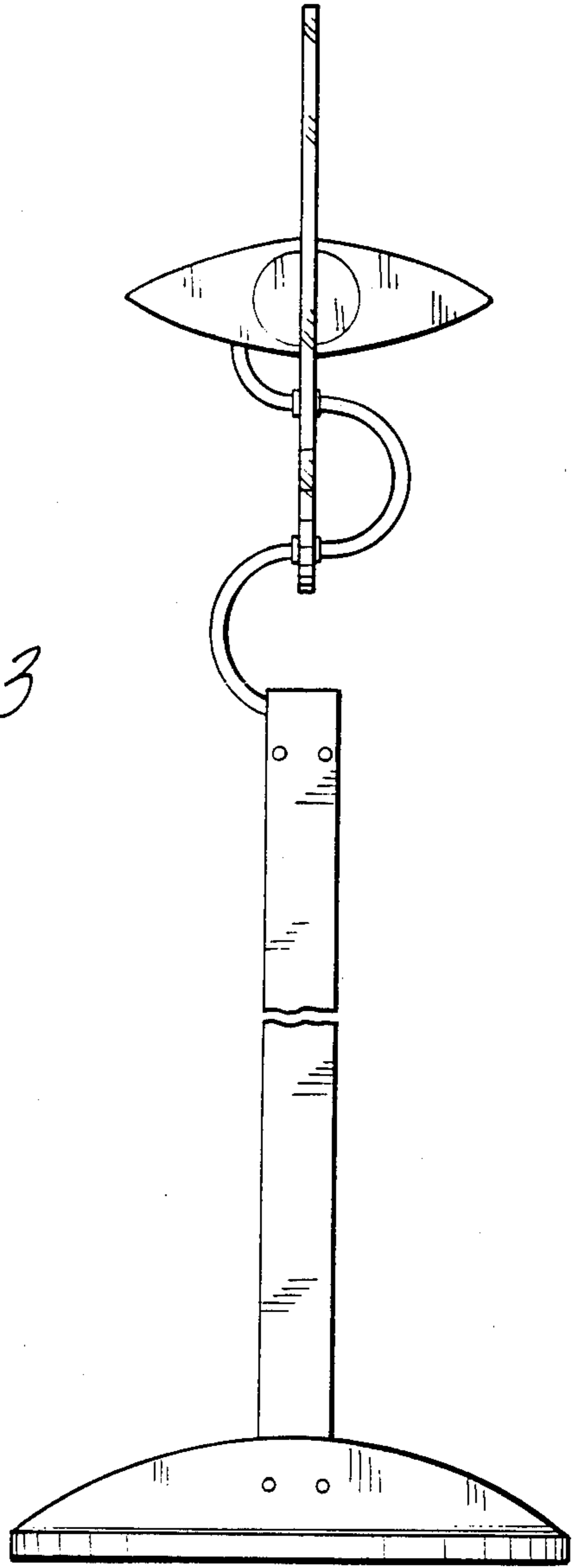


FIG. 4

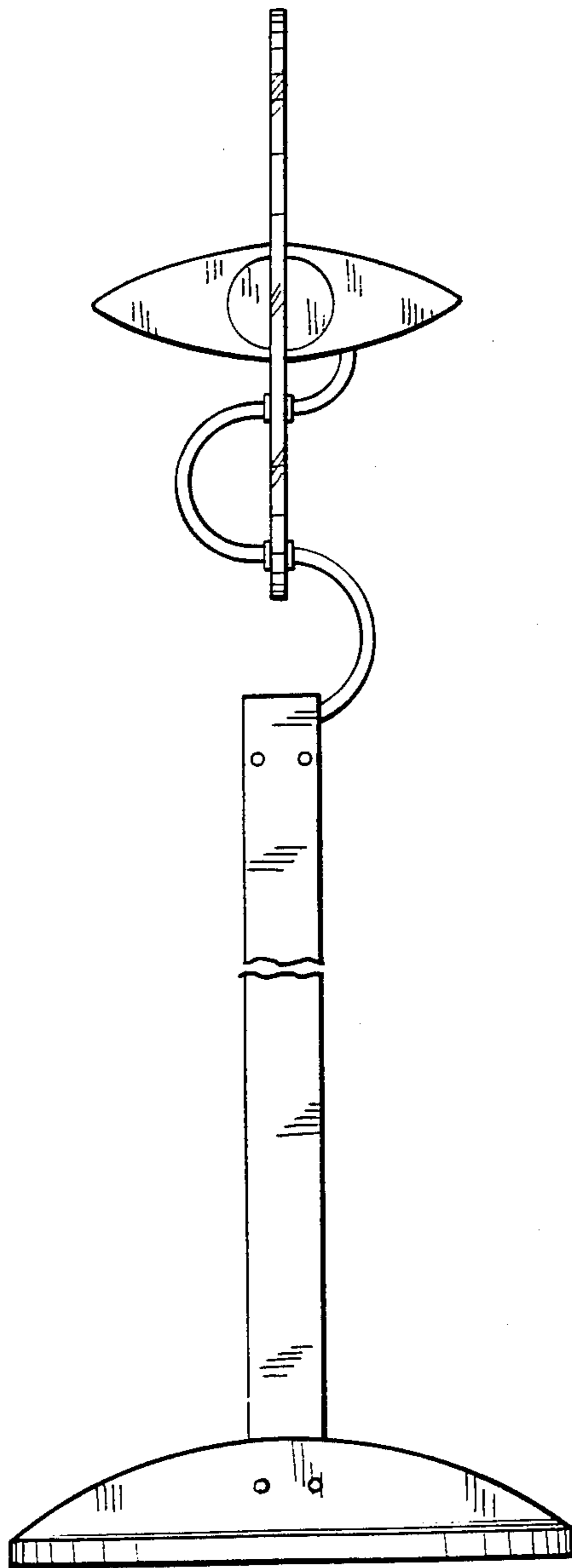


FIG. 5

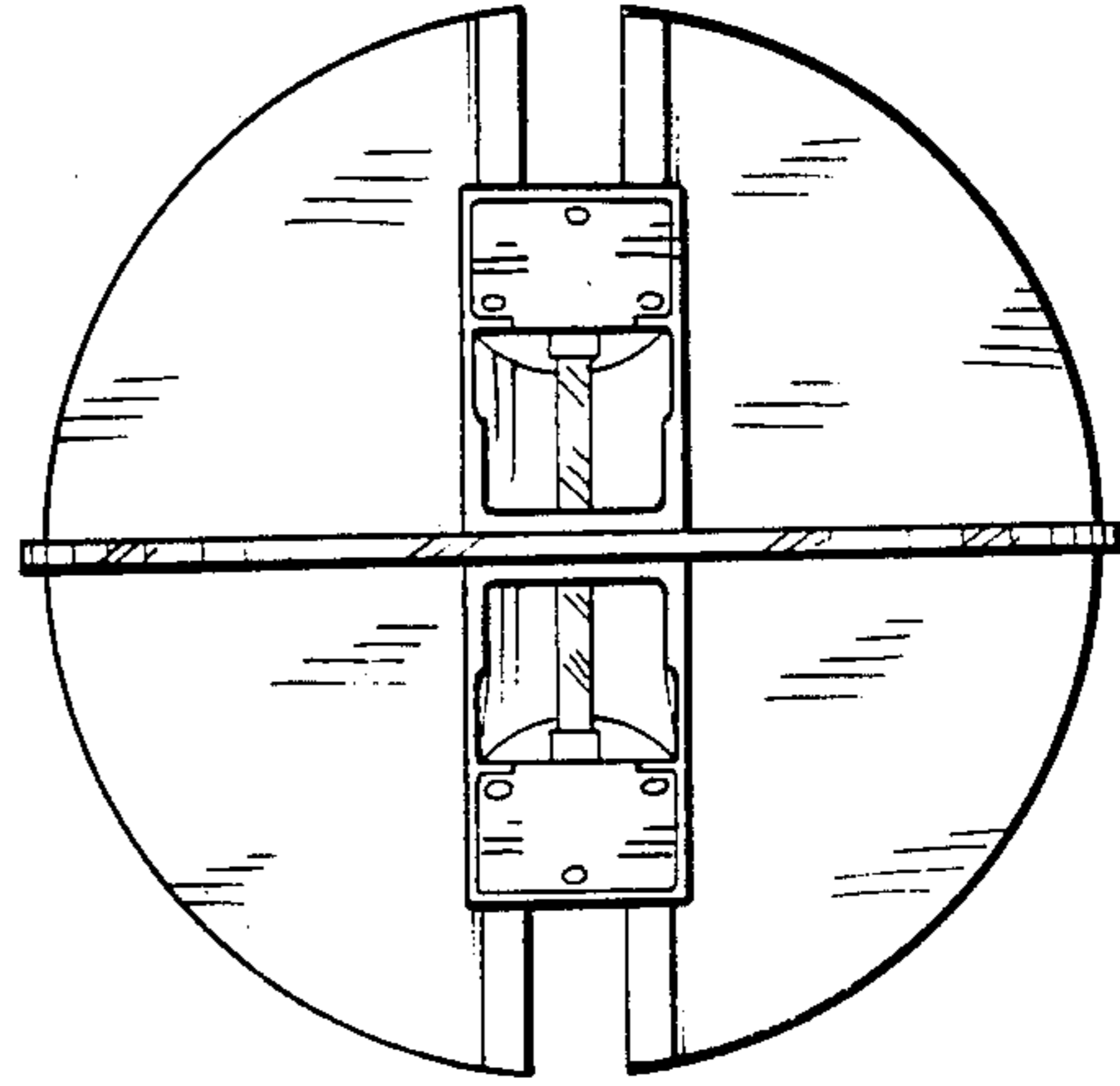


FIG. 6

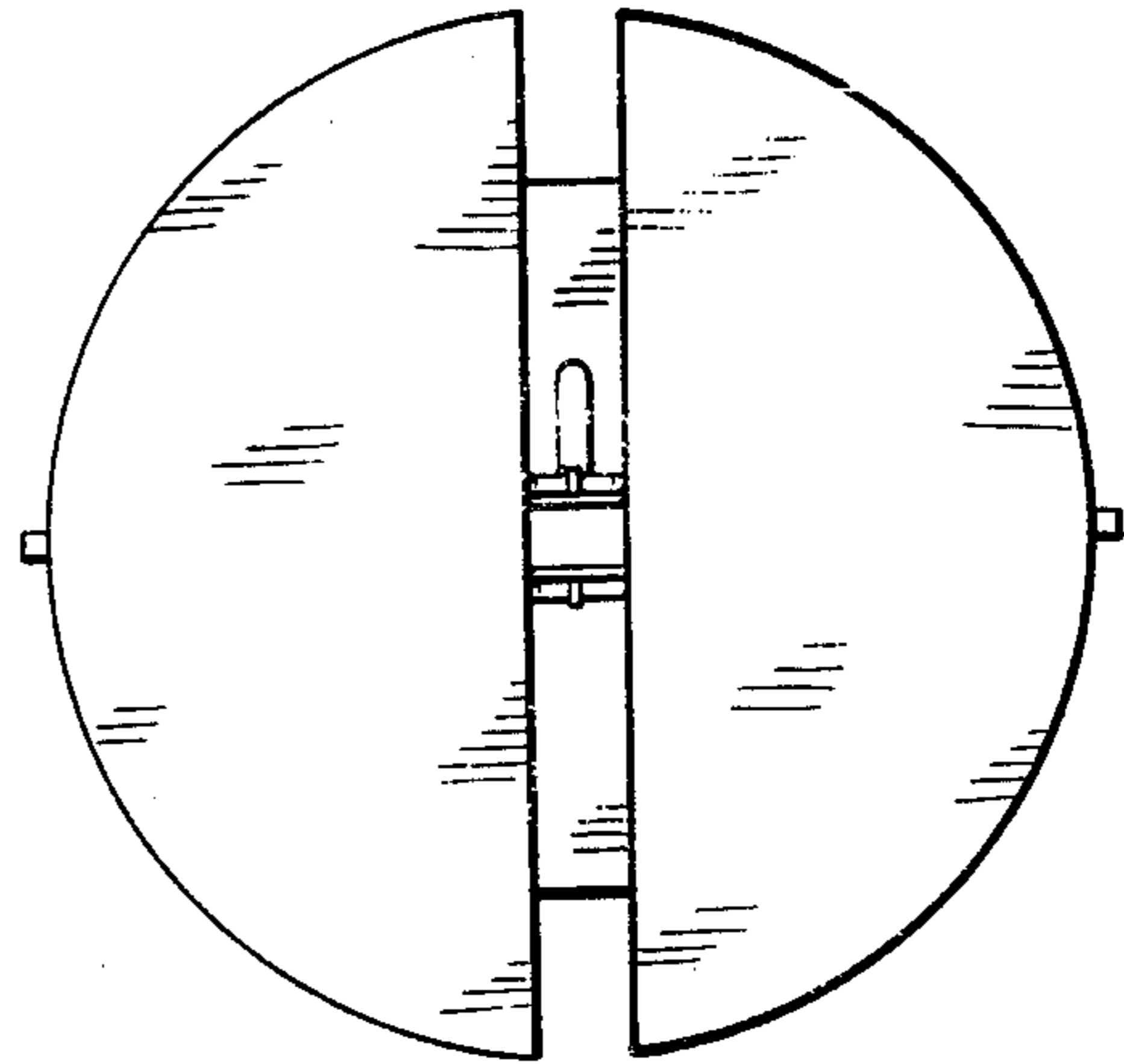


FIG. 7