

[54] LIGHT FIXTURE

[75] Inventor: Robert J. Gaul, New York, N.Y.

[73] Assignee: Archetype Gallery, Inc., New York, N.Y.

[\*\*] Term: 14 Years

[21] Appl. No.: 939,762

[22] Filed: Dec. 9, 1986

[52] U.S. Cl. .... D26/37; D26/63

[58] Field of Search ..... D26/37-50,  
D26/61, 63; D10/114; 362/157, 158, 183-208;  
340/81, 84, 114 B, 109, 321

[56] References Cited

U.S. PATENT DOCUMENTS

D. 171,457 2/1954 Osman ..... D26/50

D. 187,489 3/1960 Pulos et al. .... D10/114  
2,932,018 4/1960 Schwartz ..... 340/84 X  
3,014,123 12/1961 Mainzer ..... 362/157 X  
4,374,376 2/1983 Pillifant, Jr. .... 340/90 X

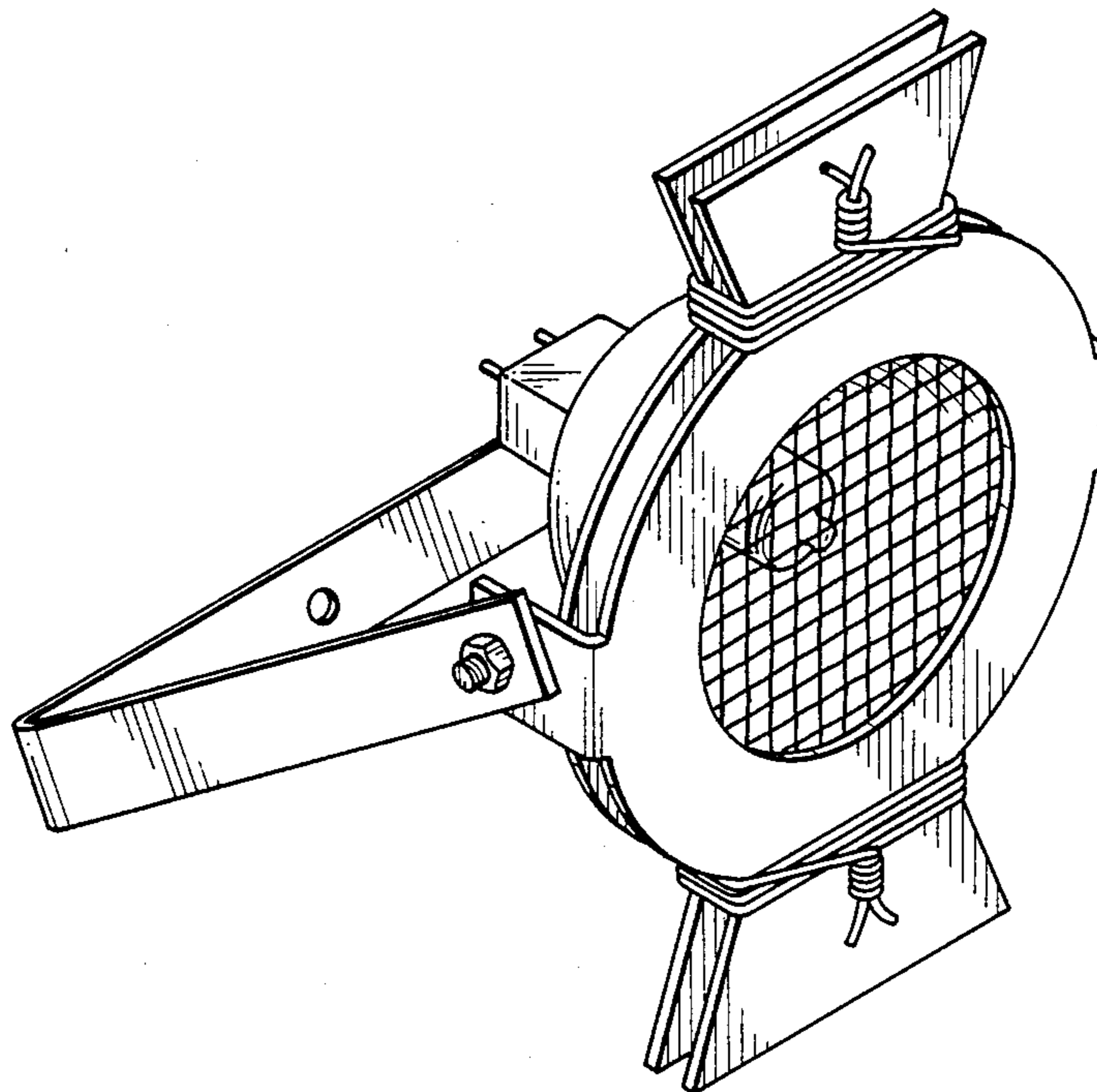
Primary Examiner—Susan J. Lucas  
Attorney, Agent, or Firm—Ned L. Conley; William E. Shull; A. Triantaphyllis

[57] CLAIM

The ornamental design for a light fixture, as shown and described.

DESCRIPTION

FIG. 1 is an upper front isometric view of a light fixture showing my new design;  
FIG. 2 is a rear elevational view thereof on a reduced scale; and  
FIG. 3 is a side elevational view thereof on a reduced scale, the opposite side being a mirror image.



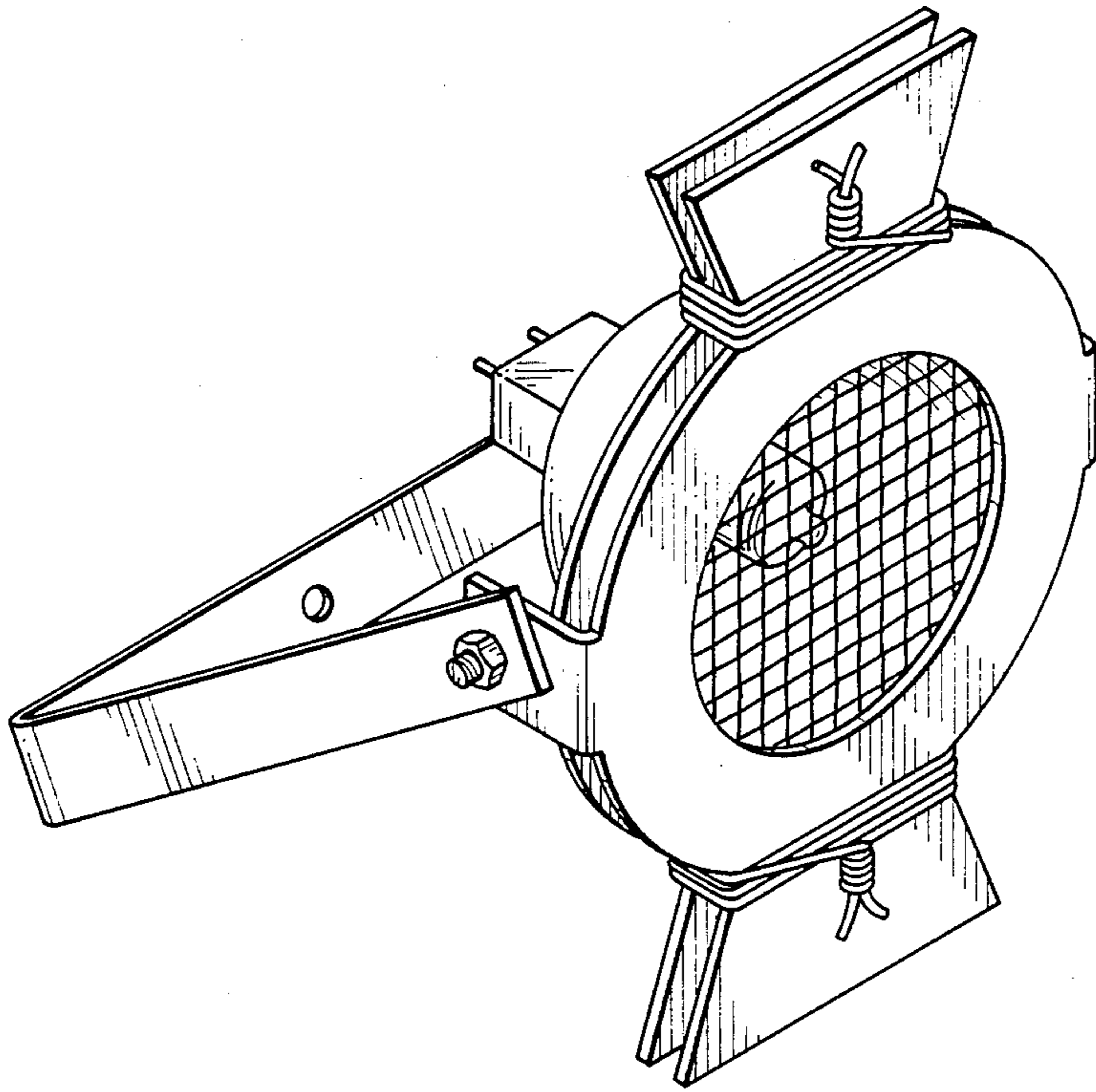


FIG. 1

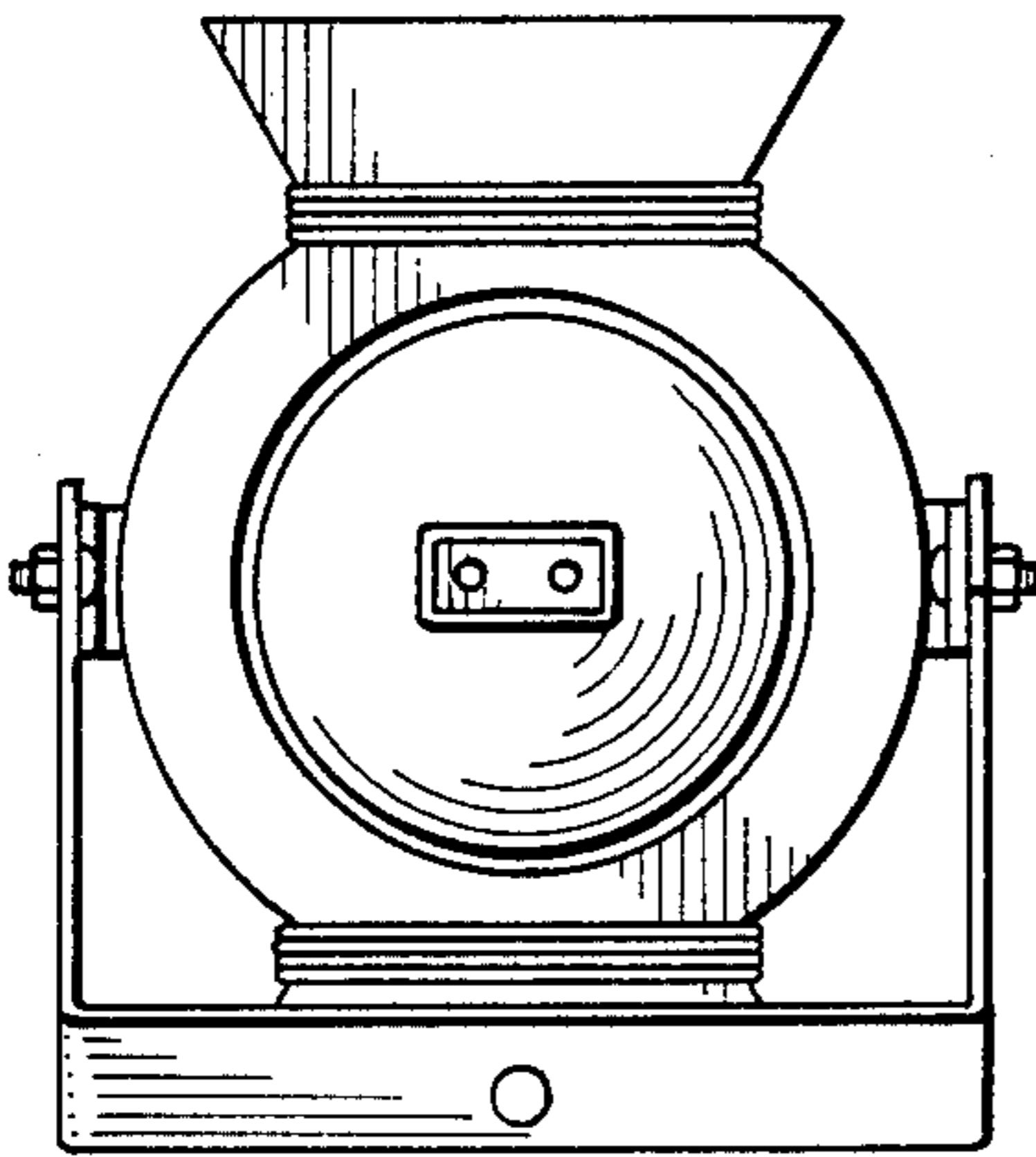


FIG. 2

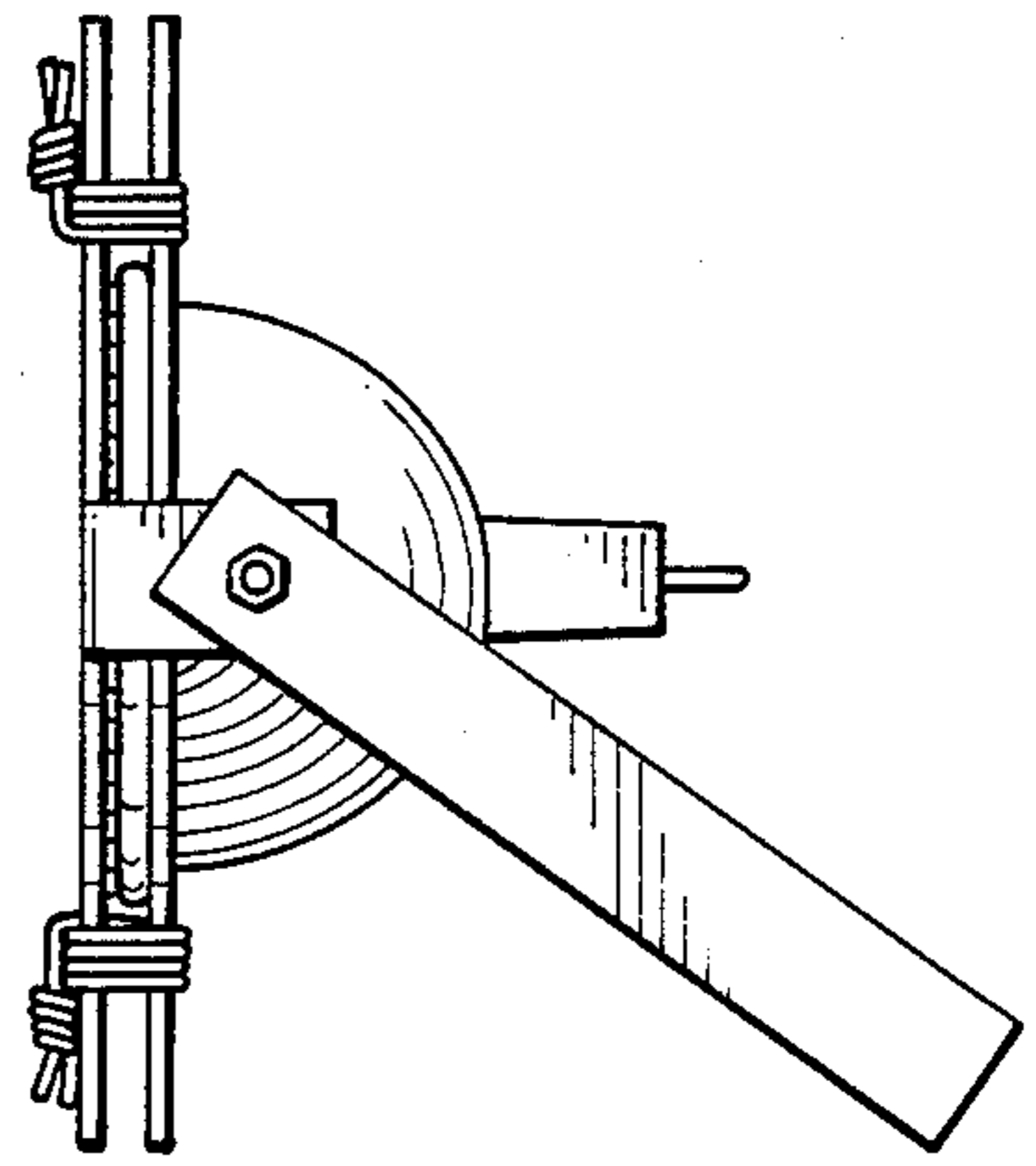


FIG. 3