

[54] **LIQUID CANDLE**

[75] **Inventor: Todd M. Comstock, Cotuit, Mass.**

[73] **Assignee: Renoir Candles, Ltd., Norfolk, Mass.**

[**] **Term: 14 Years**

[21] **Appl. No.: 885,850**

[22] **Filed: Jul. 16, 1986**

Related U.S. Application Data

[62] **Division of Ser. No. 604,896, Apr. 27, 1984, Pat. No. 4,608,011.**

[52] **U.S. Cl. D26/9**

[58] **Field of Search D26/6-23;
431/288-298, 302, 310, 311, 320, 323, 324, 125,
126; 362/161, 162, 163**

[56] **References Cited**

U.S. PATENT DOCUMENTS

2,935,041	5/1960	Rovere	D26/11 X
4,529,376	7/1985	Cafolla	431/320
4,608,011	8/1986	Comstock	431/320 X

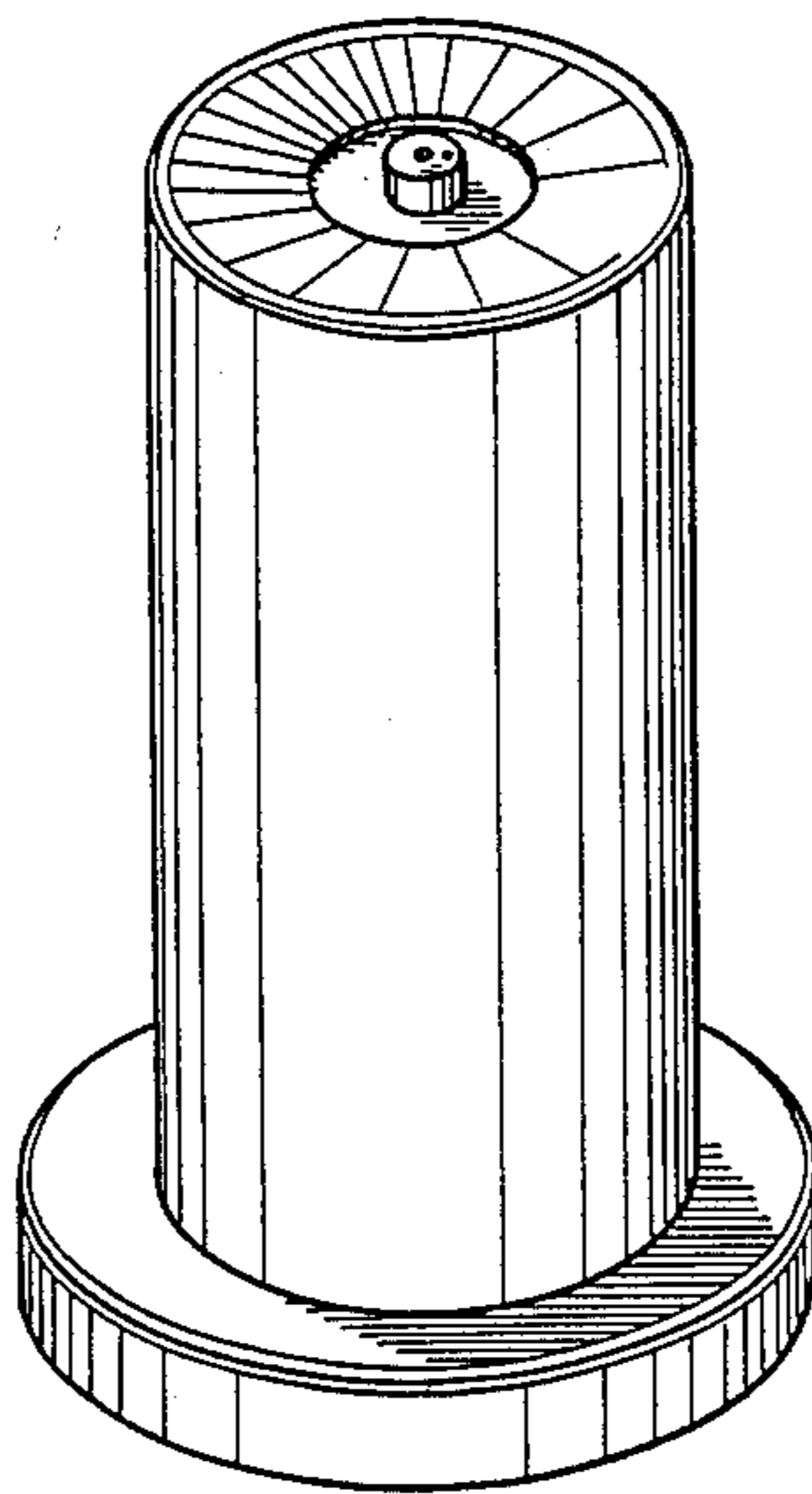
Primary Examiner—Susan J. Lucas
Attorney, Agent, or Firm—Wolf, Greenfield & Sacks

[57] **CLAIM**

The ornamental design for a liquid candle, as shown and described.

DESCRIPTION

FIG. 1 is a top, front perspective view of a liquid candle showing my new design;
FIG. 2 is a top plan view thereof;
FIG. 3 is a front elevational view thereof, the rear and sides being identical thereto;
FIG. 4 is a bottom plan view thereof; and
FIG. 5 is an exploded perspective view thereof.



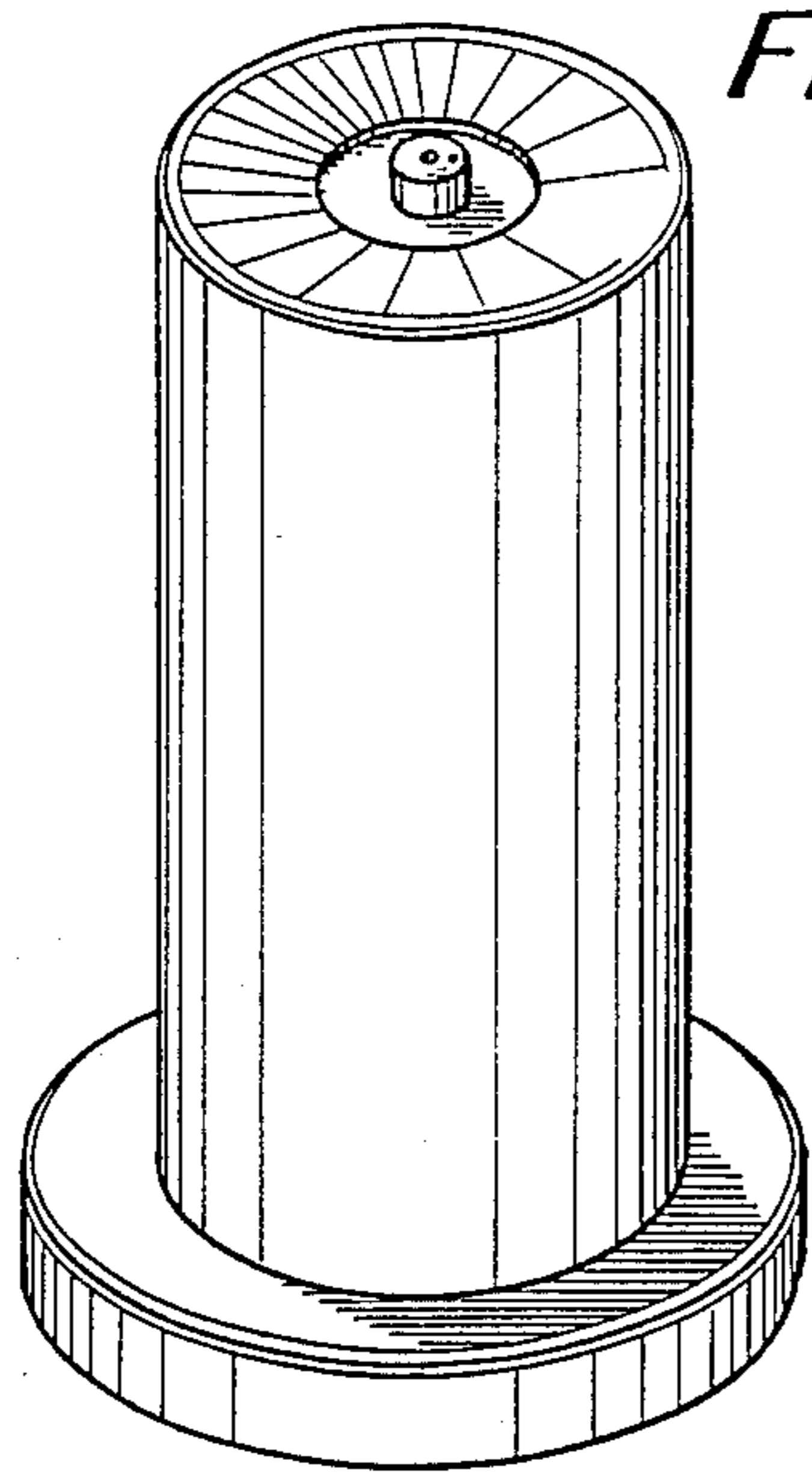


Fig. 1

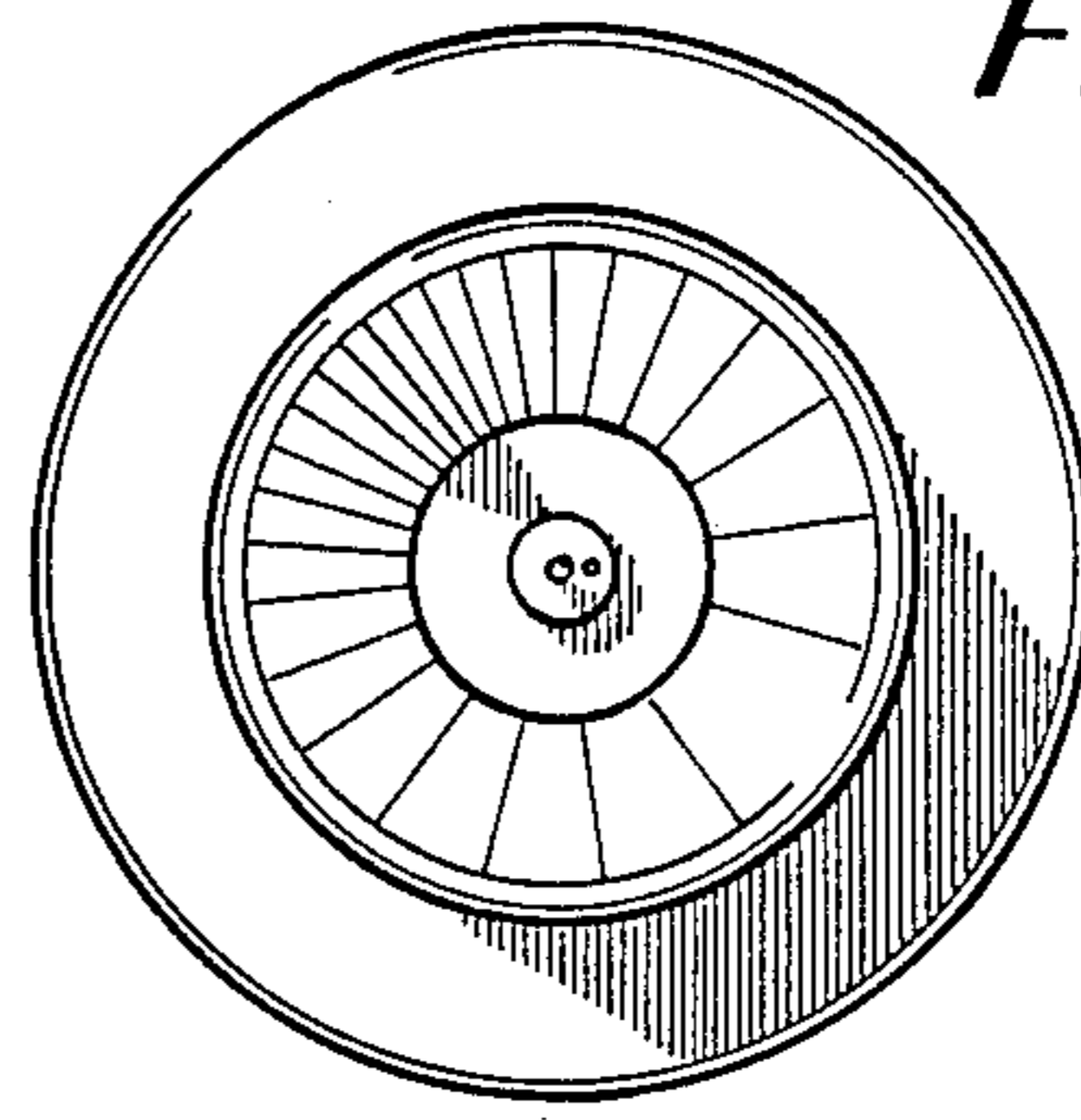


Fig. 2

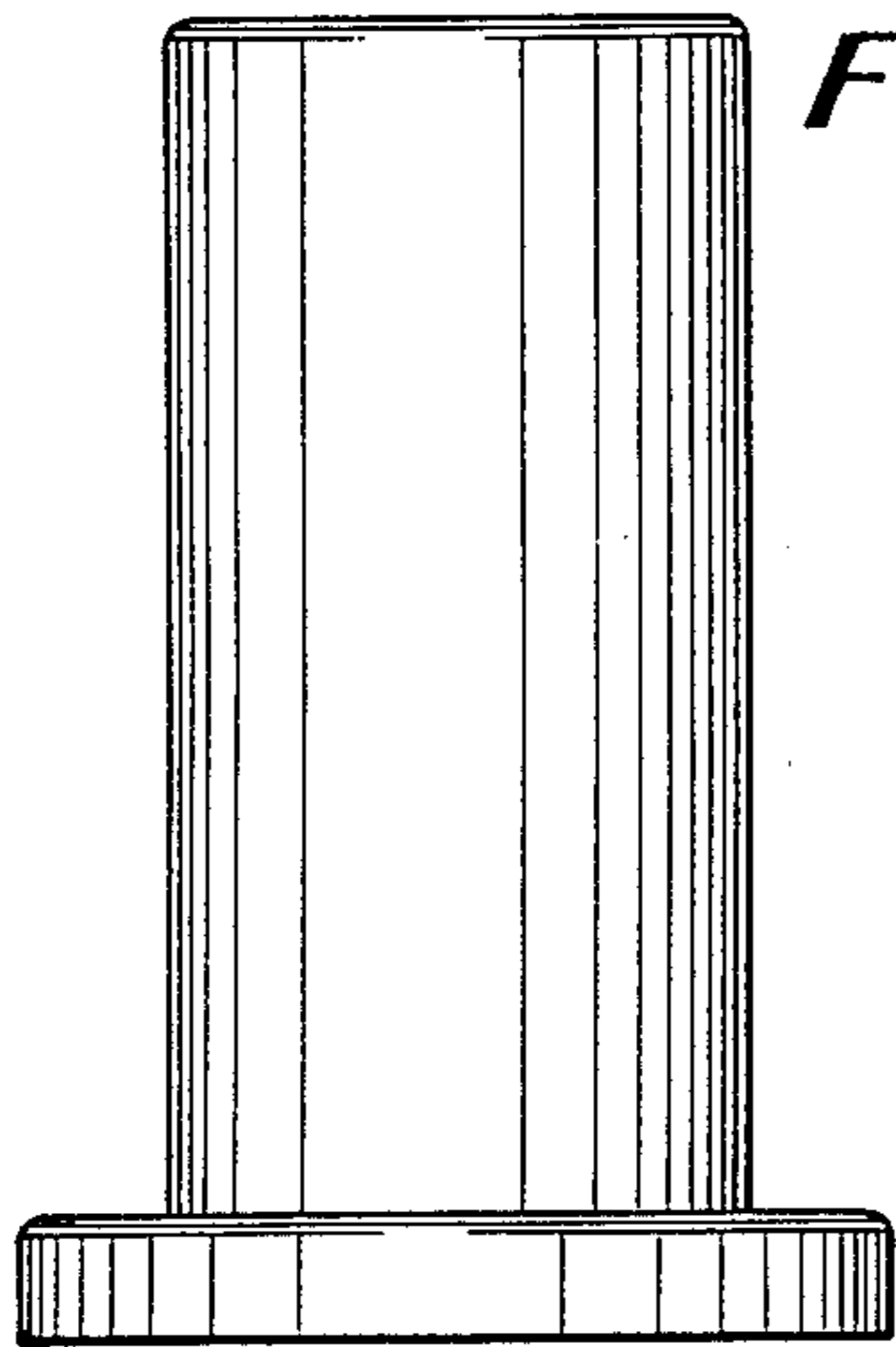


Fig. 3

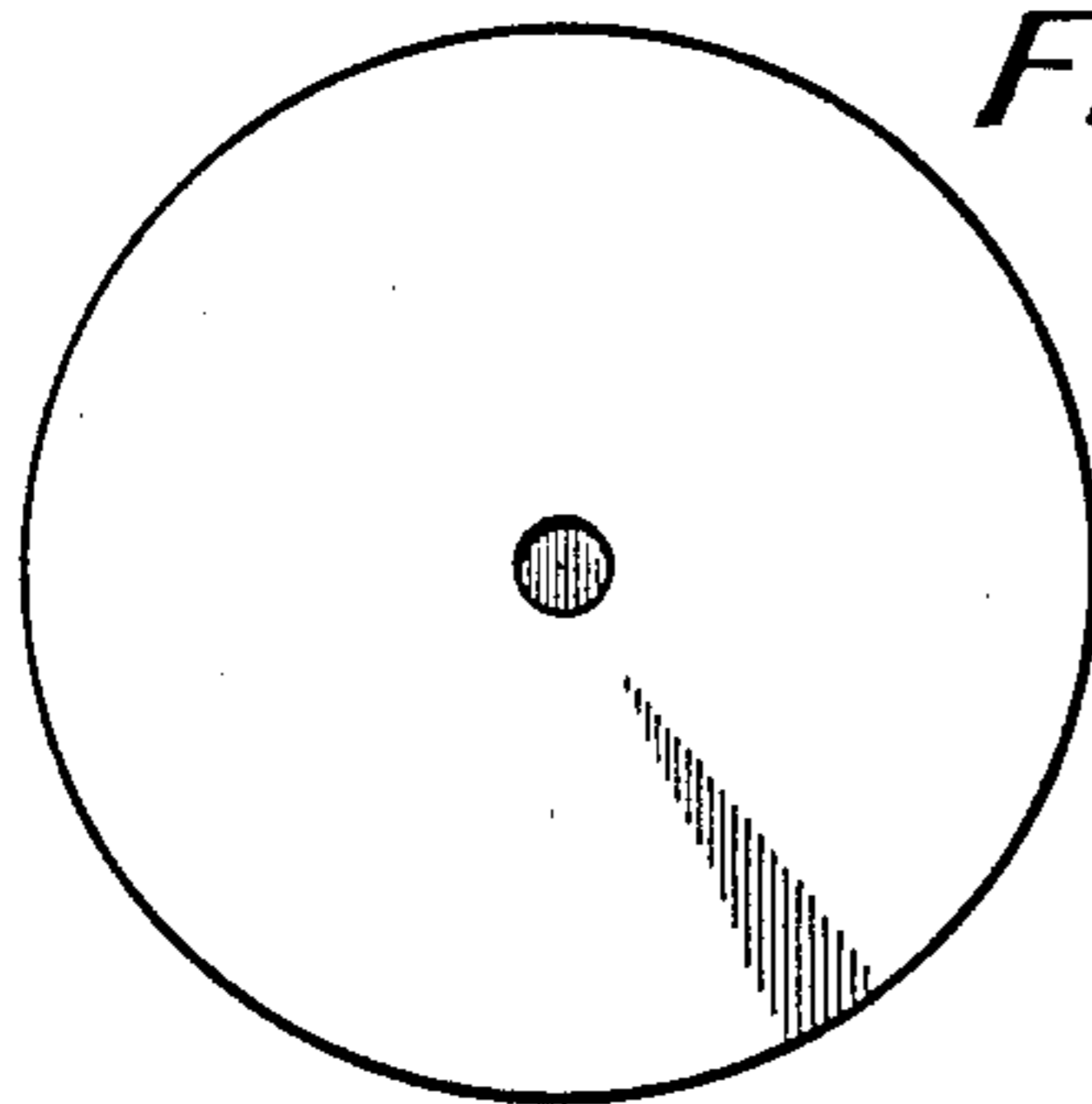


Fig. 4

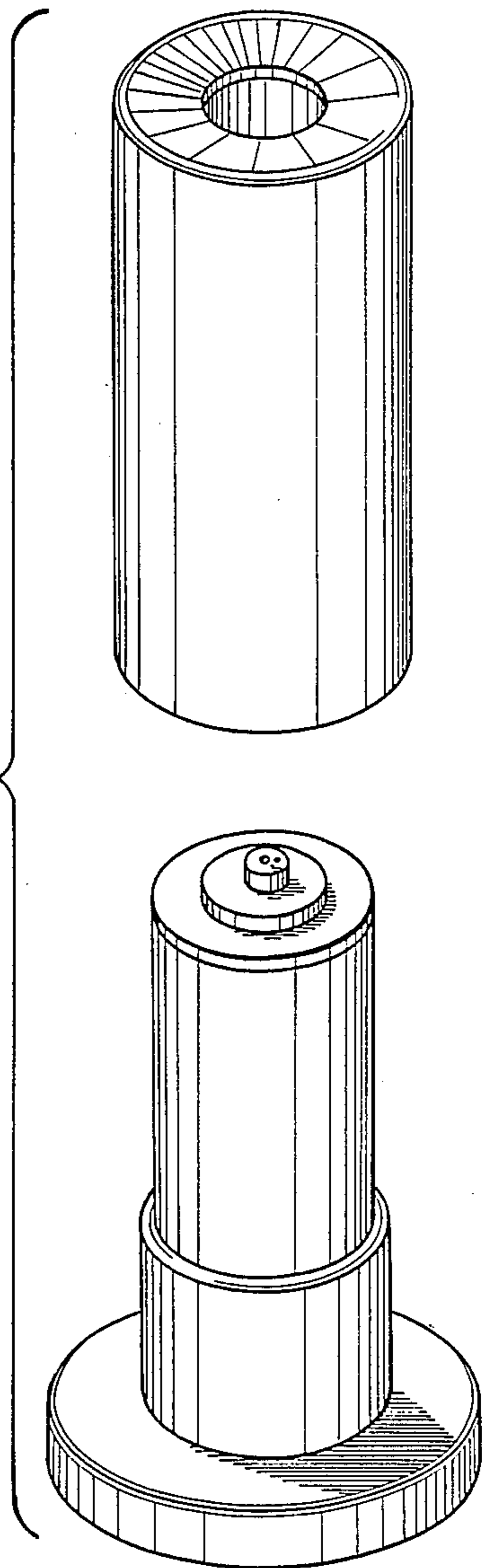


Fig. 5