

[54] WALLBOARD CEILING RUNNER

[76] Inventors: Lowell Burkstrand, Rte. 1, Box 170, Braham, Minn. 55006; George Burkstrand, 4335 4th St., Columbia Heights, Minn. 55421

[**] Term: 14 Years

[21] Appl. No.: 925,664

[22] Filed: Oct. 31, 1986

[52] U.S. Cl. D25/119

[58] Field of Search 52/241, 46, 716, 727, 52/720, 349; D25/119-125, 132

[56] References Cited

U.S. PATENT DOCUMENTS

- D. 265,509 7/1982 Popek D25/121
- 2,078,491 4/1937 Graham .
- 2,079,635 5/1937 Sharp .
- 2,105,771 1/1938 Holdsworth .
- 2,371,921 3/1945 Tucker .
- 2,909,251 10/1959 Nelsson .

- 3,005,293 10/1961 Hunter D25/132 X
- 3,027,605 4/1962 Nelsson .
- 3,349,529 10/1967 Byssing .
- 3,465,488 9/1969 Miller .
- 3,477,187 11/1969 Fruman 52/720 X
- 3,653,172 4/1972 Schwartz 52/720 X
- 3,778,952 12/1973 Soucy 52/720 X
- 3,986,314 10/1976 Moeller .
- 3,998,027 12/1976 Wendt et al. .
- 4,018,020 4/1977 Sauer et al. .

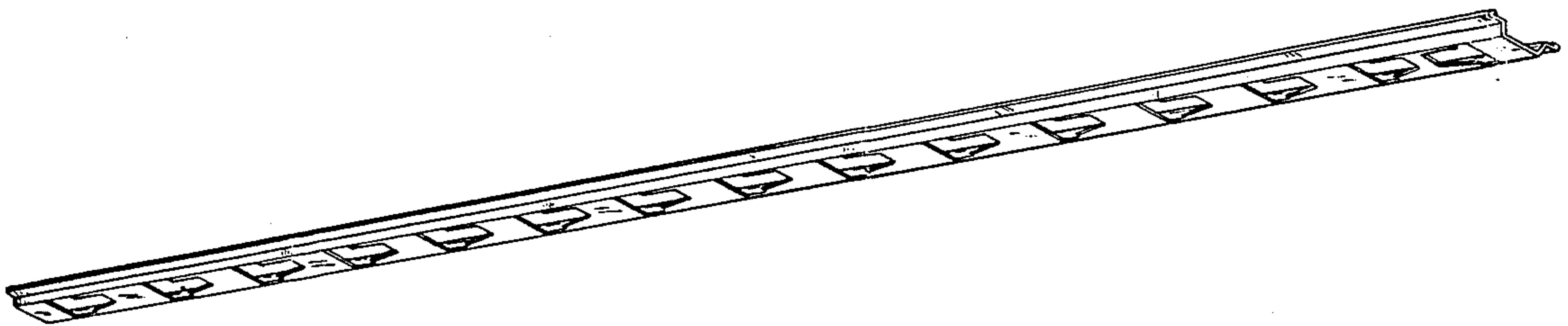
Primary Examiner—A. Hugo Word
Attorney, Agent, or Firm—Schroeder & Siegfried

[57] CLAIM

The ornamental design for a wallboard ceiling runner, as shown and described.

DESCRIPTION

FIG. 1 is a perspective view of a wallboard ceiling runner, showing the new design; FIG. 2 is a bottom plan view thereof; FIG. 3 is a side elevational view thereof; FIG. 4 is a top plan view thereof; and FIG. 5 is an end elevational view thereof.



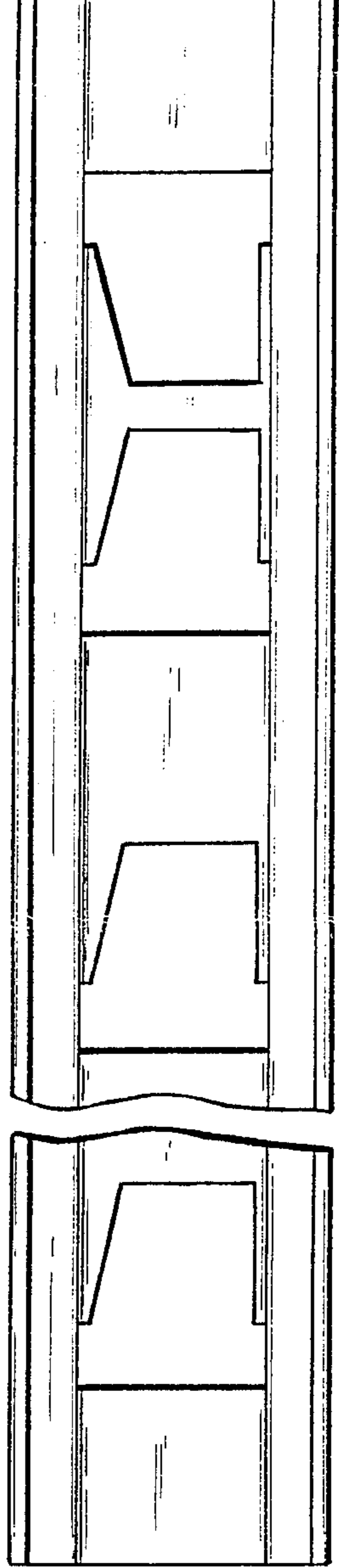
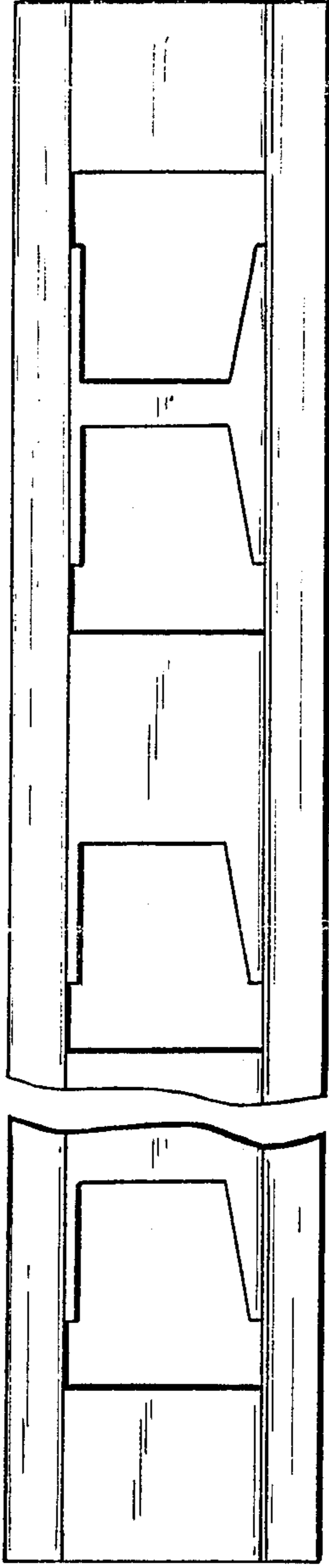
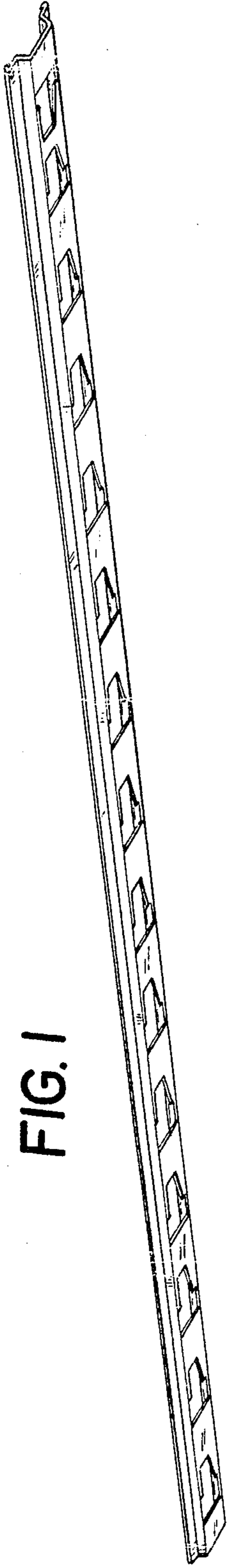


FIG. 5

FIG. 4

FIG. 3

FIG. 2