

[54] WINGED ANGULAR INFUSION NEEDLE

4,627,843 12/1986 Raines ..... 604/263  
4,631,058 12/1986 Raines ..... 604/263  
4,640,275 2/1972 Burke et al. .... 604/177

[75] Inventors: Mark Wyzgala, Mercer Island, Wash.; Thomas E. Morizio, Highland Park, Ill.

[73] Assignee: Baxter International Inc., Deerfield, Ill.

[\*\*] Term: 14 Years

[21] Appl. No.: 841,079

[22] Filed: Mar. 18, 1986

[52] U.S. Cl. .... D24/52

[58] Field of Search ..... D24/24, 25, 52, 51;  
604/187, 177, 263, 264, 272, 165, 30; 128/DIG.  
26

[56] References Cited

U.S. PATENT DOCUMENTS

D. 223,043 2/1972 Raines ..... D24/52  
D. 257,885 1/1981 Kulle ..... D24/52  
4,134,402 1/1979 Mahurkar ..... 604/272  
4,326,519 4/1982 D'Alo e al. .... 604/177 X

OTHER PUBLICATIONS

Manual-Port-A-Cath™ Implantable Drug Delivery System.

Primary Examiner—Wallace R. Burke

Assistant Examiner—Stella M. Reid

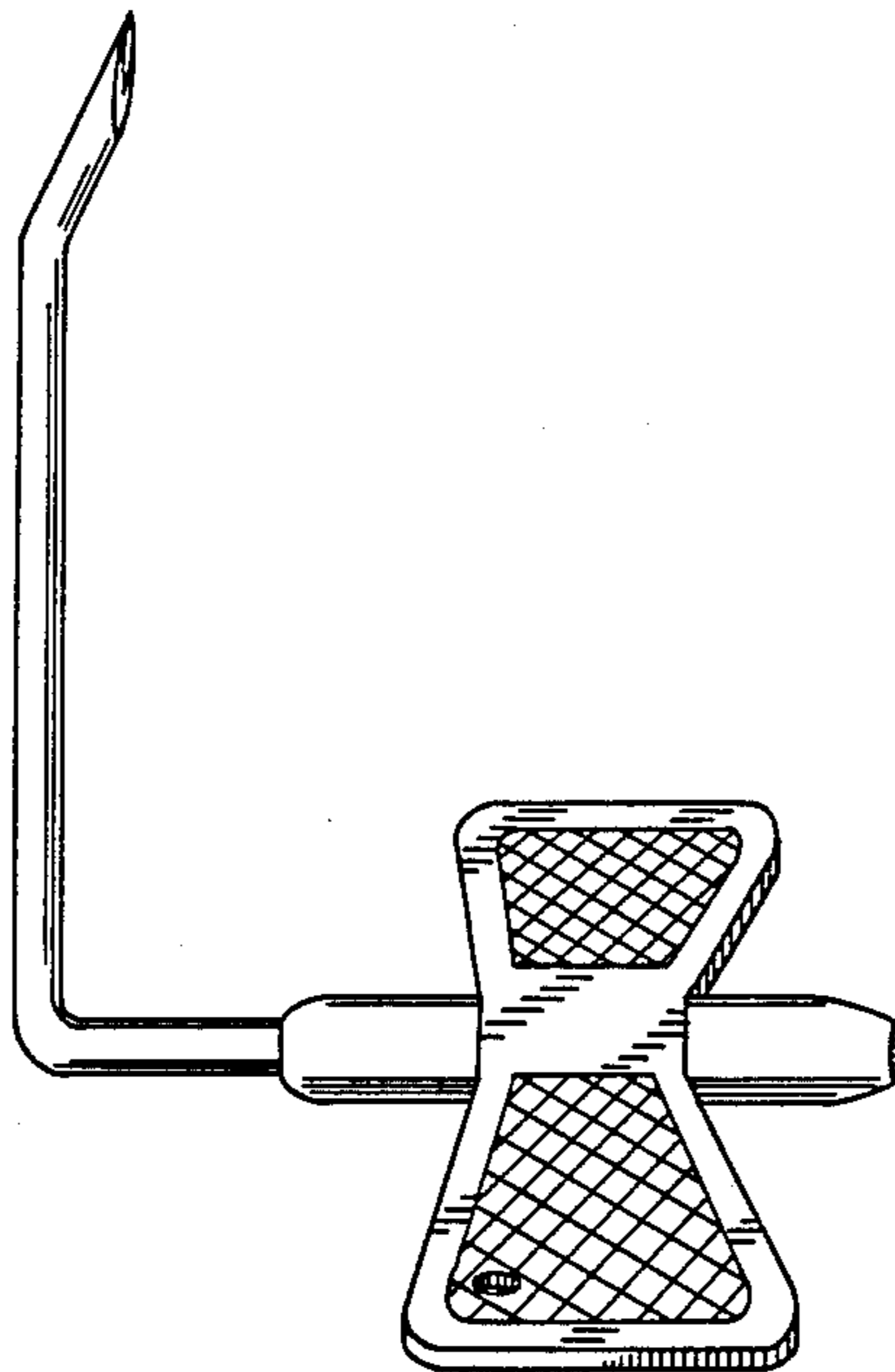
Attorney, Agent, or Firm—Paul C. Flattery; Amy L. H. Rockwell; Kay H. Pierce

[57] CLAIM

The ornamental design for a winged angular infusion needle, as shown and described.

DESCRIPTION

FIG. 1 is a perspective view of a winged angular infusion needle showing our new design; FIG. 2 is an end perspective view thereof; FIG. 3 is a top plan view thereof, with the needle tip broken away for ease of illustration; and FIG. 4 is a bottom plan view thereof, with the needle tip broken away for ease of illustration.



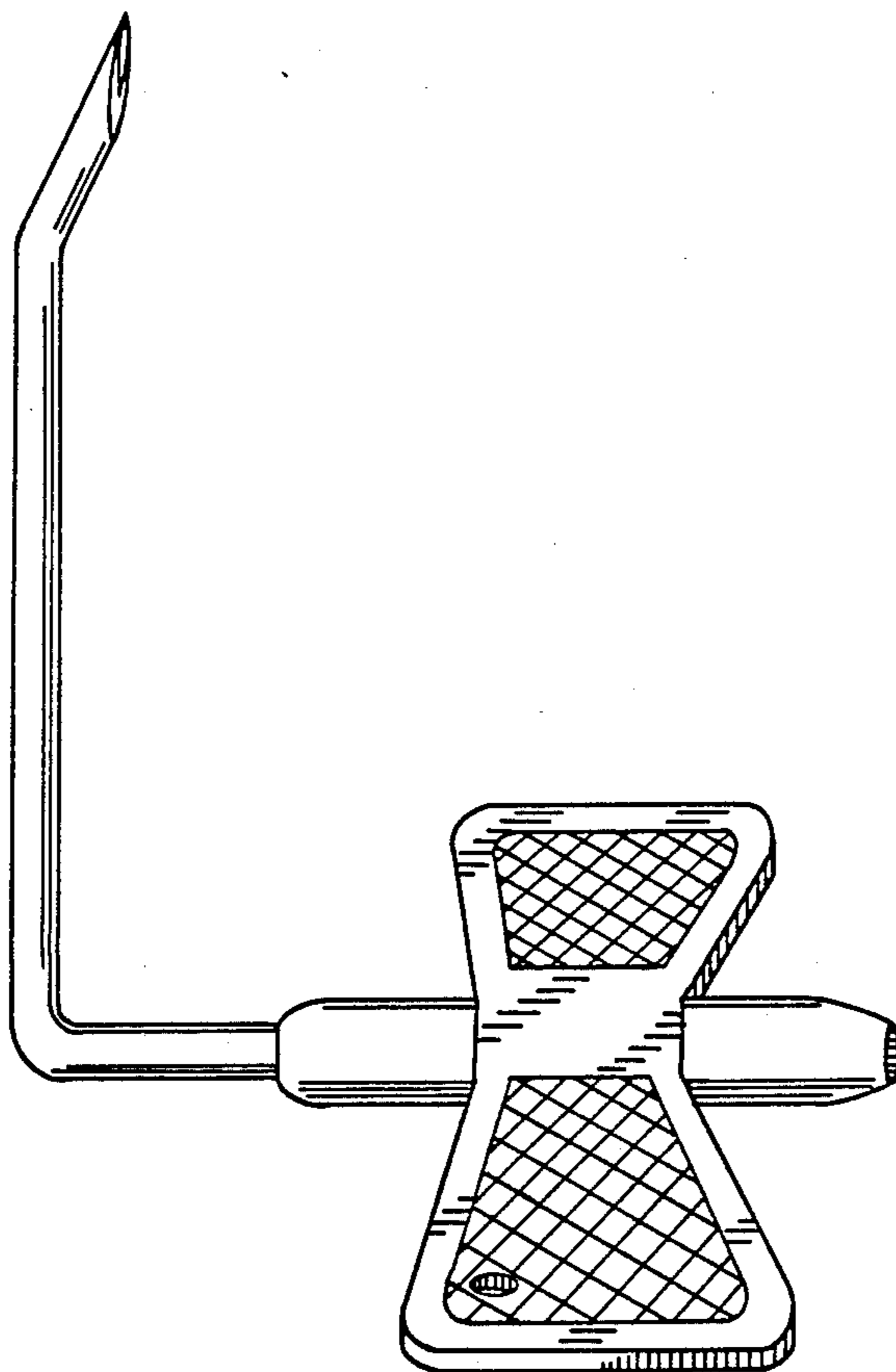


FIG. 1

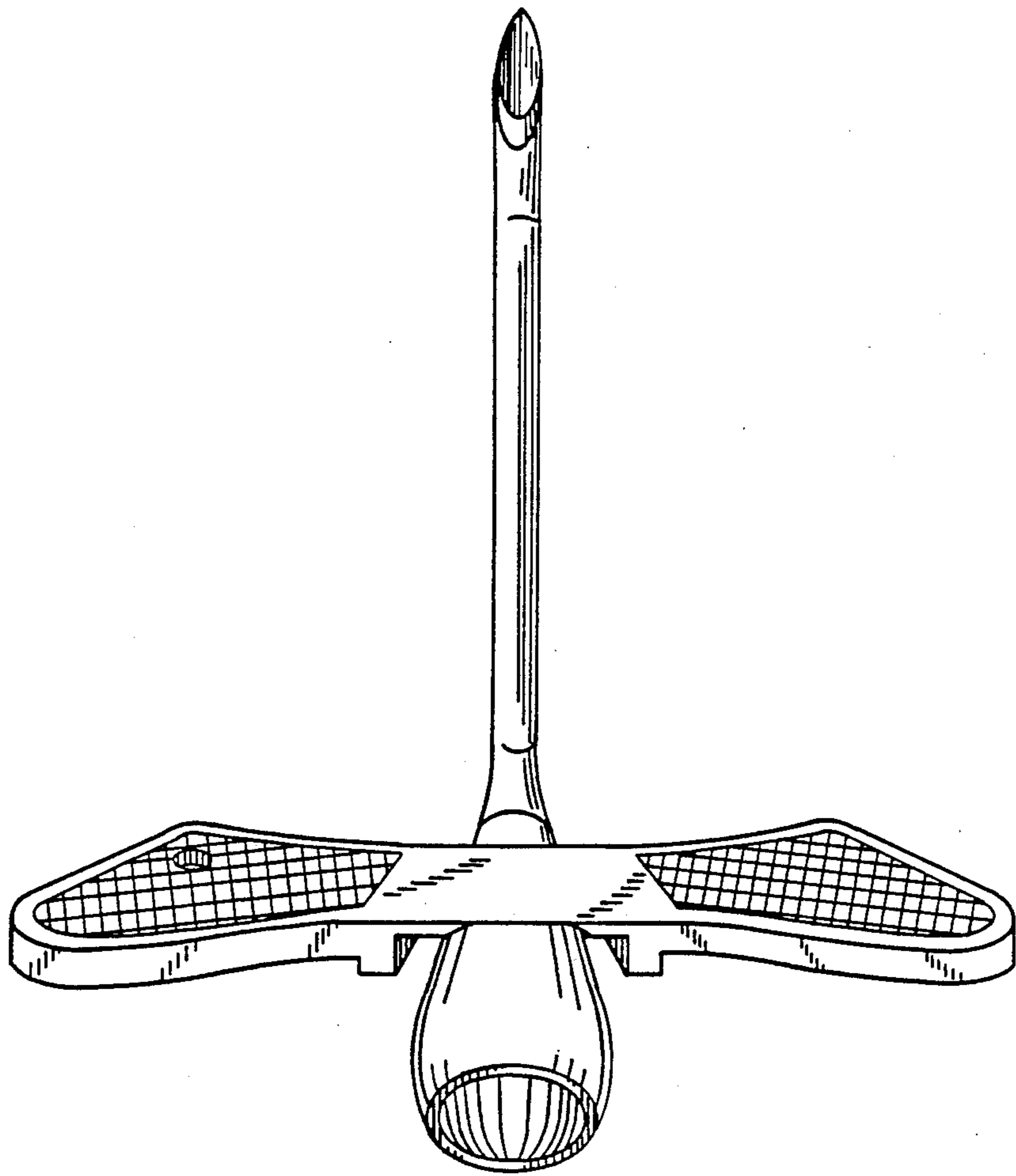


FIG. 2

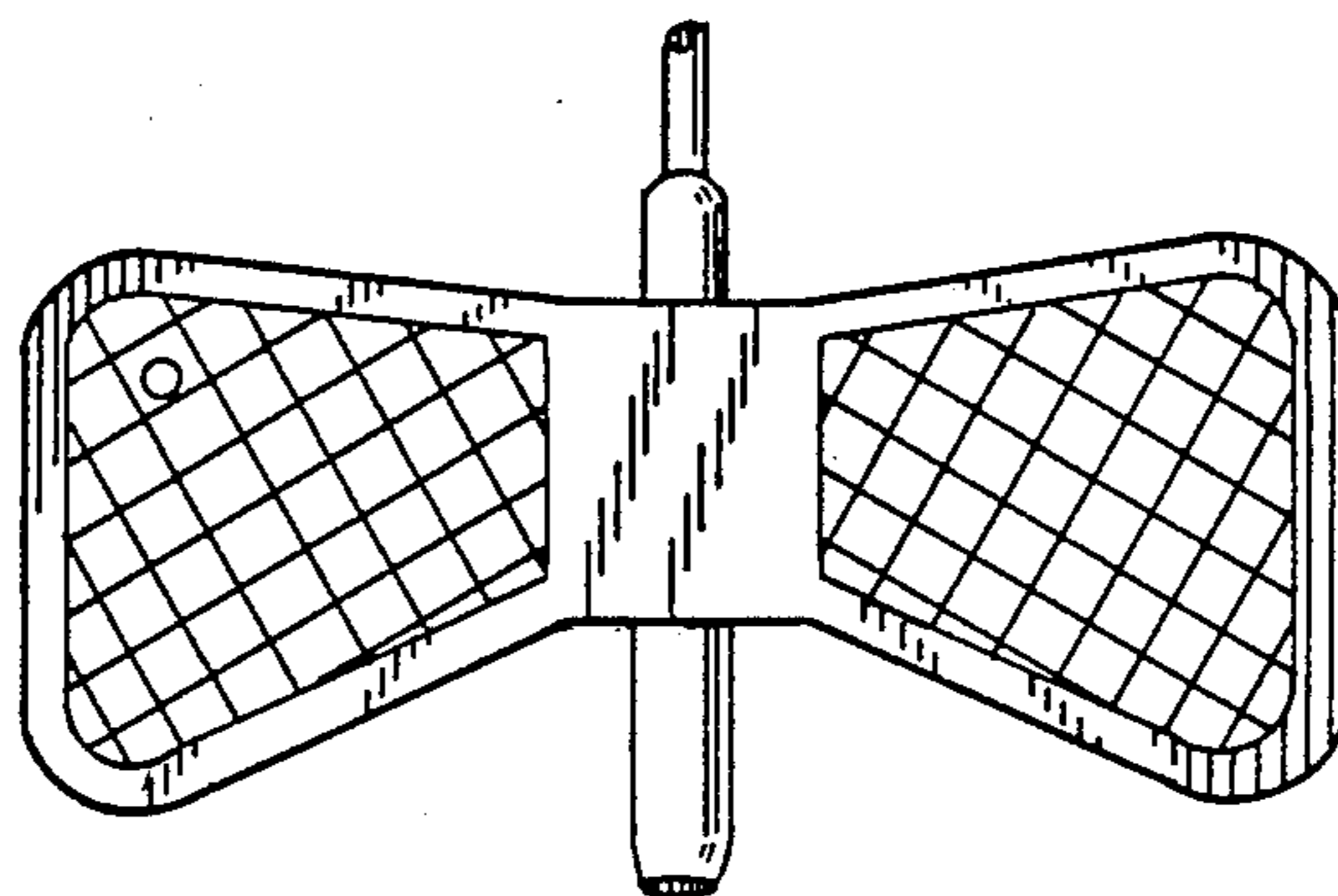


FIG. 3

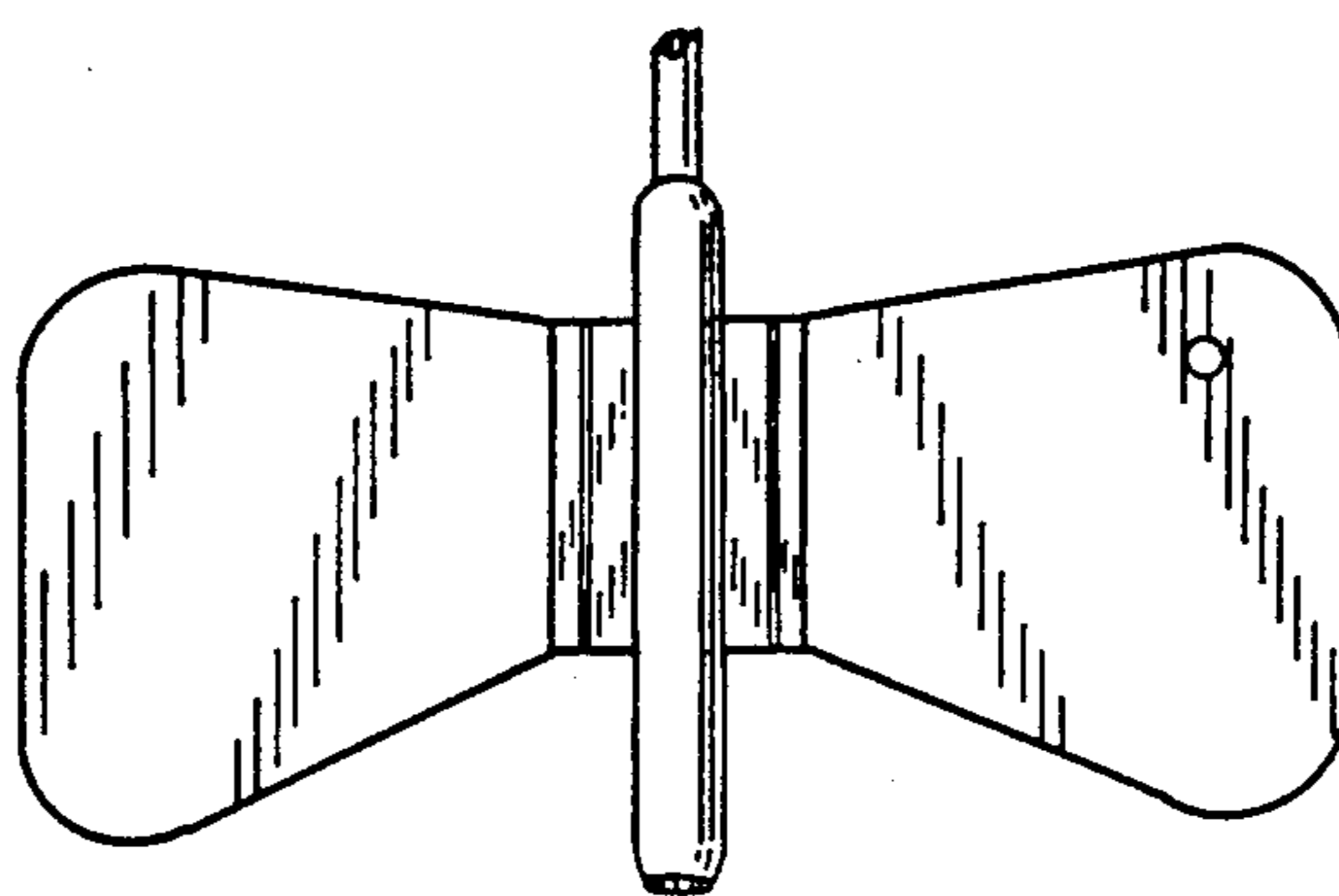


FIG. 4