

[54] **SURGICAL STAPLER**  
[75] **Inventor: David T. Green, Norwalk, Conn.**  
[73] **Assignee: United States Surgical Corporation, Norwalk, Conn.**  
[\*\*] **Term: 14 Years**  
[21] **Appl. No.: 944,884**  
[22] **Filed: Dec. 22, 1986**  
[52] **U.S. Cl. .... D24/27; D24/26**  
[58] **Field of Search .... D24/27, 26; 128/305, 128/334 R, 335, 337; 227/8, 19, 76, 107, 109, 110, 120, 127, 129, 134, 153, 156, DIG. 1; 72/410; 206/339; D8/49, 50, 51, 68**

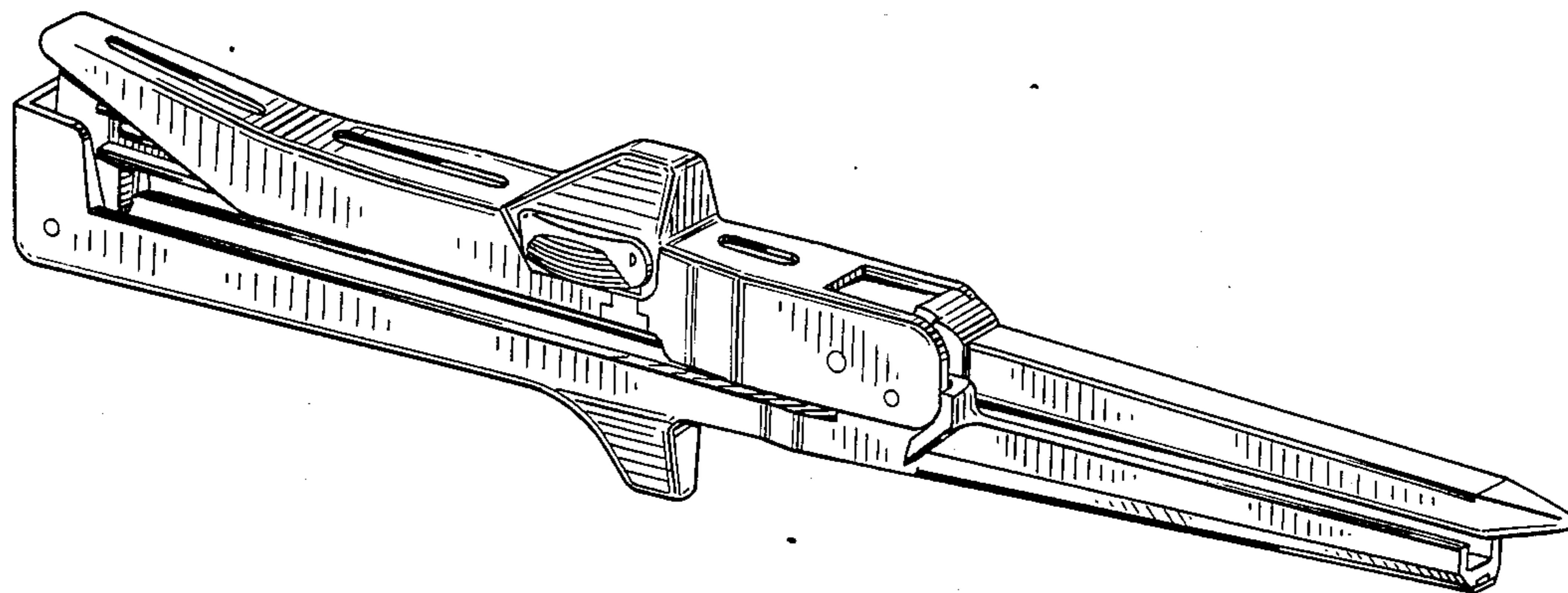
[56] **References Cited**  
**U.S. PATENT DOCUMENTS**  
D. 272,851 2/1984 Green et al. .... D24/26  
D. 272,852 2/1984 Green et al. .... D24/26

D. 278,080 3/1985 Green et al. .... D24/26  
D. 284,698 7/1986 Green ..... D24/26  
D. 285,836 9/1986 Hunt et al. .... D24/26  
4,605,001 8/1986 Rothfuss et al. .... 128/334 R X  
4,608,981 9/1986 Rothfuss et al. .... 227/19 X

*Primary Examiner*—Wallace R. Burke  
*Assistant Examiner*—Stella M. Reid  
*Attorney, Agent, or Firm*—Kenyon & Kenyon

[57] **CLAIM**  
The ornamental design for a surgical stapler, as shown.

**DESCRIPTION**  
FIG. 1 is a perspective view of a surgical stapler, showing my new design;  
FIG. 2 is a front elevational view thereof;  
FIG. 3 is a side elevational view thereof;  
FIG. 4 is a top plan view thereof;  
FIG. 5 is a rear elevational view thereof; and  
FIG. 6 is a bottom plan view thereof.



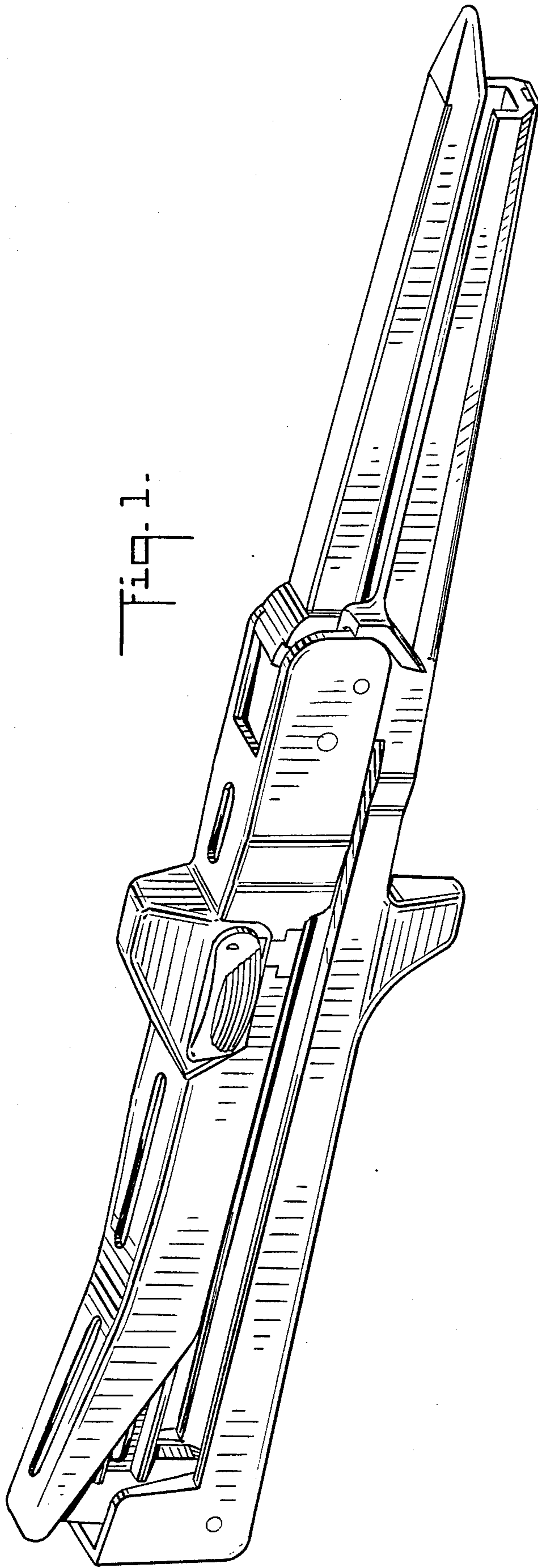
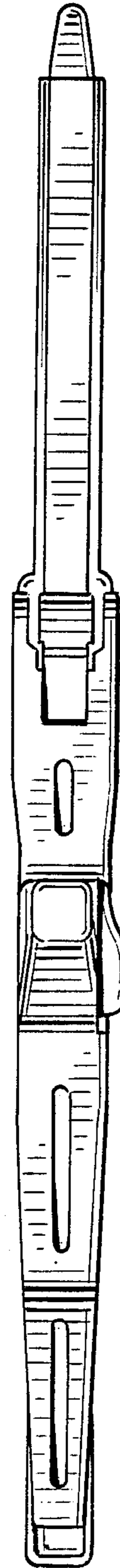


Fig. 4.



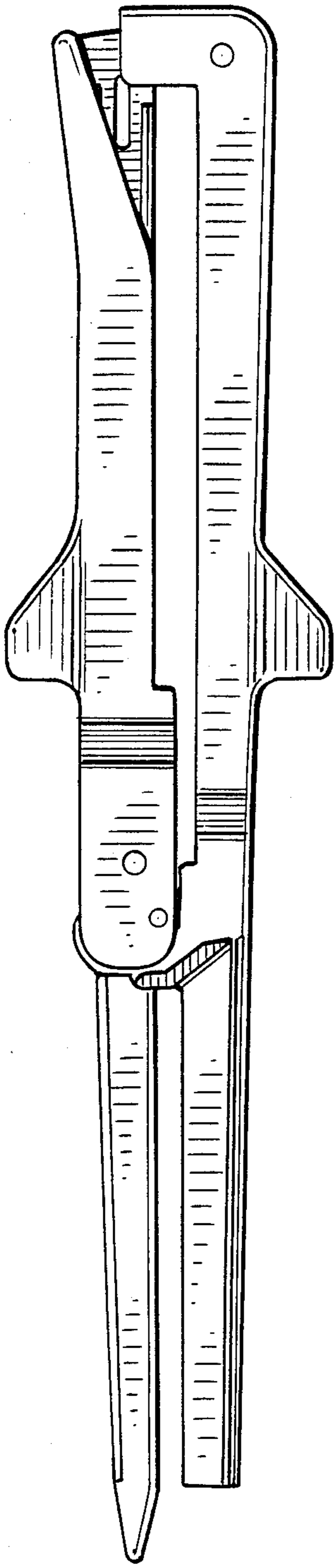


Fig. 1.

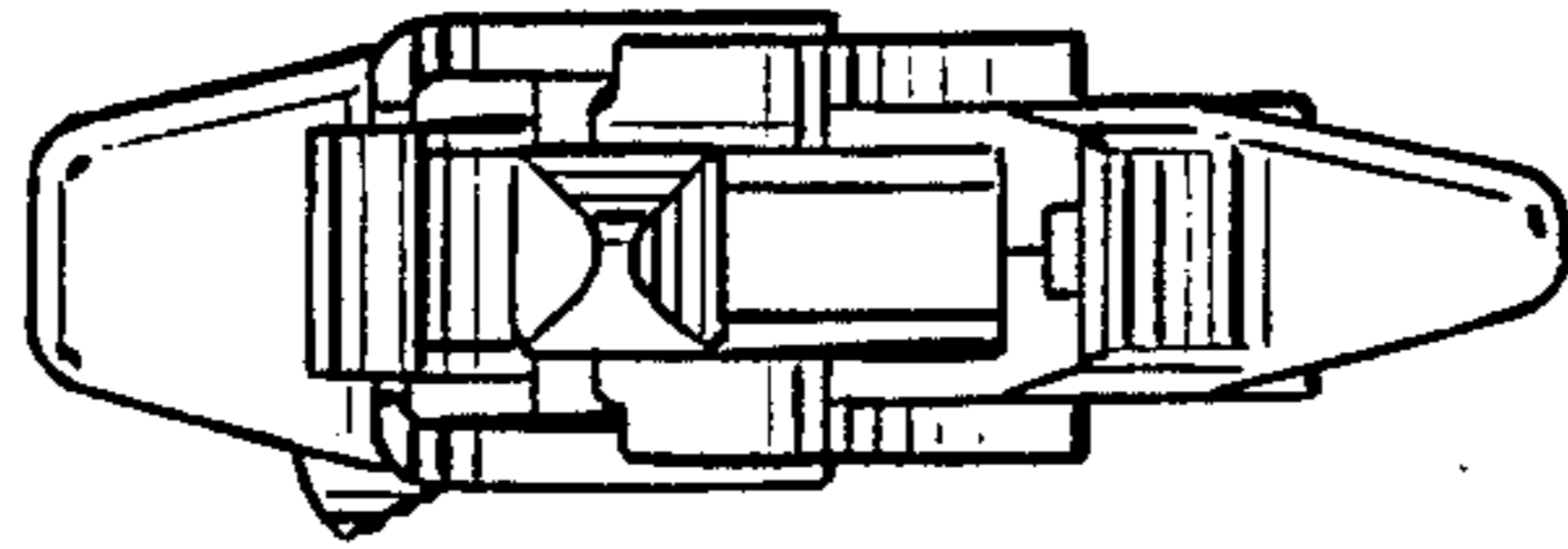


Fig. 2.

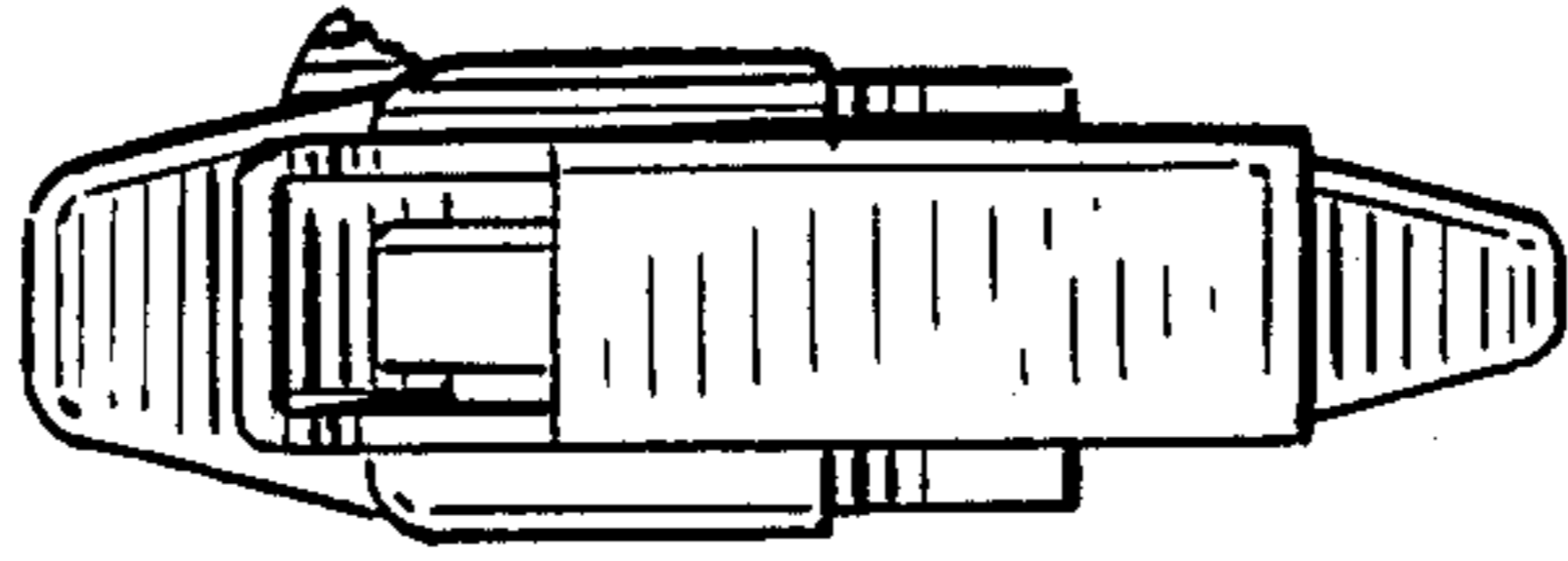


Fig. 3.

Fig. 4.

