

- [54] ELECTROSURGICAL PENCIL
- [75] Inventors: Alexander Turner, Ithaca; Bradley W. Lewis, Spencer; Egidio L. De Oliveira; John R. Scoville, both of Monroe, all of N.Y.
- [73] Assignee: MDT Corporation, Torrance, Calif.
- [**] Term: 14 Years
- [21] Appl. No.: 924,082
- [22] Filed: Oct. 15, 1986
- [52] U.S. Cl. D24/26; D24/30
- [58] Field of Search D24/26, 28, 30; 128/303.13-303.15, 303.17

[56] **References Cited**

U.S. PATENT DOCUMENTS

D. 232,591	8/1974	Haberman	D24/30
D. 246,053	10/1977	Staub	D24/26
D. 249,549	9/1978	Pike	D24/30
D. 253,247	10/1979	Gill	D24/26
D. 287,879	1/1987	Braxton et al.	D24/30
4,202,337	5/1980	Hren et al.	128/303.17 X

Primary Examiner—Wallace R. Burke
Assistant Examiner—Stella M. Reid

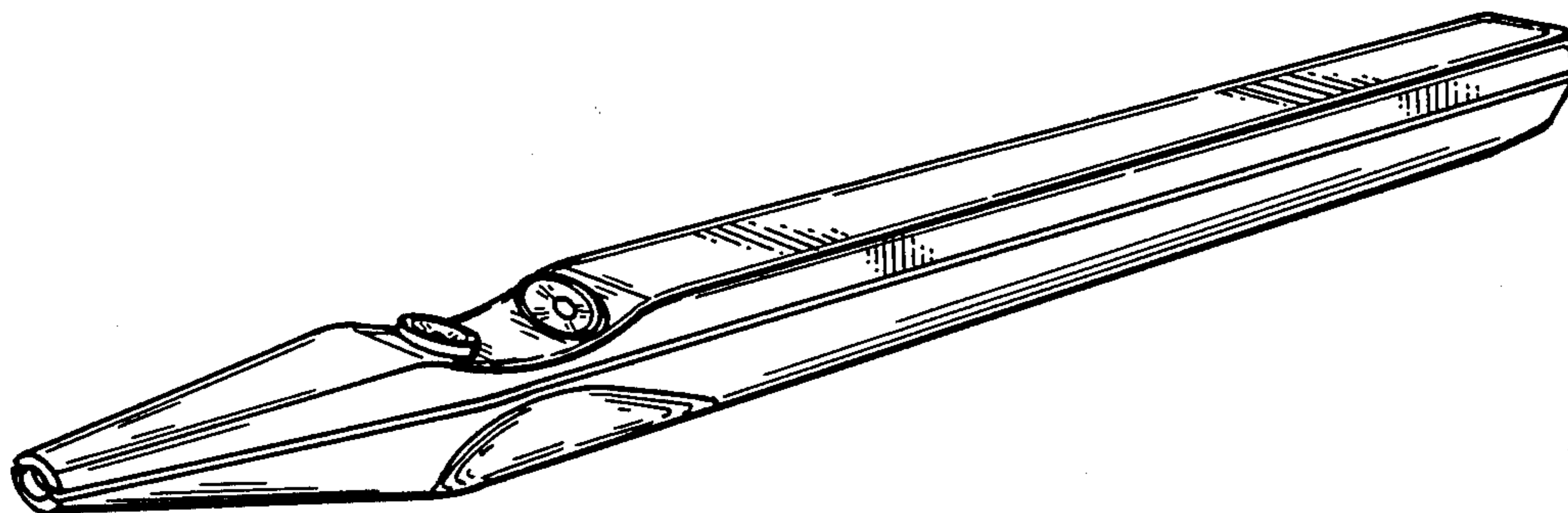
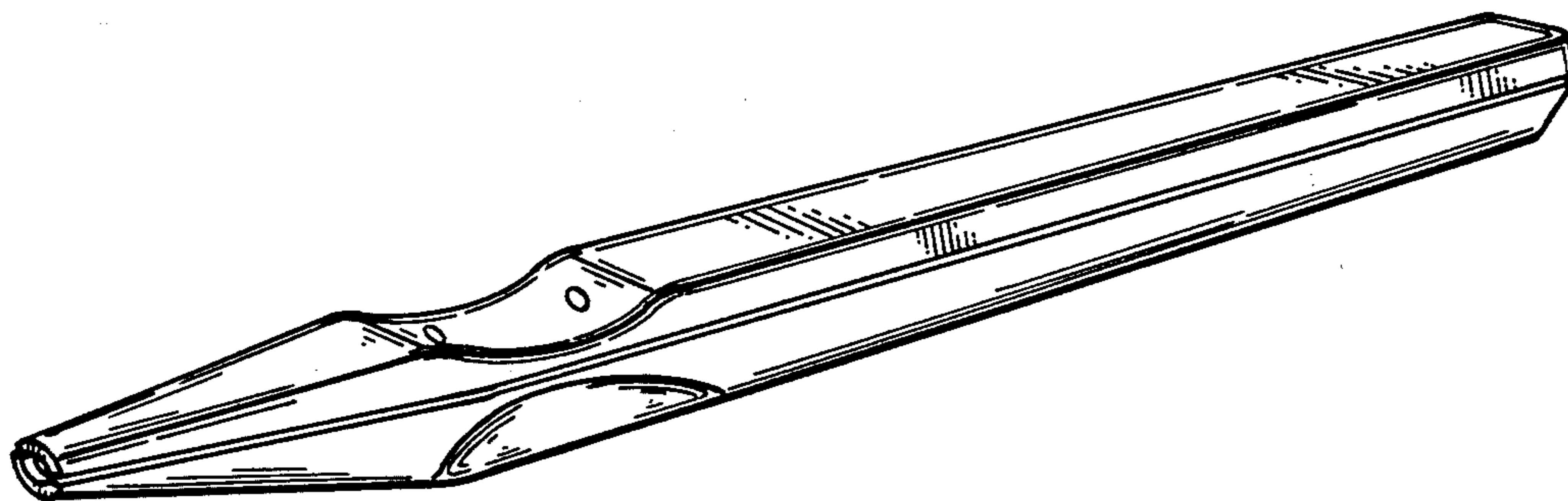
Attorney, Agent, or Firm—Trask, Britt & Rossa

[57] **CLAIM**

The ornamental design for an electrosurgical pencil, as shown and described.

DESCRIPTION

FIG. 1 is a perspective view of an electrosurgical pencil showing our new design;
 FIG. 2 is a side elevational view thereof;
 FIG. 3 is a top plan view thereof;
 FIG. 4 is a bottom plan view thereof;
 FIG. 5 is a left end elevational view;
 FIG. 6 is a right end elevational view;
 FIG. 7 is a perspective view of an electrosurgical pencil showing a second embodiment of our new design;
 FIG. 8 is a side elevational view of the embodiment shown by FIG. 7;
 FIG. 9 is a top plan view of the embodiment shown by FIG. 7;
 FIG. 10 is a left end view of the embodiment shown by FIG. 7; and
 FIG. 11 is a right end elevational view of the embodiment shown by FIG. 7.
 The bottom plan view of the embodiment shown by FIGS. 7 through 11 is identical to FIG. 4.



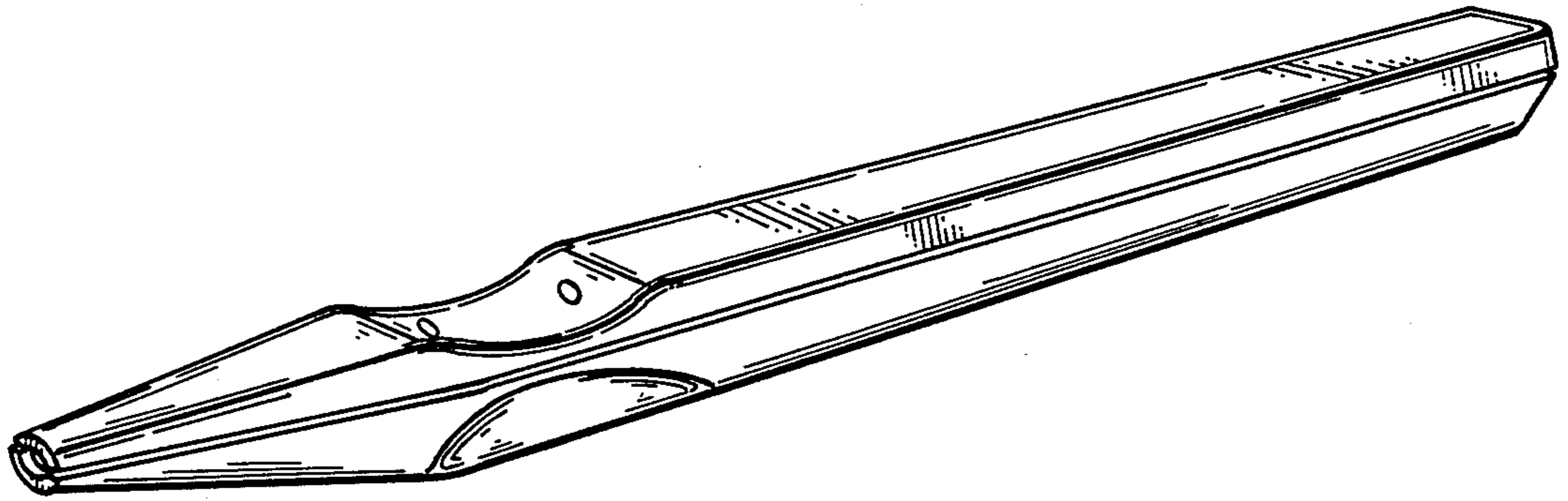


Fig. 1

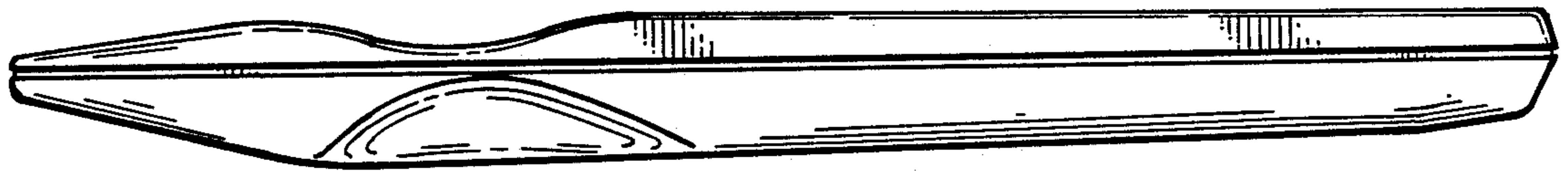


Fig. 2

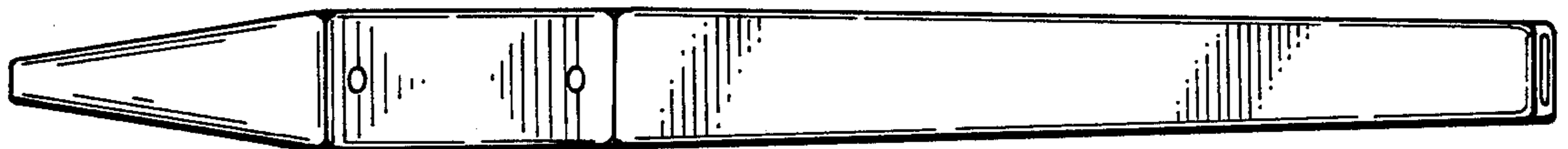


Fig. 3

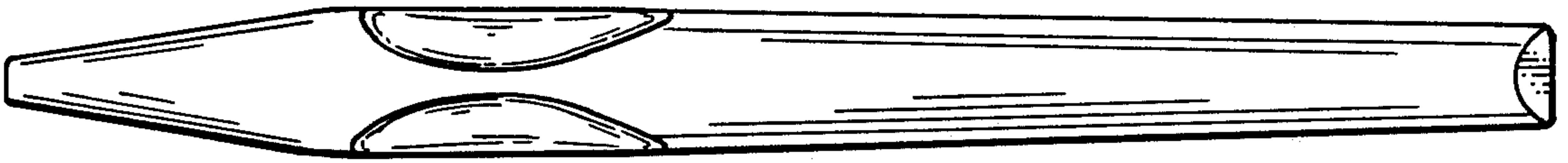


Fig. 4

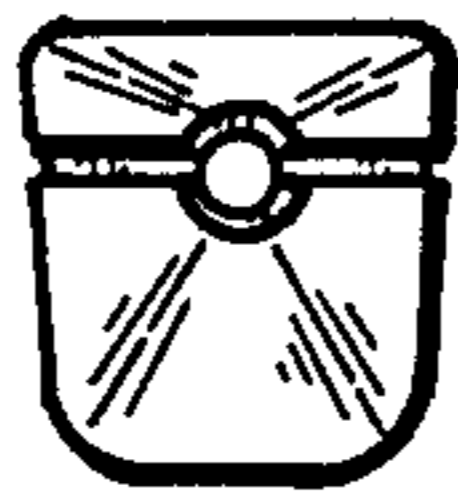


Fig. 5



Fig. 6

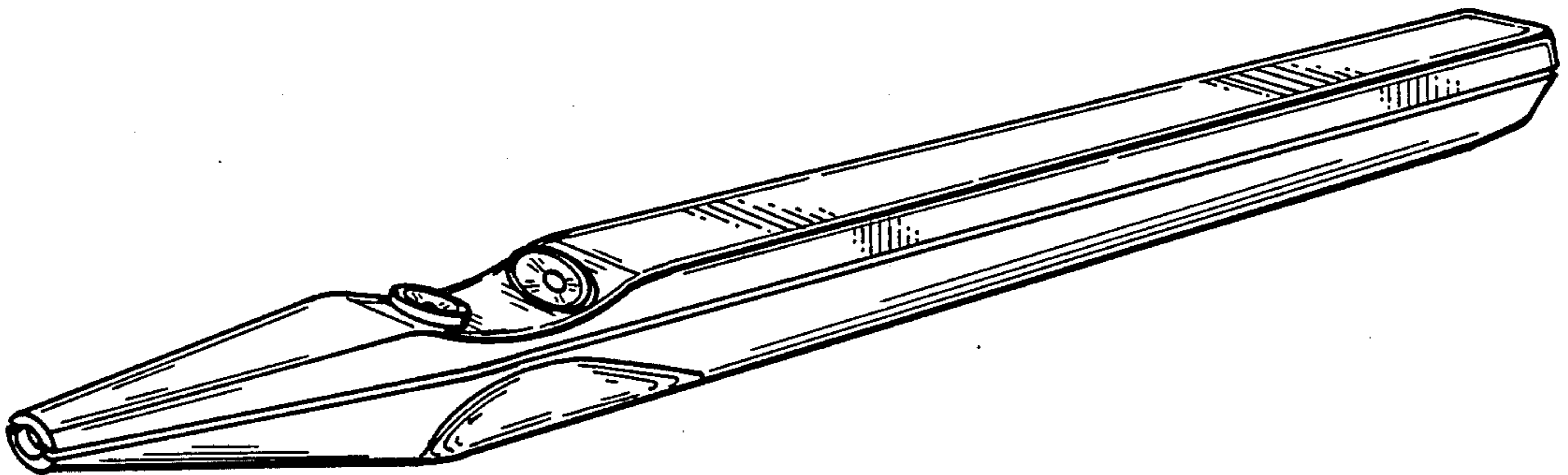


Fig. 7

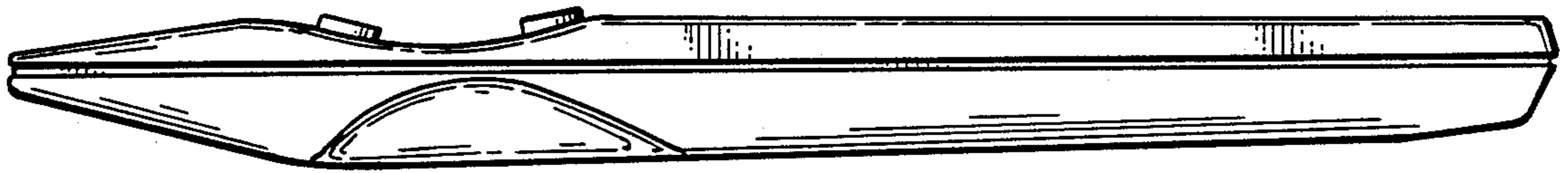


Fig. 8

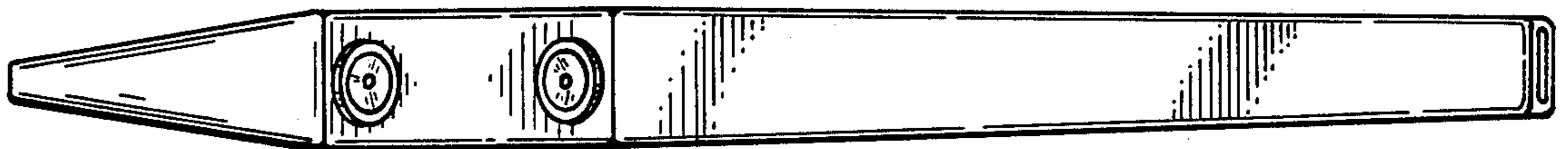


Fig. 9

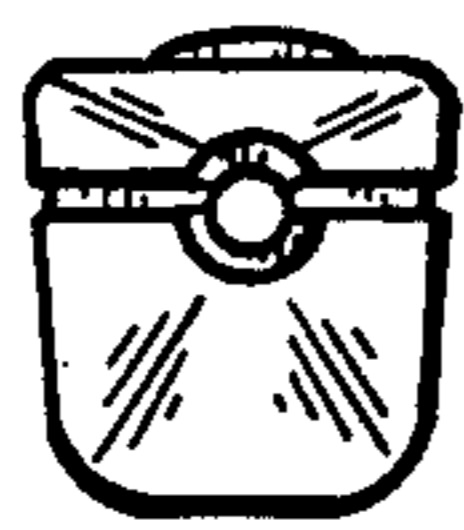


Fig. 10



Fig. 11