

[54] FLUID DISTRIBUTION MANIFOLD

[76] Inventor: Joanna Malagrida, 2189 Alpena Ave., Dayton, Ohio 45406

[**] Term: 14 Years

[21] Appl. No.: 821,780

[22] Filed: Jan. 23, 1986

[52] U.S. Cl. D23/263

[58] Field of Search D23/238-243, D23/259-265; 137/801

D. 228,554	10/1973	Magorien	D23/263
D. 234,402	2/1975	Ogurehak	D23/263
D. 235,998	7/1975	Smith et al.	D23/263
D. 236,724	9/1975	Scheffler, Jr. et al.	D23/263
D. 240,131	6/1976	Dwyer	D23/263
D. 240,272	6/1976	Philpott	D23/265
D. 240,427	7/1976	Ikonen et al.	D23/263
D. 249,276	9/1978	Levin	D23/263
D. 253,799	1/1980	Saporito et al.	D23/243
1,099,713	6/1914	Morris	137/883

Primary Examiner—James R. Largen
Attorney, Agent, or Firm—Terry M. Gernstein

[56] References Cited

U.S. PATENT DOCUMENTS

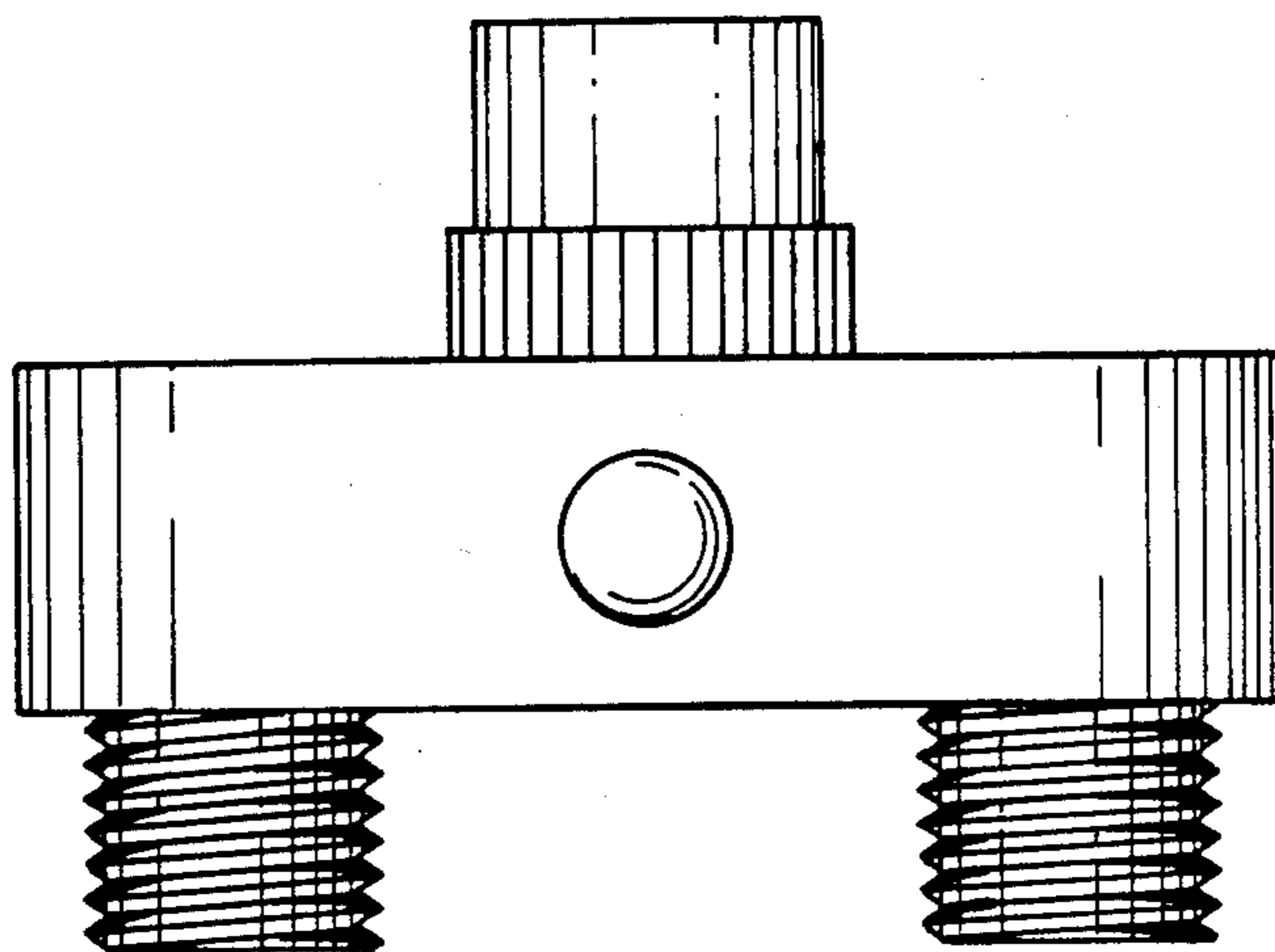
D. 87,328	7/1932	Brotz	D23/243
D. 139,354	11/1944	Tromblpy	D23/241
D. 140,693	3/1945	Judell	D23/241
D. 141,988	8/1945	Zinkil et al.	D23/241
D. 149,379	4/1948	Sayro	D23/238
D. 152,442	1/1949	Thomssen	D23/241
D. 157,018	1/1950	Young	D23/241
D. 165,987	2/1952	Krafft	D23/243
D. 171,571	3/1954	Baker, Jr.	D23/241
D. 207,044	2/1967	Hurwitz	D23/241
D. 213,317	2/1969	Nelson	D23/259

[57] CLAIM

The ornamental design for a fluid distribution manifold, as shown and described.

DESCRIPTION

FIG. 1 is a front elevational view of a fluid distribution manifold showing my new design;
FIG. 2 is a rear elevational view thereof.
FIG. 3 is a bottom plan view thereof.
FIG. 4 is a right side elevational view thereof, the left side being a mirror image of the right side shown.
FIG. 5 is a top plan view thereof.



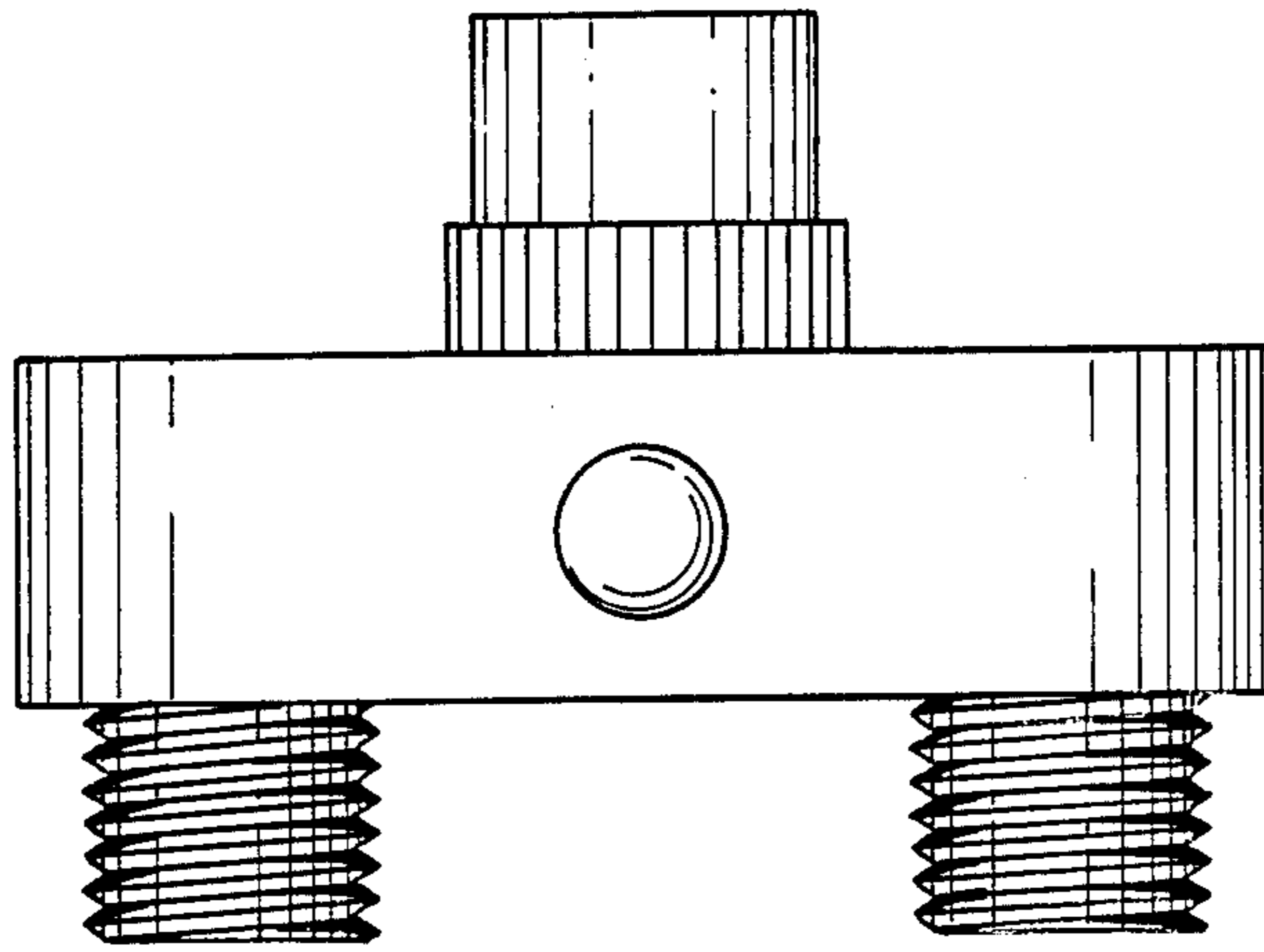


Fig. 1

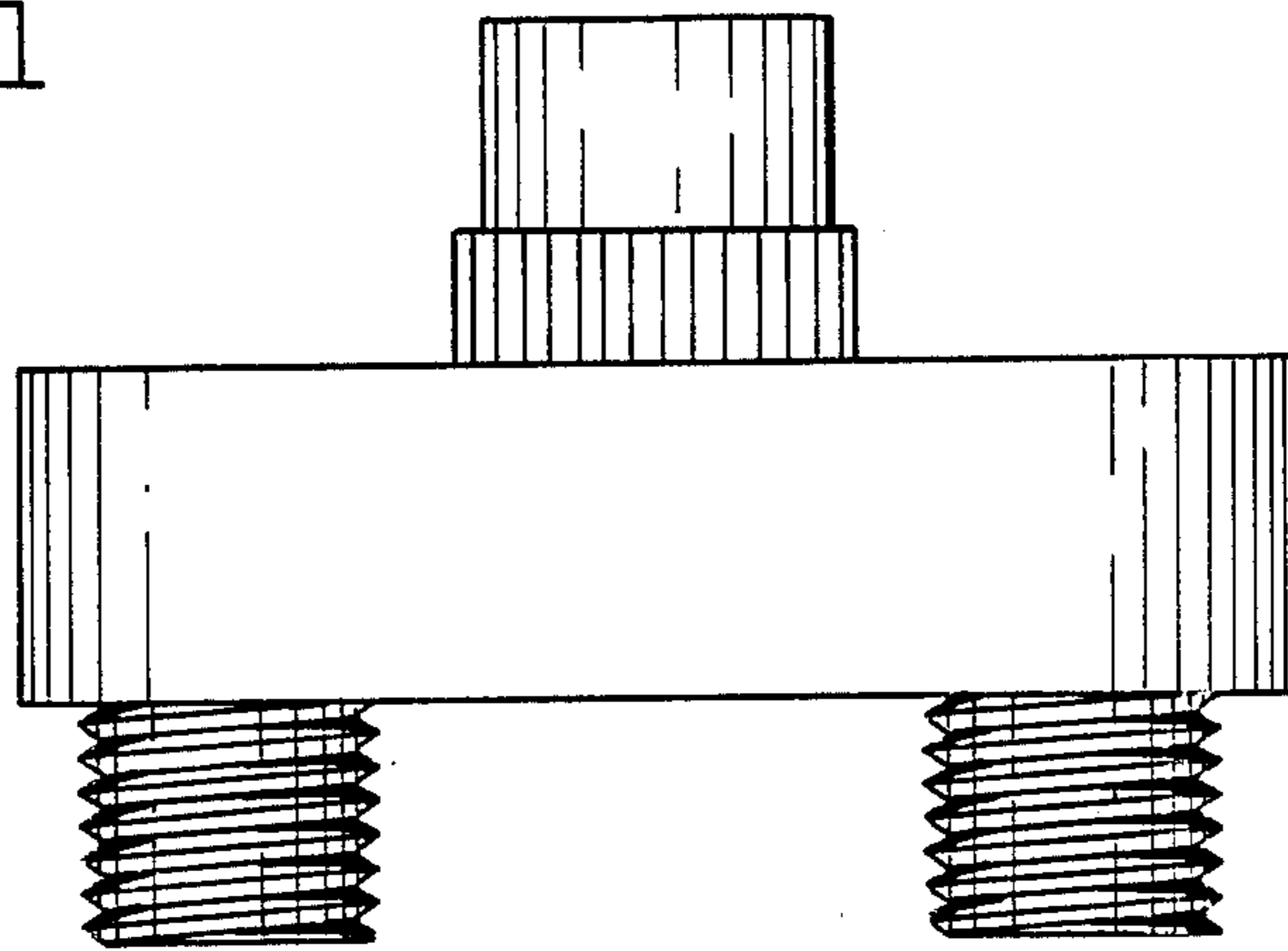


Fig. 2

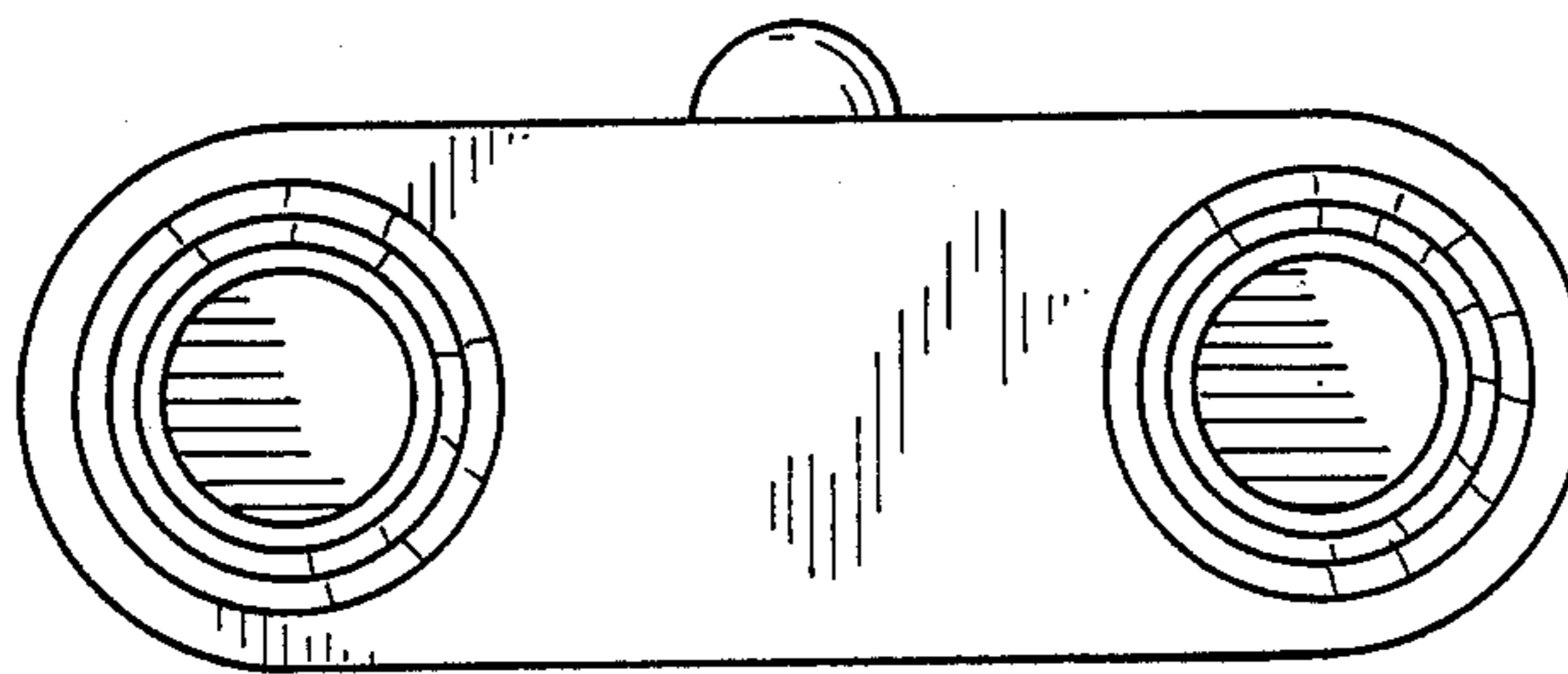


Fig. 3

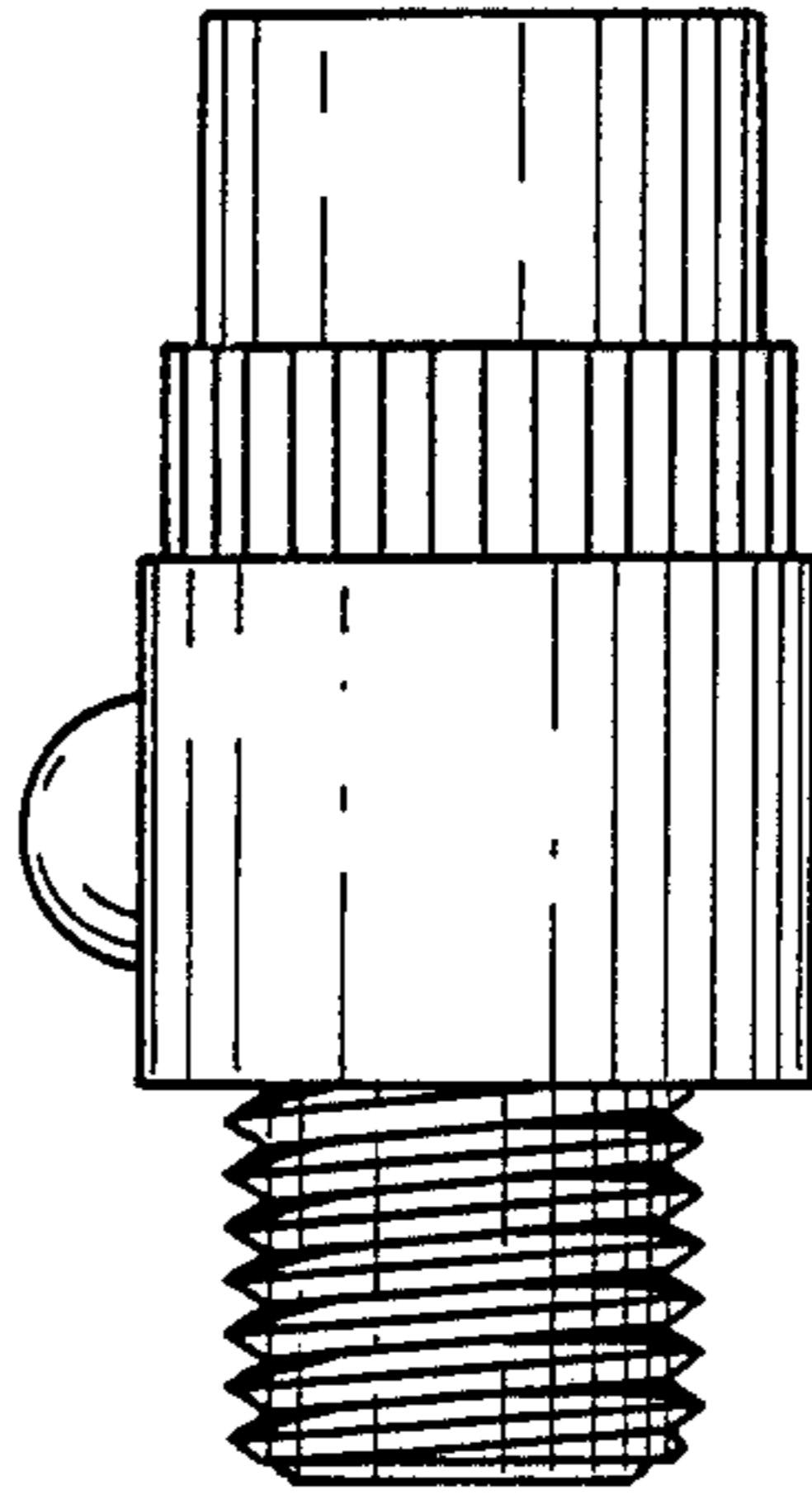


Fig. 4

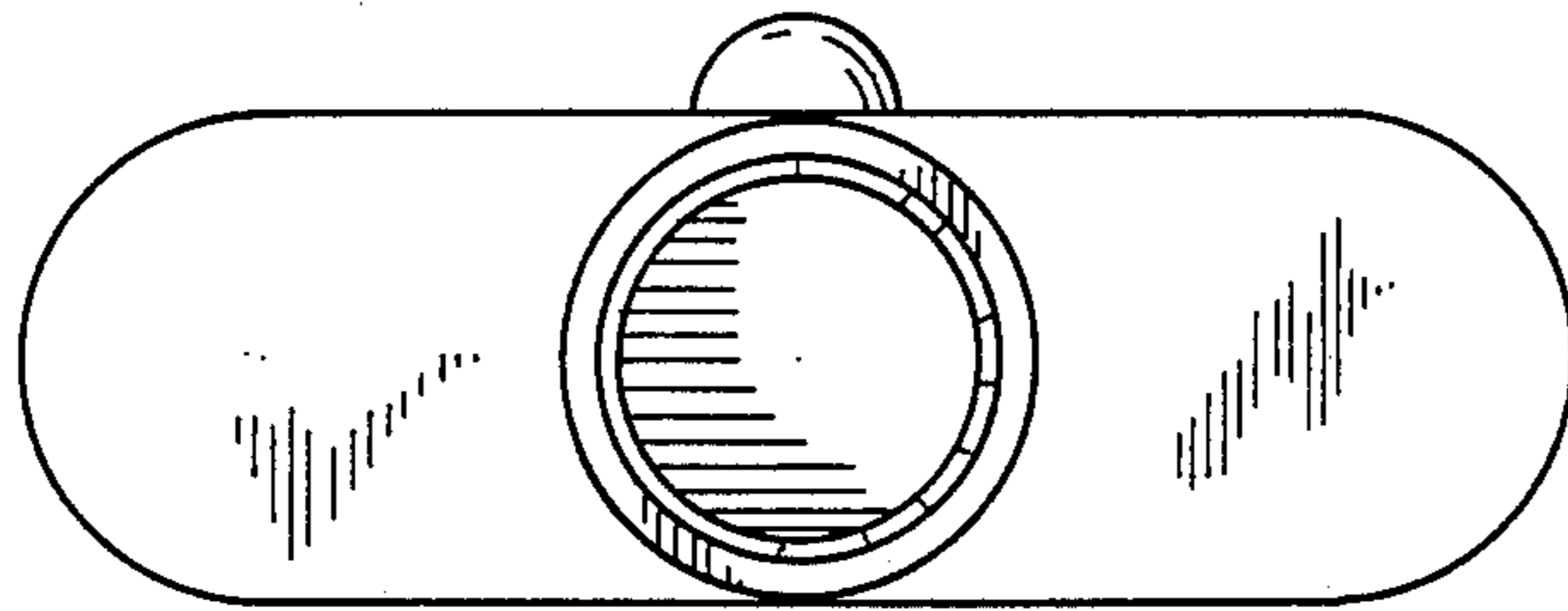


Fig. 5