

[54] ERGOMETER

D. 289,669 5/1987 Kasuba et al. D21/194

[75] Inventor: Jan Capjon, Fagerstrand, Norway

Primary Examiner—Charles A. Rademaker
Attorney, Agent, or Firm—Karl F. Milde, Jr.

[73] Assignee: J. Oglaend, Inc., Mt. Kisco, N.Y.

[57] CLAIM

[**] Term: 14 Years

The ornamental design for the ergometer, as shown and described.

[21] Appl. No.: 944,888

DESCRIPTION

[22] Filed: Dec. 19, 1986

[52] U.S. Cl. D21/194

[58] Field of Search D21/191-199;
271/70.3, 73, 132; 73/379

FIG. 1 is a perspective view of an ergometer showing my new design;

FIG. 2 is a front elevational view thereof;

FIG. 3 is a rear elevational view thereof;

FIG. 4 is a side elevational view thereof;

FIG. 5 is a side elevational view of the side opposite that shown in FIG. 4.

FIG. 6 is a top plan view thereof; and,

FIG. 7 is a bottom plan view thereof.

[56] References Cited

U.S. PATENT DOCUMENTS

D. 285,816 9/1986 Berntsson D21/194

D. 285,953 9/1986 Gustafsson D21/194

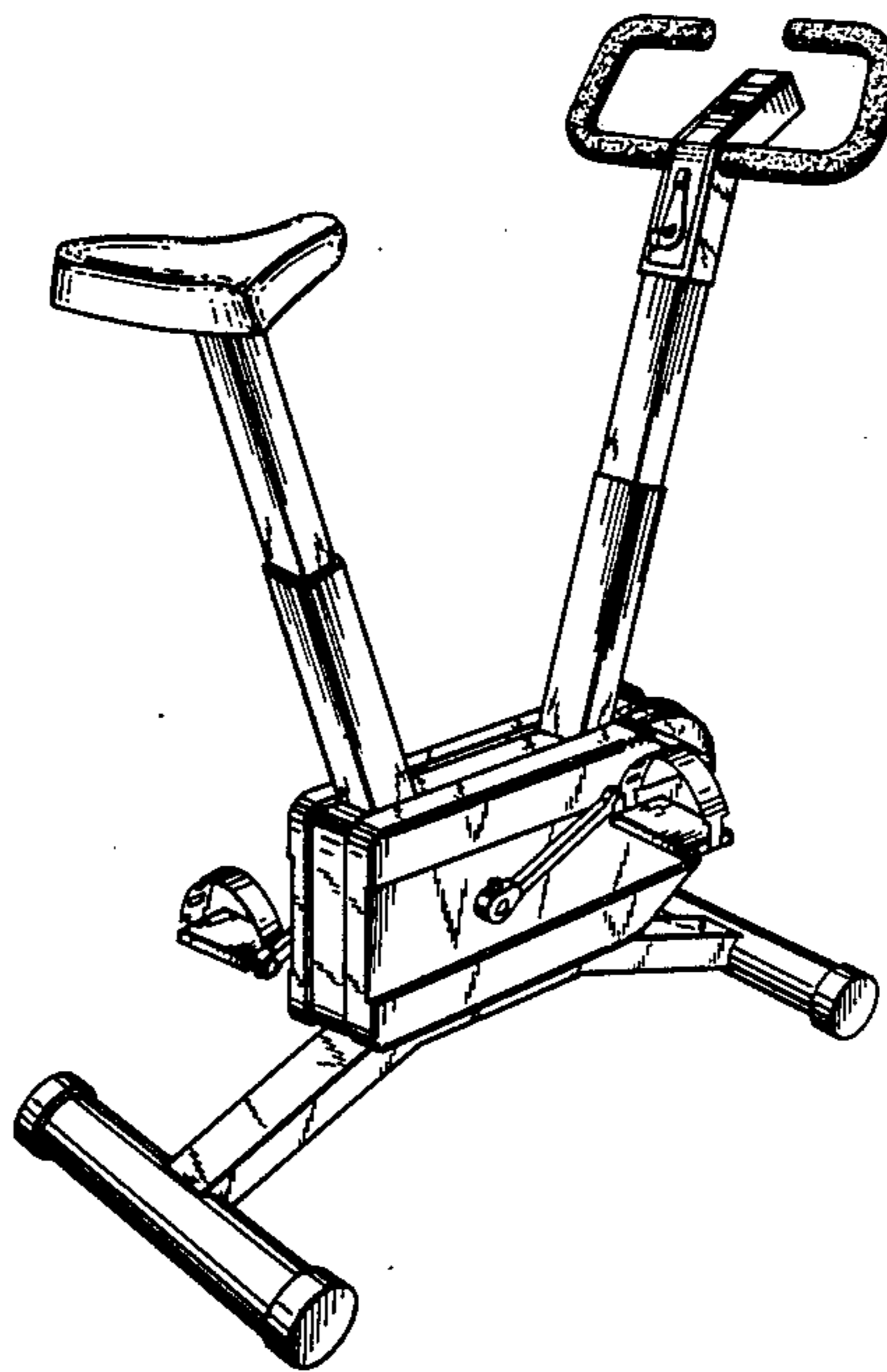


FIG. 1

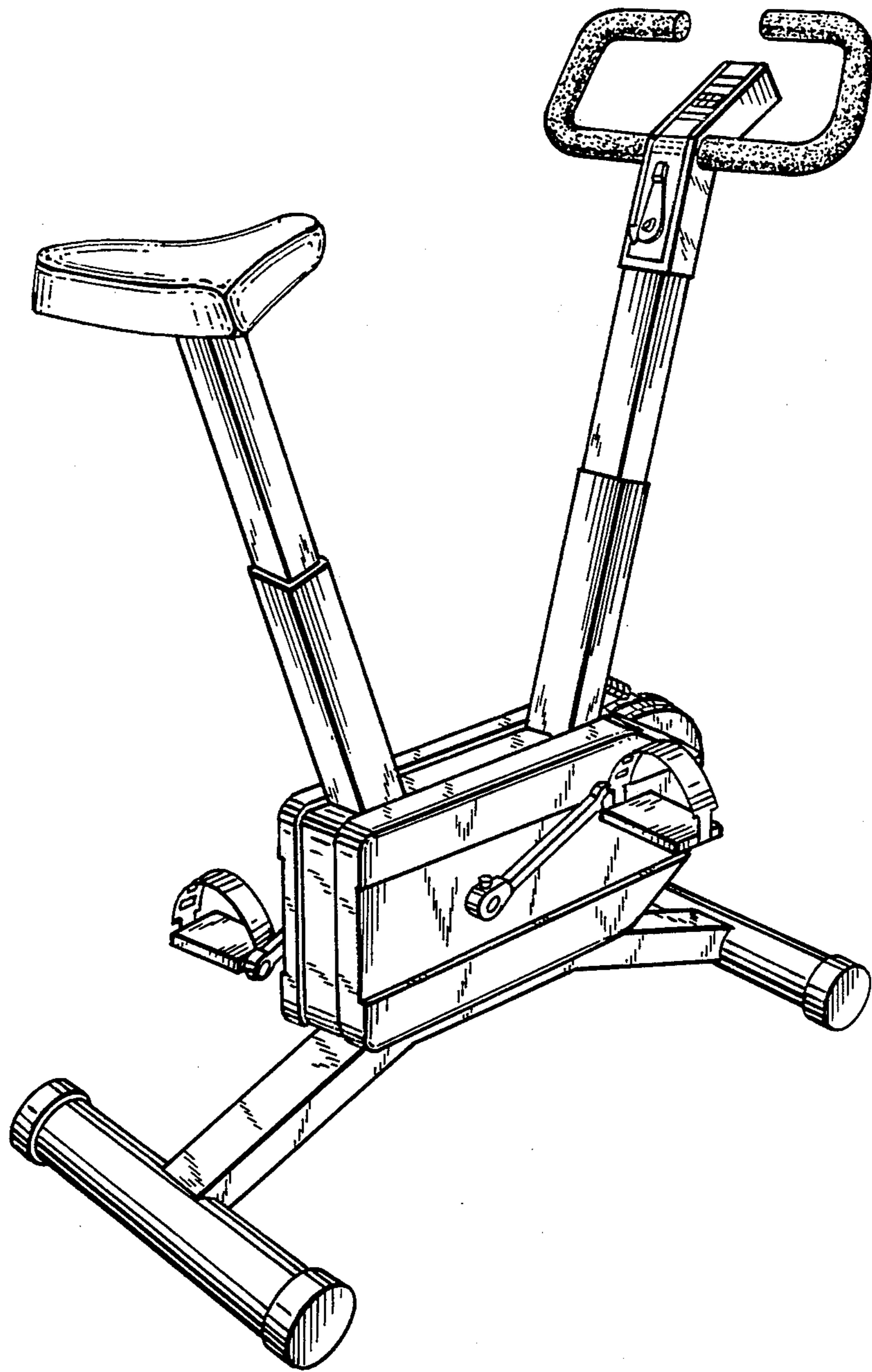


FIG.2

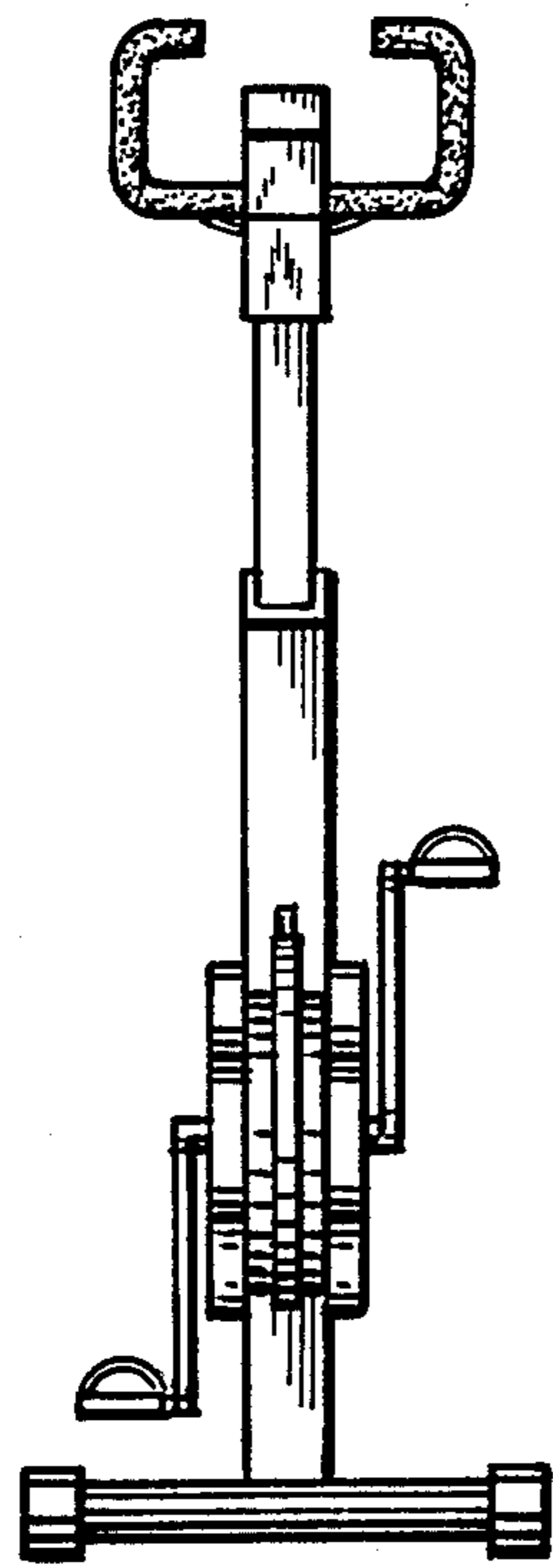


FIG.3

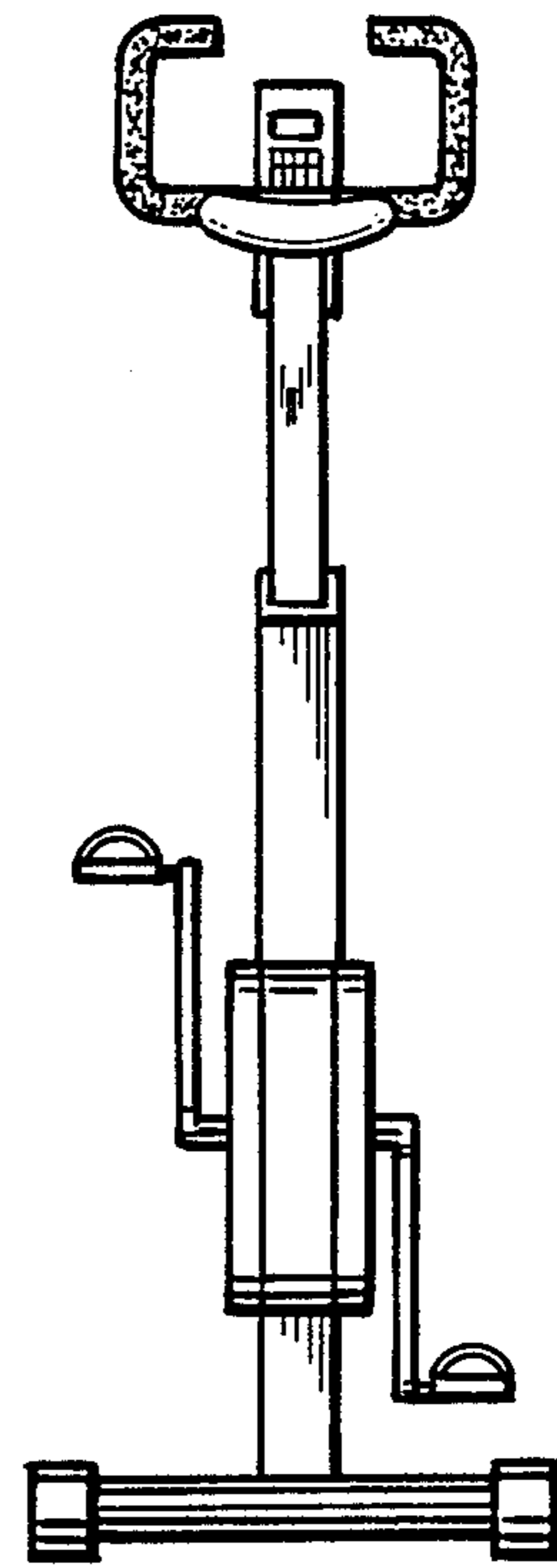


FIG.4

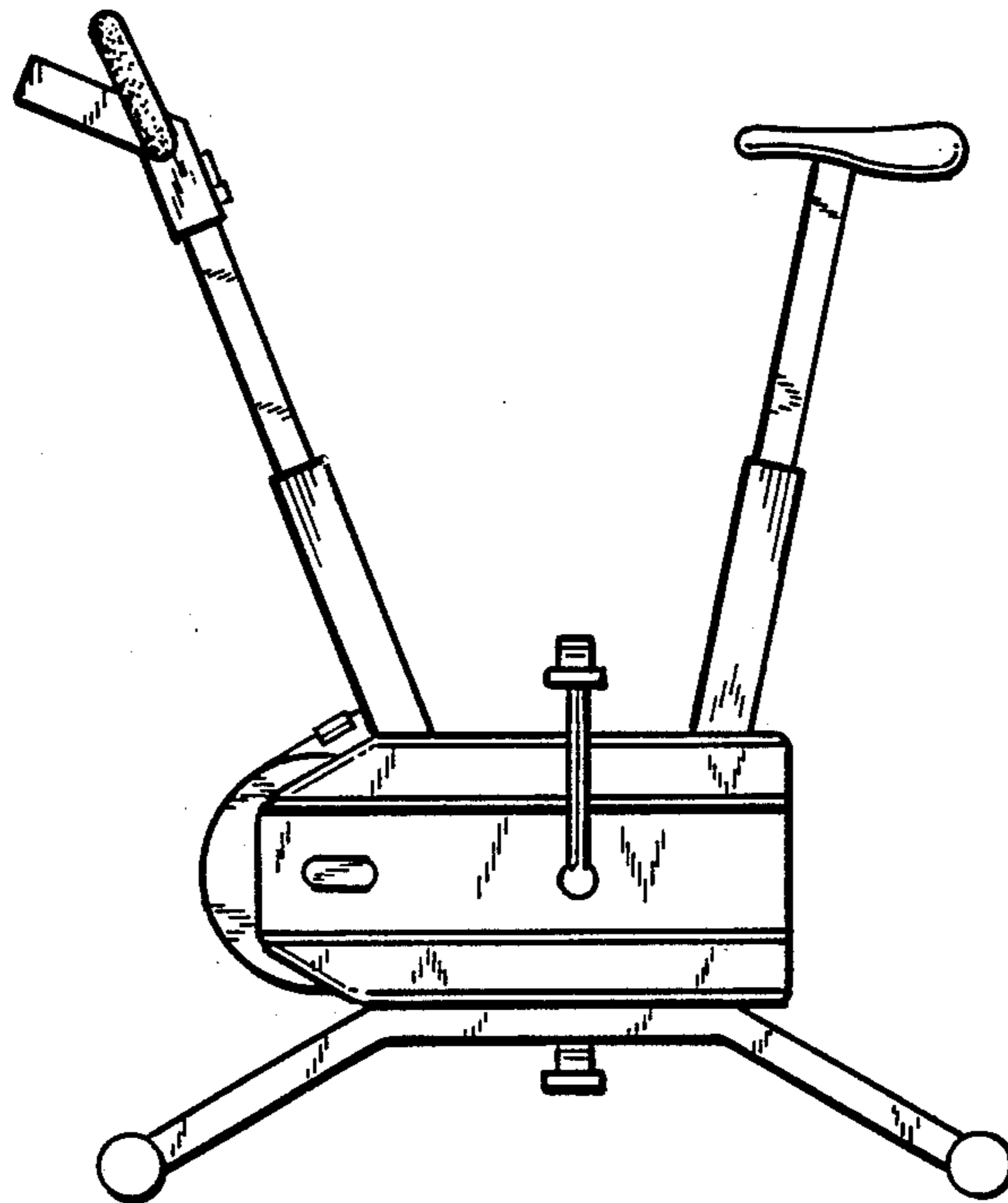


FIG.5

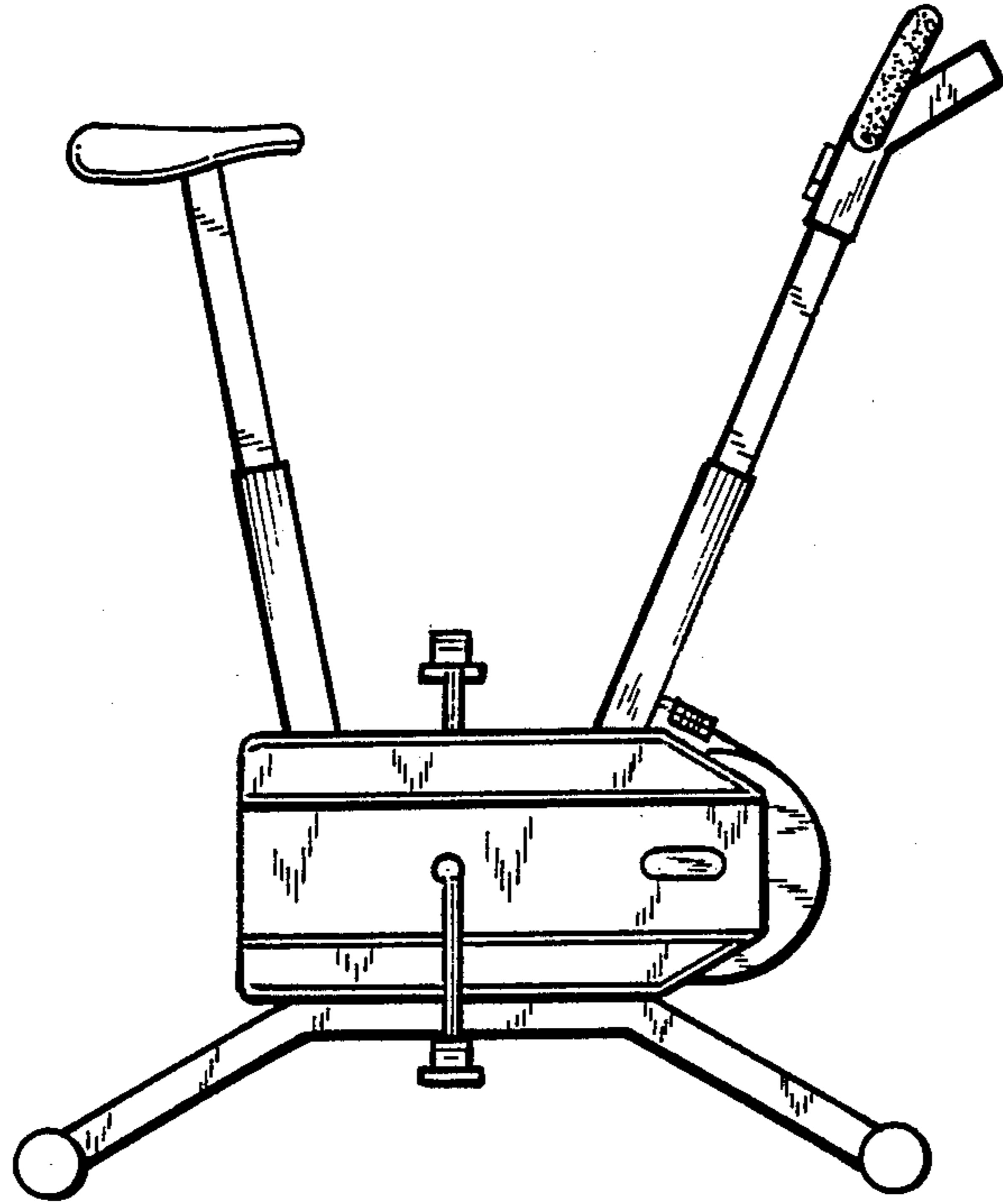


FIG.6

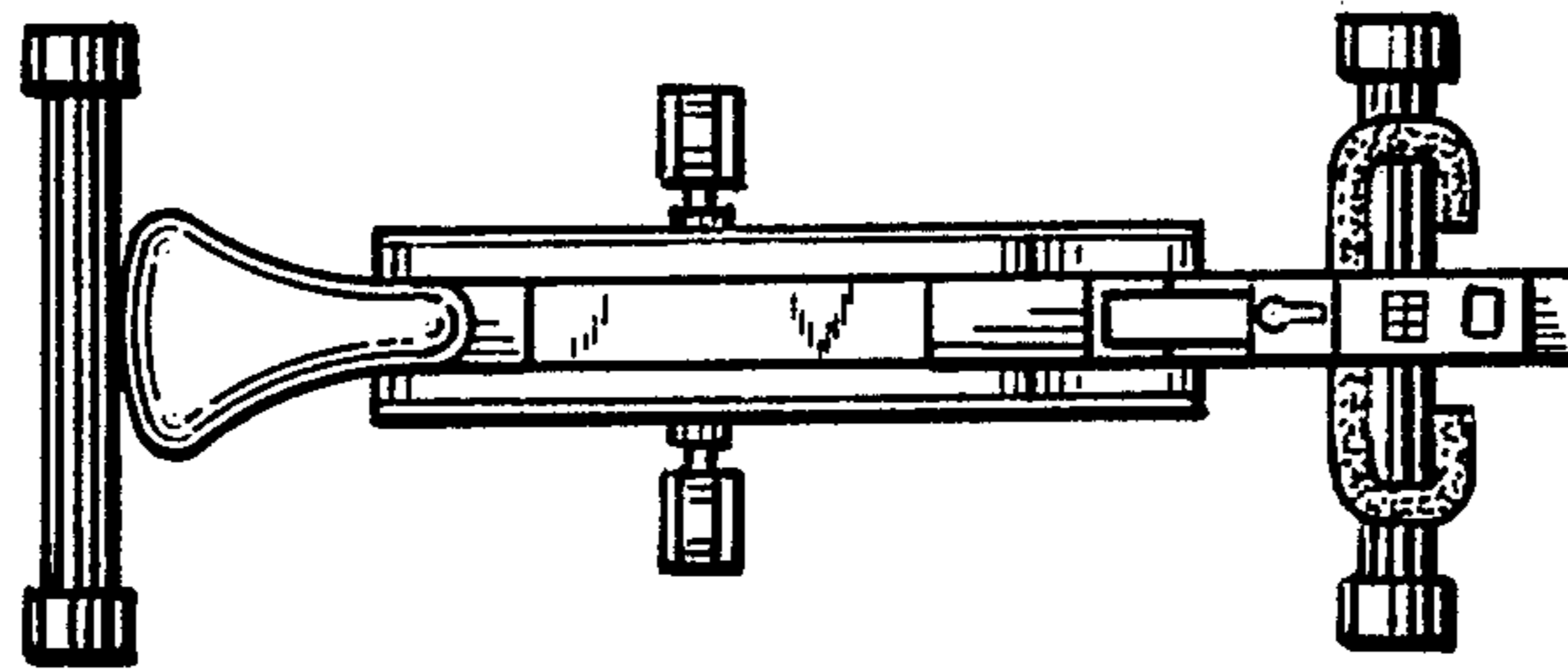


FIG.7

