

[54] PORTABLE DISPLAY SIGN

[76] Inventor: Larry O. Myshyniuk, 950 SW. 15th Ave., Delray Beach, Fla. 33444

[**] Term: 14 Years

[21] Appl. No.: 826,213

[22] Filed: Feb. 5, 1986

[52] U.S. Cl. D20/10

[58] Field of Search D20/10, 12, 17, 19, D20/29, 38, 39, 40, 41, 42, 43; 40/541, 564, 546, 549, 558, 575, 606, 578, 584, 572, 611, 617, 618, 619

D. 288,101 2/1987 Rohrer D20/10
D. 290,377 6/1987 Wood et al. D20/10
4,115,937 9/1978 Wolpert 40/611 X

OTHER PUBLICATIONS

Andco Architectural Signage Systems Catalog No. 2-1975/76 p. 7 Sign No. 100.

Primary Examiner—Susan J. Lucas
Assistant Examiner—Freda S. Nunn
Attorney, Agent, or Firm—Trask, Britt & Rossa

[57] CLAIM

The ornamental design for a portable display sign, as shown and described.

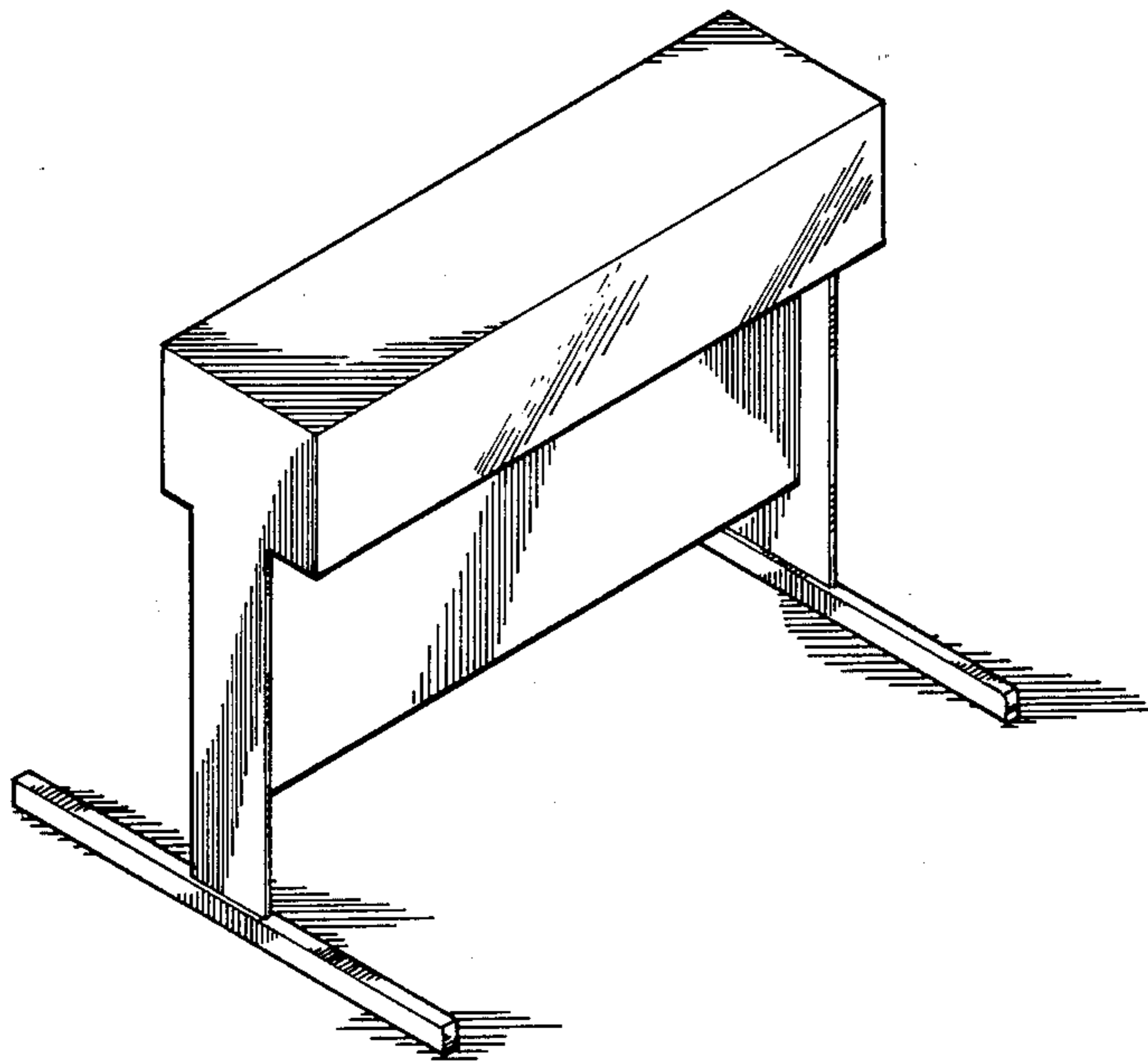
DESCRIPTION

FIG. 1 is a perspective view of a portable display sign showing my new design;
FIG. 2 is a bottom plan view thereof;
FIG. 3 is a top plan view thereof;
FIG. 4 is a right side elevational view thereof, the left side being a mirror image;
FIG. 5 is a front elevational view thereof the rear being a mirror image.

[56] References Cited

U.S. PATENT DOCUMENTS

- D. 104,569 5/1937 Hammer D20/10
- D. 106,116 9/1937 Kay D20/10
- D. 115,561 7/1939 Lee D20/10
- D. 116,693 9/1939 Joyce et al. D20/19
- D. 183,186 7/1958 Smith D20/41 X
- D. 234,231 1/1975 Alfonso D20/10
- D. 251,335 3/1979 Carrier D20/10
- D. 271,861 12/1983 Patton D20/10 X



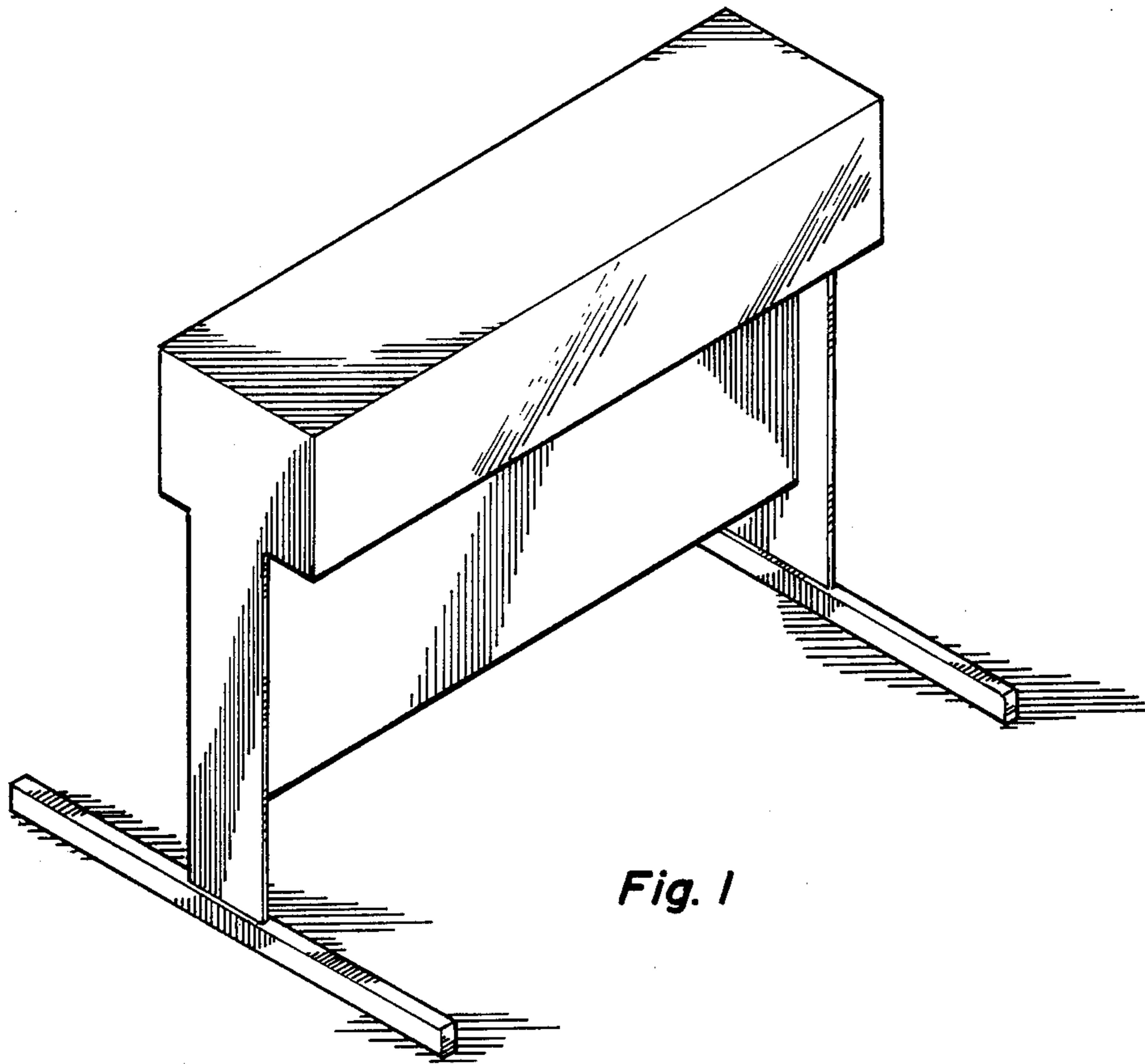


Fig. 1

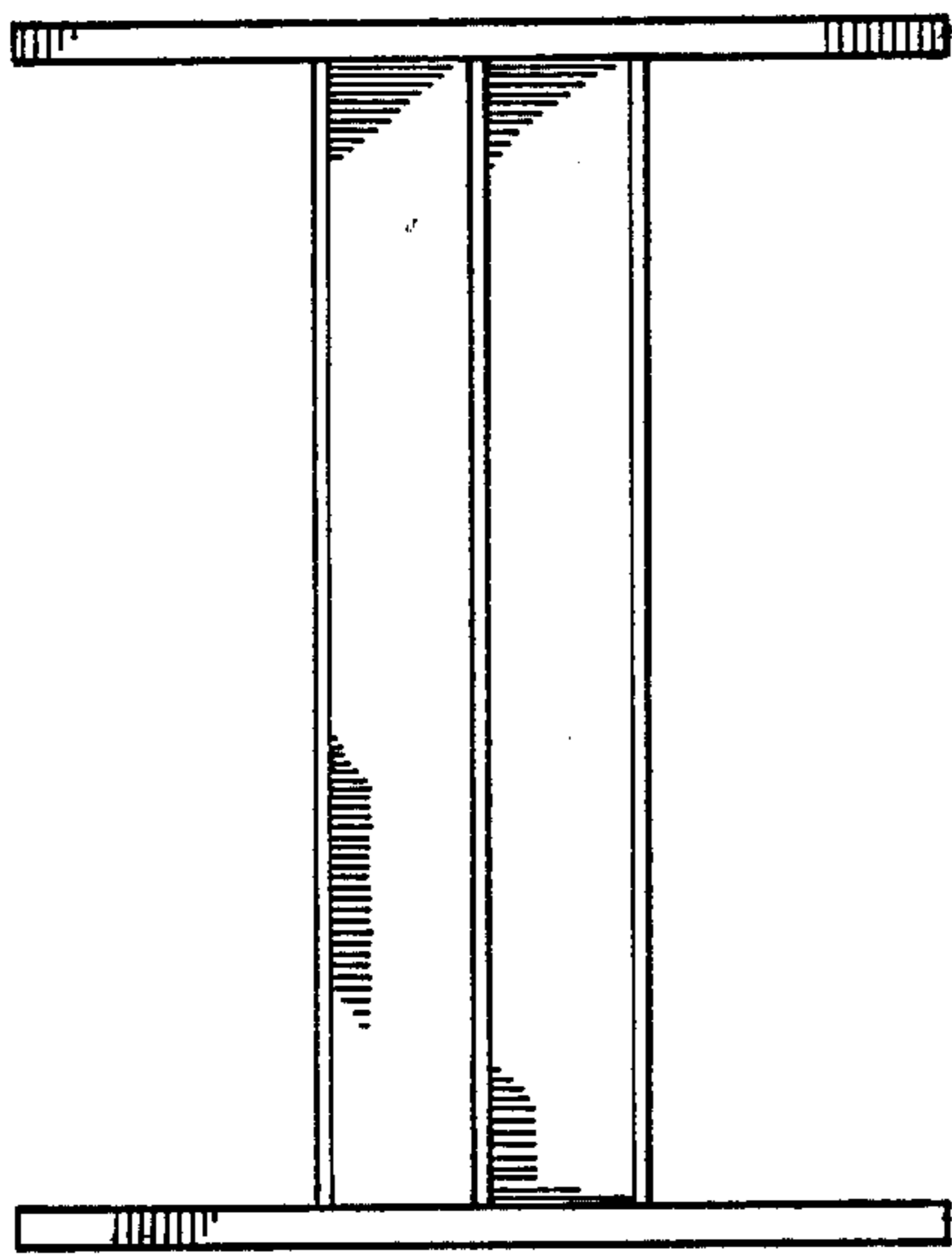


Fig. 2

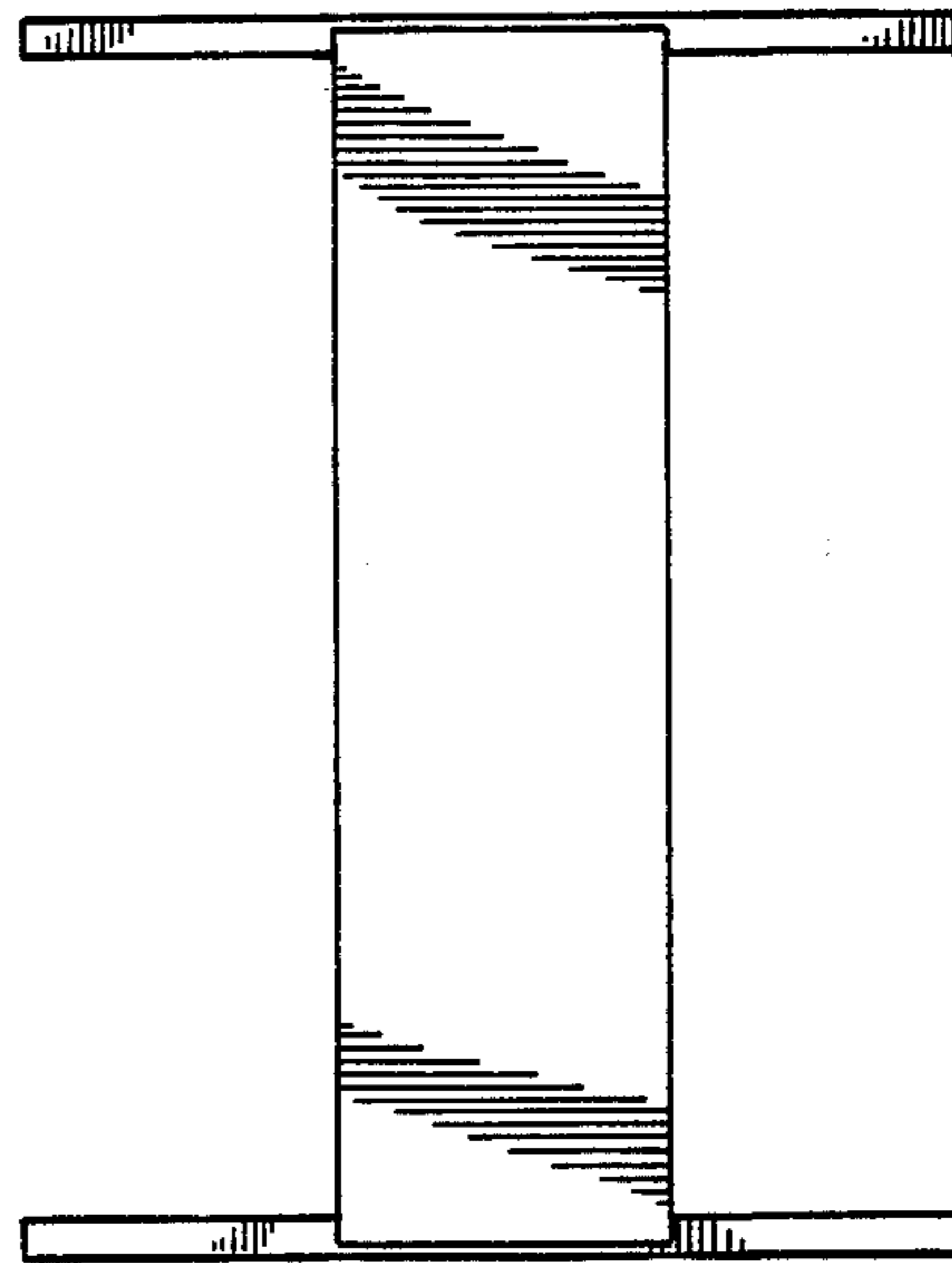


Fig. 3

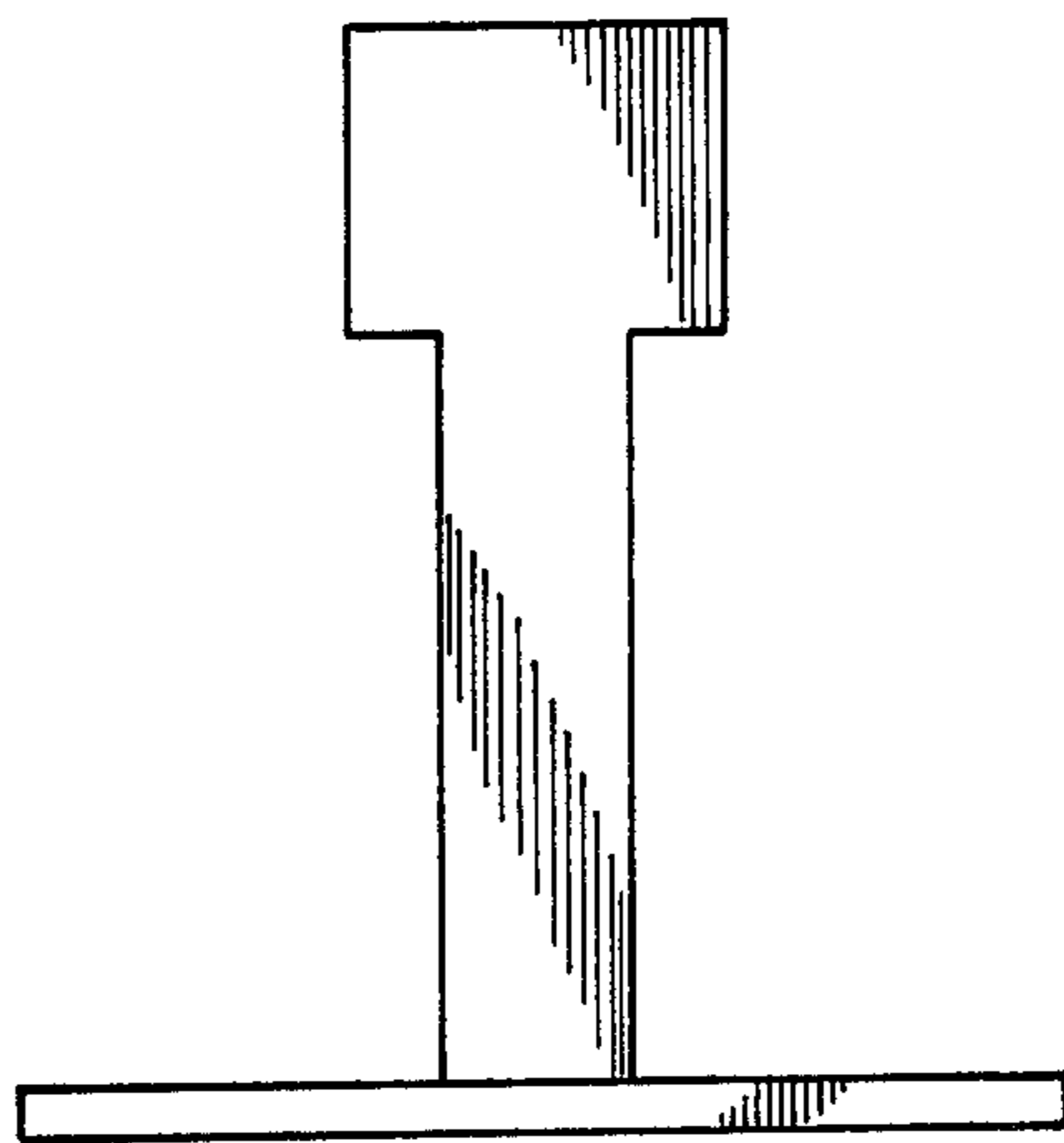


Fig. 4

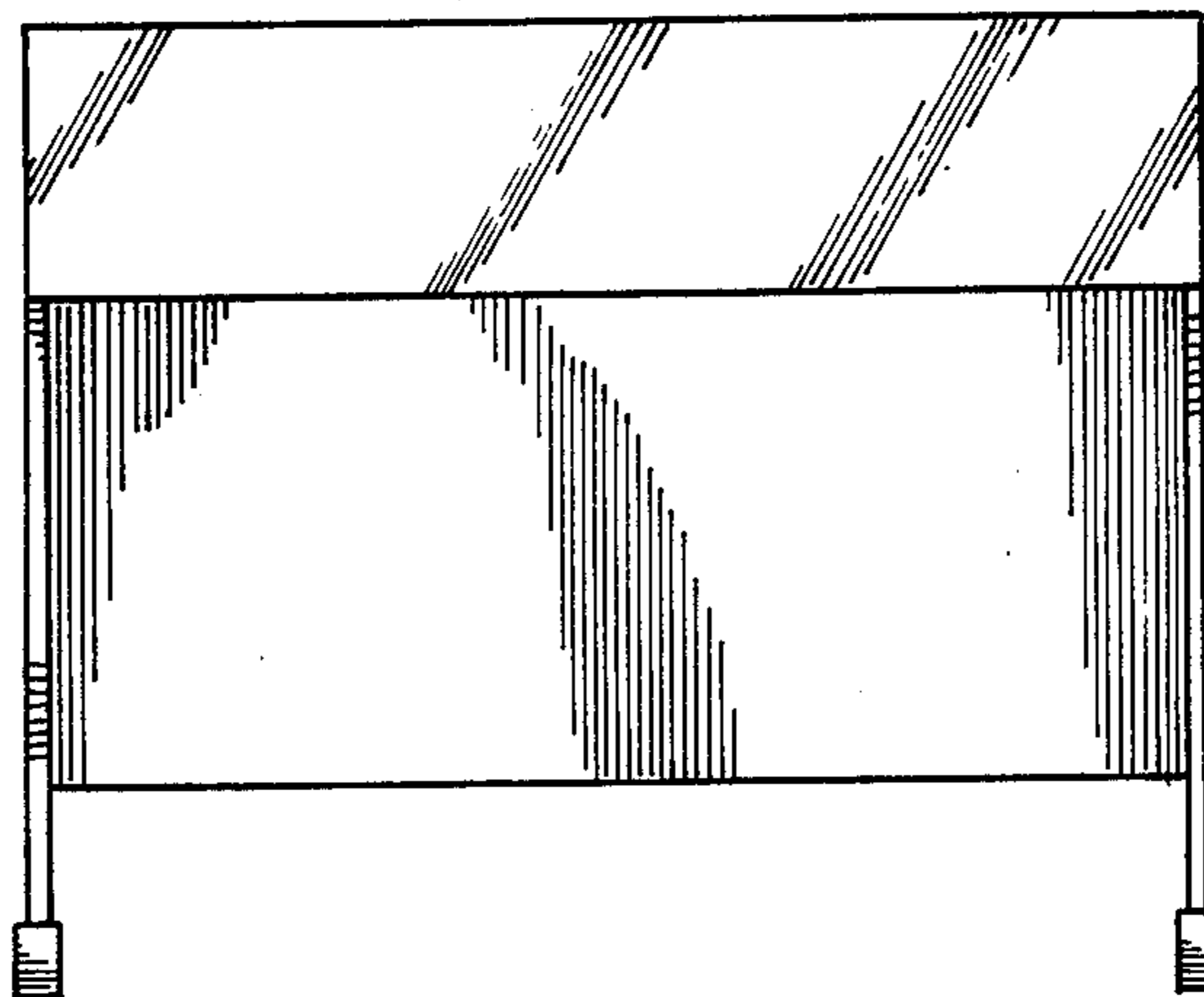


Fig. 5