

[54] POWER-DRIVEN BAND SAW
 [76] Inventor: Marc Wodli, 6 rue Poincare, 67800
 Bischheim, France
 [**] Term: 14 Years
 [21] Appl. No.: 93,891
 [22] Filed: Sep. 4, 1987
 [52] U.S. Cl. D15/134
 [58] Field of Search D15/122, 127, 133, 134;
 83/788, 789, 793-794, 809-811, 813

2,850,055 9/1958 Lasar D15/134
 4,372,185 2/1983 Pila D15/134

Primary Examiner—Bruce W. Dunkins
 Assistant Examiner—Ruth Takemoto
 Attorney, Agent, or Firm—Young & Thompson

[57] CLAIM

The ornamental design for a power-driven band saw, as shown and described.

DESCRIPTION

FIG. 1 is a left side perspective view of a power-driven band saw showing my new design;
 FIG. 2 is a front perspective view thereof;
 FIG. 3 is a right side perspective view thereof;
 FIG. 4 is a rear perspective view thereof; and
 FIG. 5 is a top plan view thereof.

[56] References Cited
 U.S. PATENT DOCUMENTS
 D. 149,203 4/1948 Meeker et al. D15/134
 D. 185,061 5/1959 Brennan D15/134
 D. 286,537 11/1986 Yamamoto D15/134

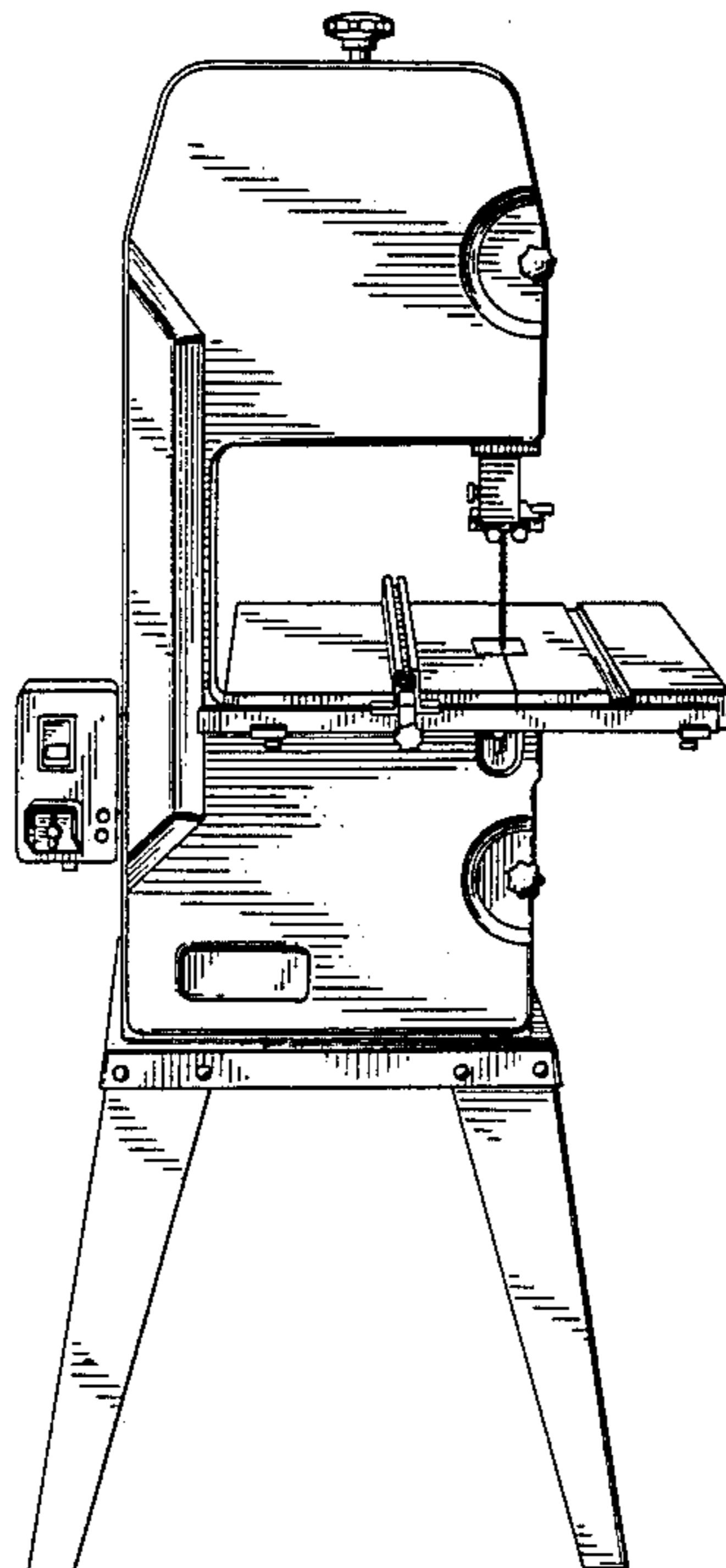


FIG. 1

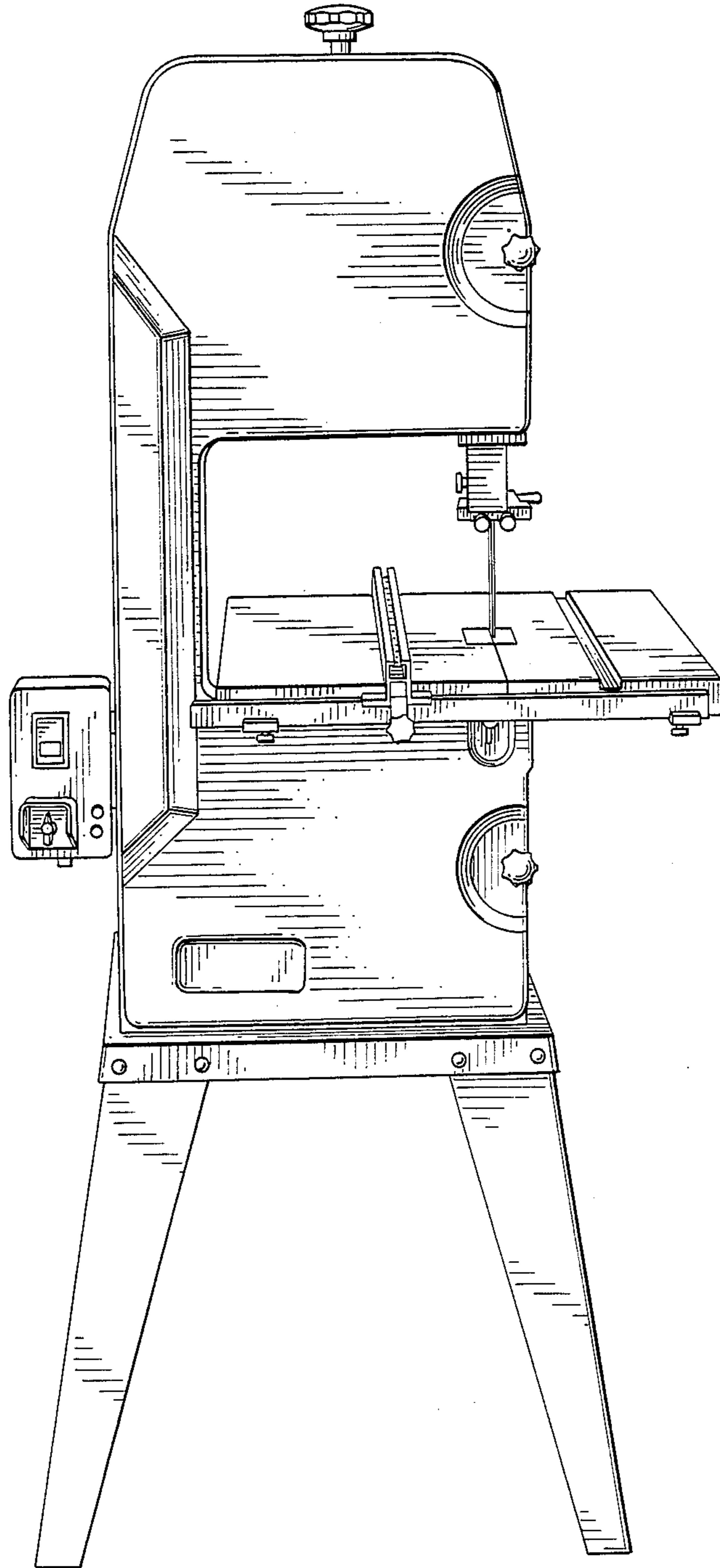


FIG. 2

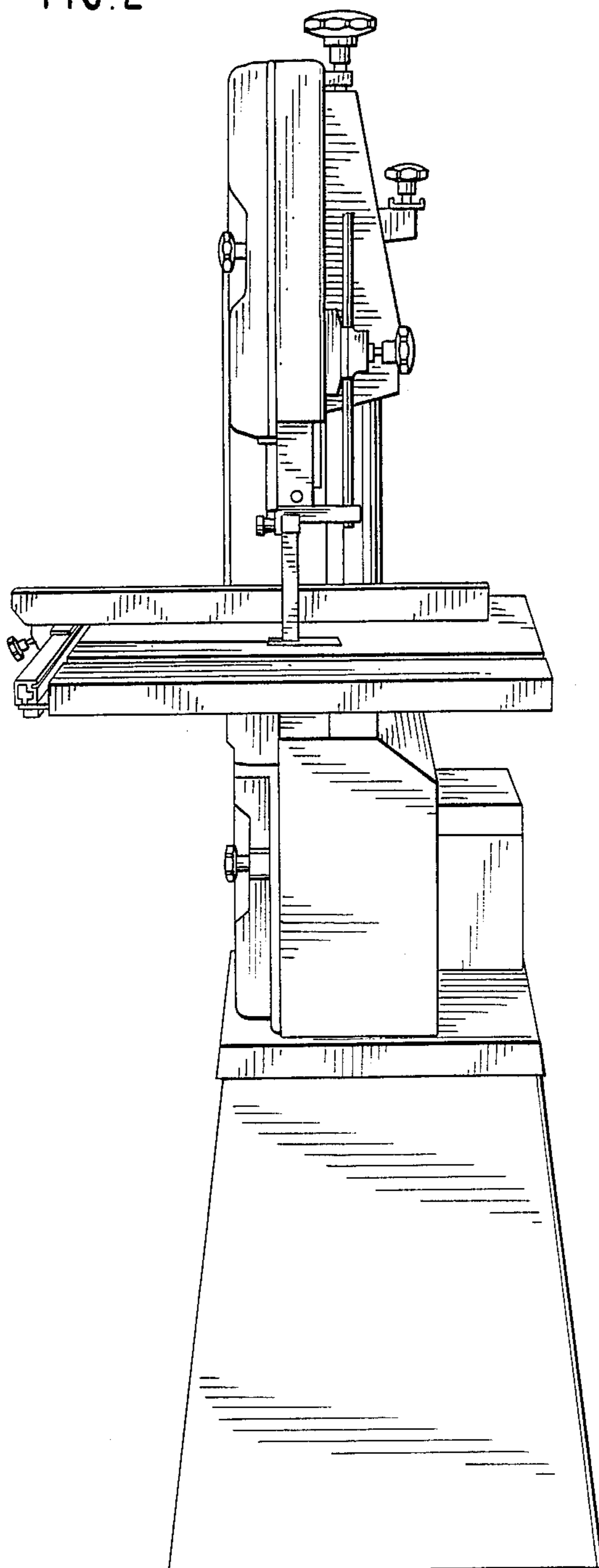


FIG. 3

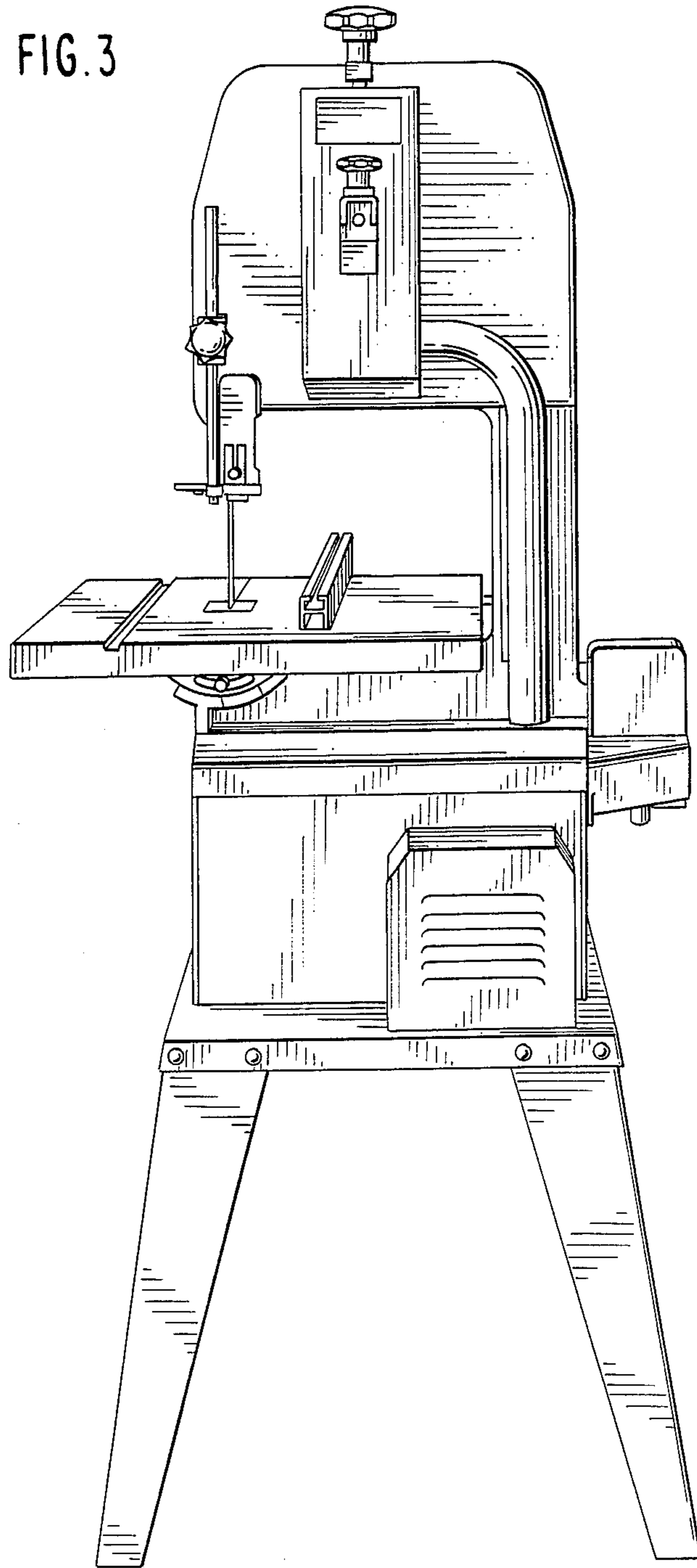


FIG. 4

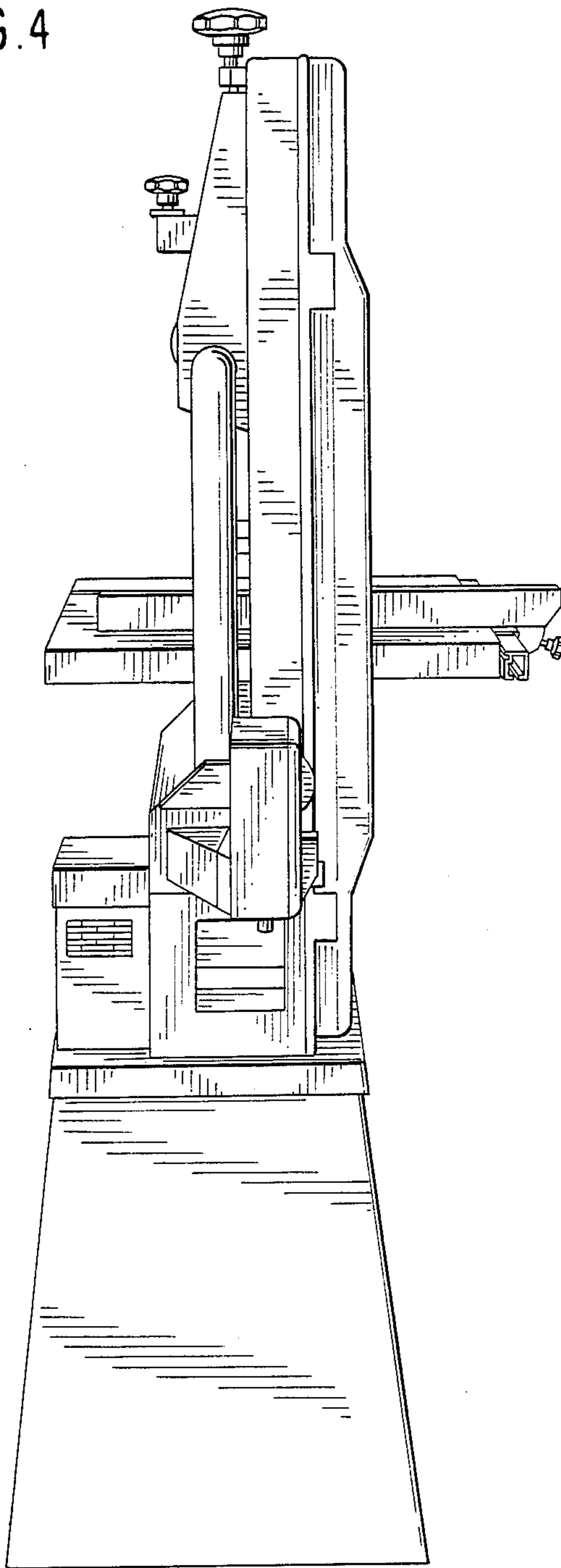


FIG. 5

