

[54] POWER-DRIVEN MILLING MACHINE

[76] Inventor: Marc Wodli, 6 rue Poincare, 67800  
Bischheim, France

[\*\*] Term: 14 Years

[21] Appl. No.: 93,892

[22] Filed: Sep. 4, 1987

[52] U.S. Cl. .... D15/131

[58] Field of Search ..... D15/122, 127, 131;  
409/64, 206, 219, 221, 225, 227, 235, 236, 241

[56] References Cited

U.S. PATENT DOCUMENTS

- D. 243,972 4/1977 Kucyna et al. .... D15/131
- D. 255,243 6/1980 Roch ..... D15/131
- D. 277,104 1/1985 Roch ..... D15/131
- D. 284,383 6/1986 Chen ..... D15/131

- D. 285,084 8/1986 Aldridge, Jr. .... D15/131
- D. 299,467 1/1989 Ritt ..... D15/131

Primary Examiner—Bruce W. Dunkins  
Assistant Examiner—Ruth Takemoto  
Attorney, Agent, or Firm—Young & Thompson

[57] CLAIM

The ornamental design for a power-driven milling machine, as shown.

DESCRIPTION

FIG. 1 is a top and front perspective view of a power-driven milling machine showing my new design; FIG. 2 is a top and side perspective view thereof; FIG. 3 is a top and side perspective view thereof, of the opposite side of FIG. 2. FIG. 4 is a top perspective view thereof; and FIG. 5 is a top and rear perspective view thereof.

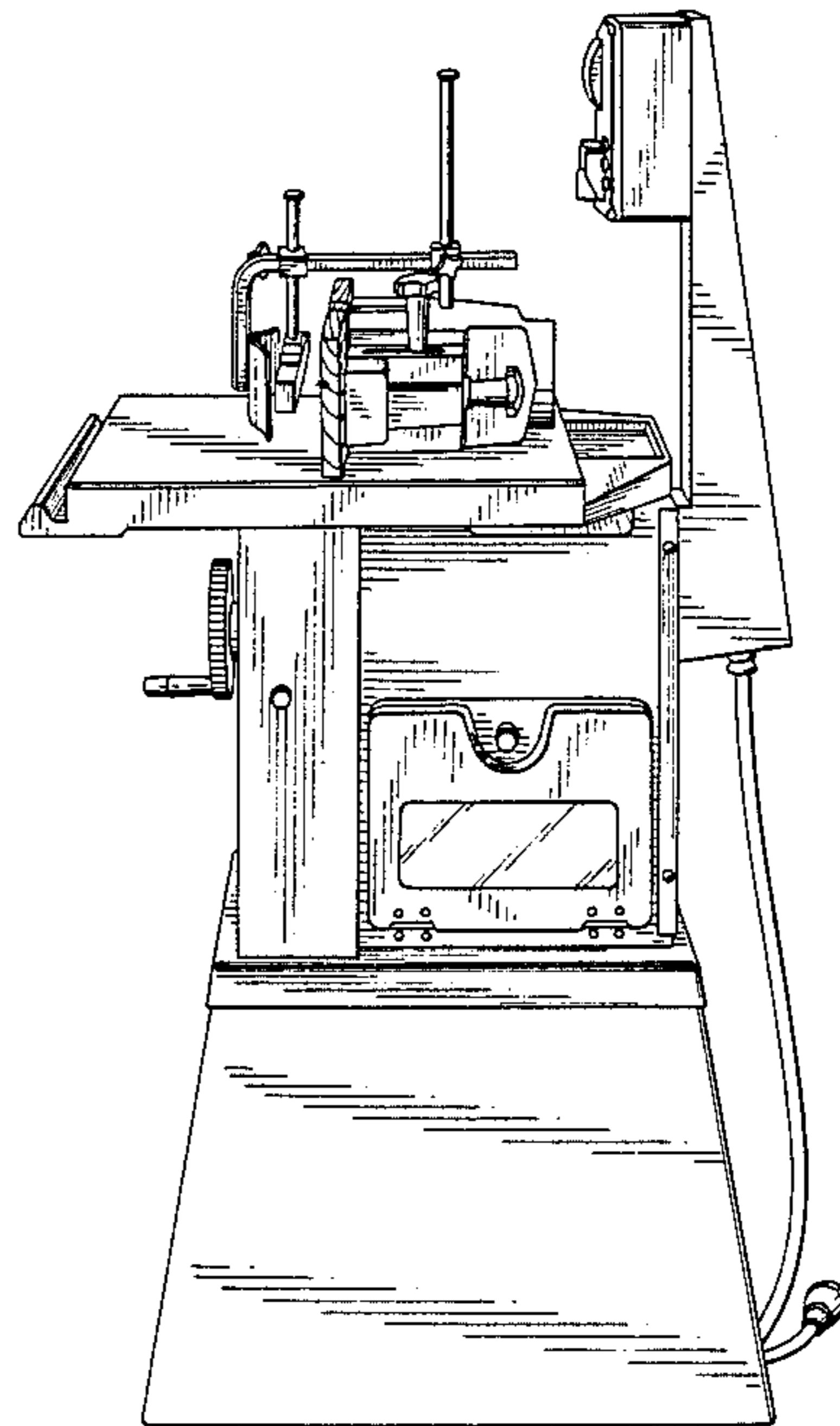
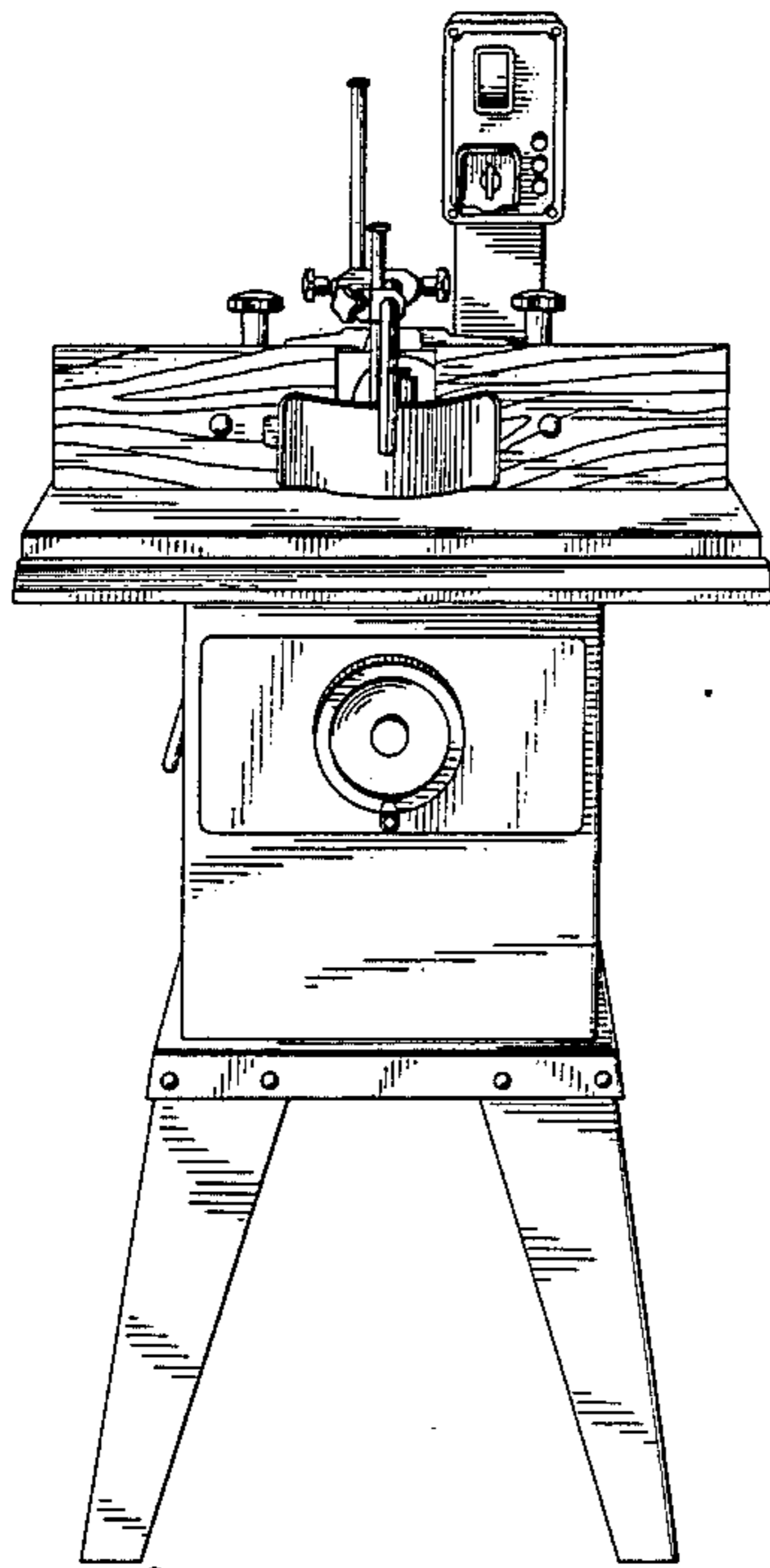


FIG. 1

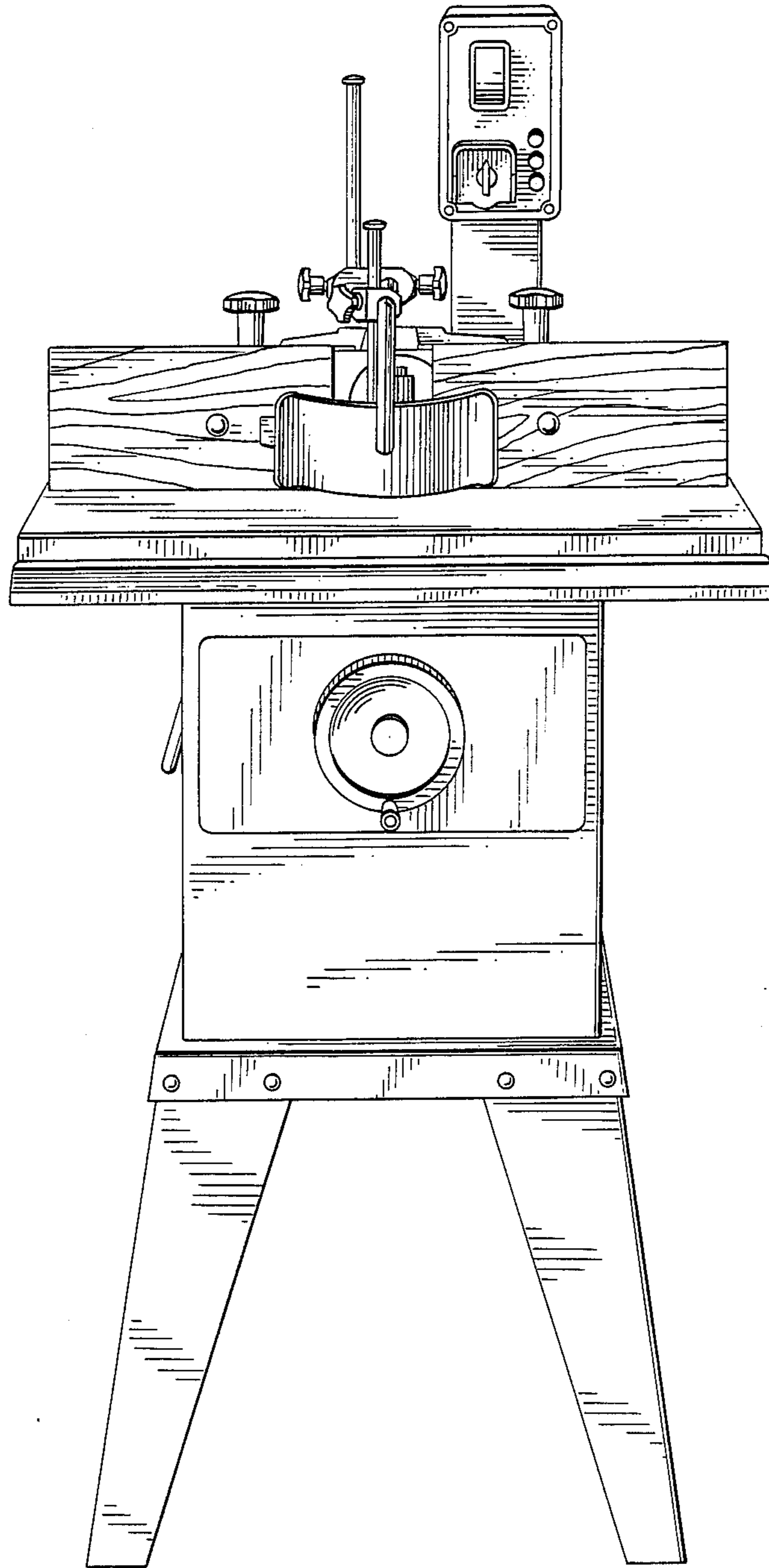


FIG. 2

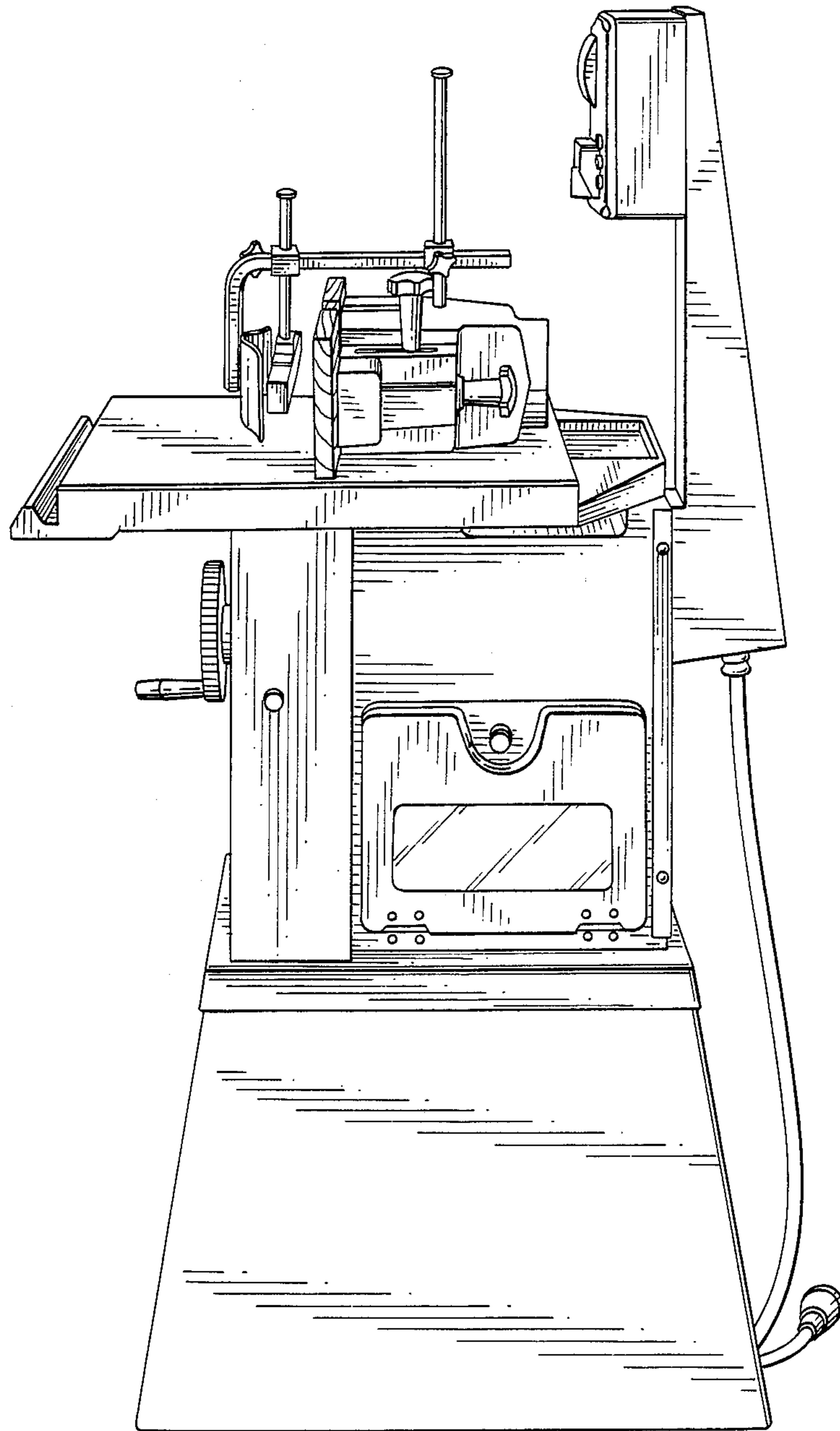


FIG. 3

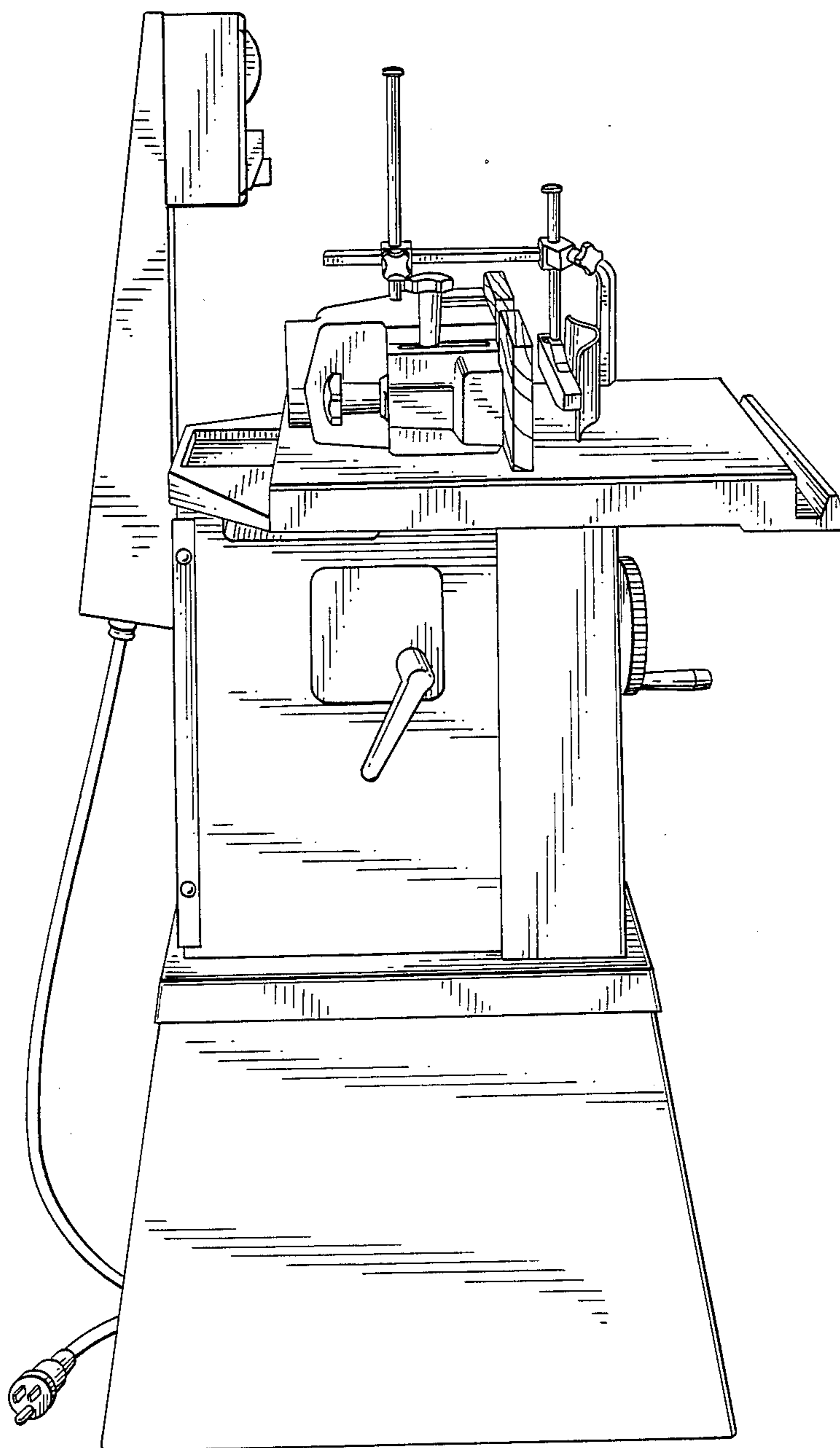


FIG. 4

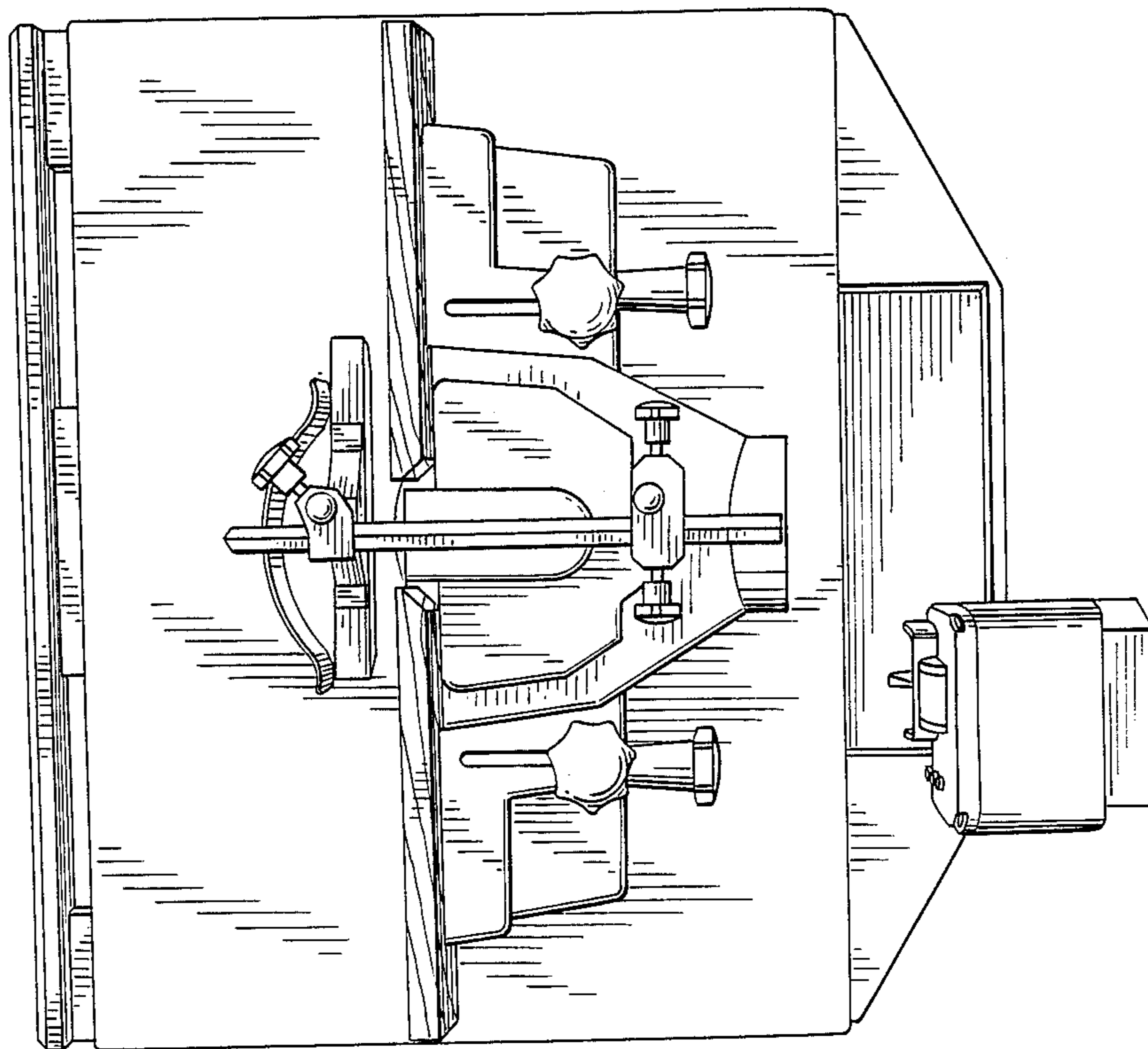


FIG. 5

