

[54] TELEPHONE SET

[75] Inventor: Kash Gobindram, Farmingdale, N.Y.

[73] Assignee: Kash 'N' Gold Ltd., Ronkonkoma, N.Y.

[\*\*] Term: 14 Years

[21] Appl. No.: 36,247

[22] Filed: Apr. 9, 1987

[52] U.S. Cl. .... D14/143; D14/142; D14/148

[58] Field of Search ..... D14/52, 53, 63, 64; D21/111, 157, 122, 129; 379/440, 428, 433, 436, 419, 441

[56] References Cited

U.S. PATENT DOCUMENTS

D. 68,611	11/1925	Brainard	.....	D21/129 X
D. 161,778	1/1951	Mueller, Jr.	.....	D21/122 X
D. 250,611	12/1978	Barlow et al.	.....	D21/129
D. 260,888	9/1981	Thomas	.....	D14/53
D. 261,647	11/1981	Thomas	.....	D14/53
D. 261,649	11/1981	Thomas	.....	D11/157 X
D. 261,763	11/1981	Thomas	.....	D21/111 X

D. 267,090	11/1982	Thomas	.....	D21/111 X
D. 270,635	9/1983	Bloem, Sr.	.....	D14/64
D. 277,378	1/1985	Cooke et al.	.....	D14/64 X
D. 279,672	7/1985	Baum	.....	D14/64 X
D. 291,570	8/1987	Basch	.....	D14/64
D. 295,410	4/1988	Yoshiharu	.....	D14/53 X
D. 295,745	5/1988	Reichenstein	.....	D14/64

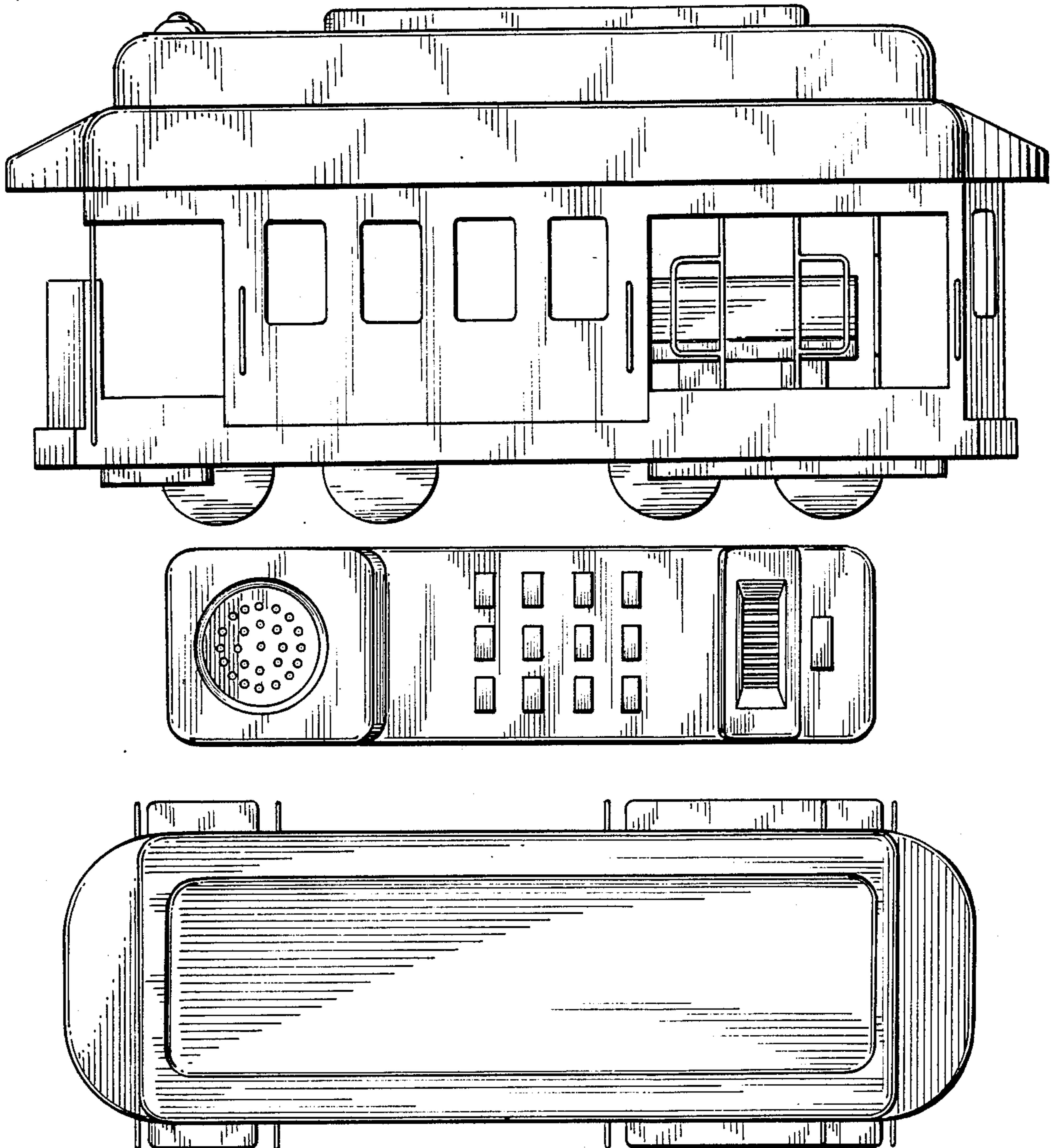
Primary Examiner—Horace B. Fay, Jr.  
Attorney, Agent, or Firm—Cooper & Dunham

[57] CLAIM

The ornamental design for a telephone set, as shown and described.

DESCRIPTION

FIG. 1 is a side elevational view of a telephone set showing my new design in cradled relationship the side opposite being a mirror image thereof; FIG. 2 is a top plan view thereof; FIGS. 3 and 4 are respectively front and rear elevational views thereof; FIG. 5 is a bottom plan view thereof; and FIG. 6 is a bracket associated bottom plan view of the inverted handset and a spaced-apart top plan view of the receiver stand of the telephone set.



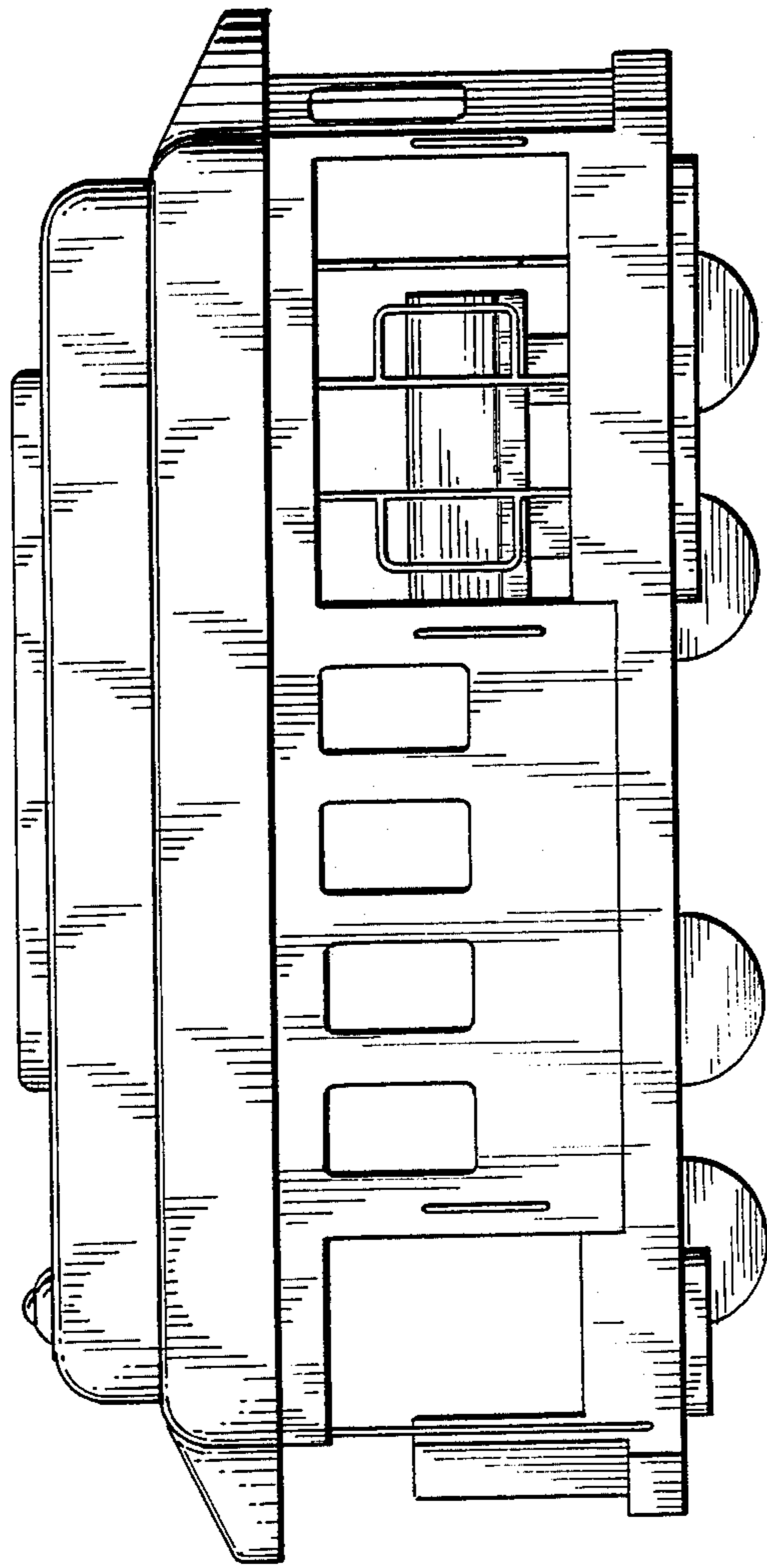


Fig. 1.

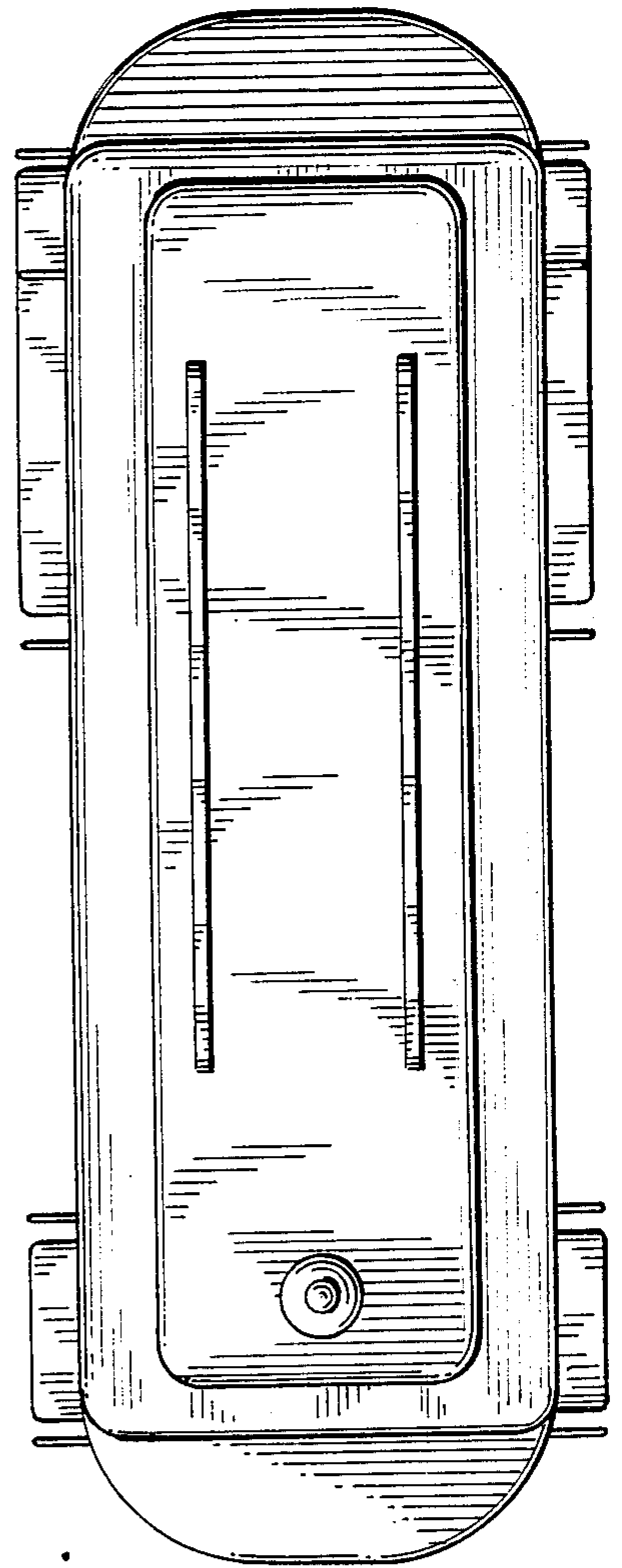


Fig. 2.

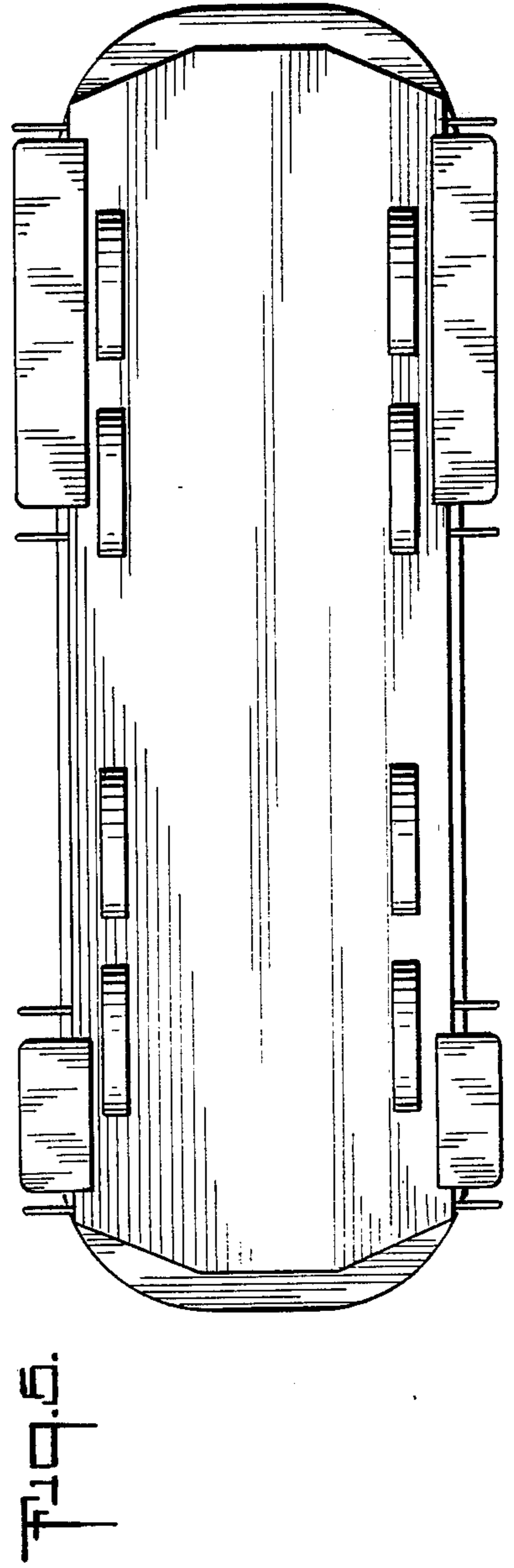
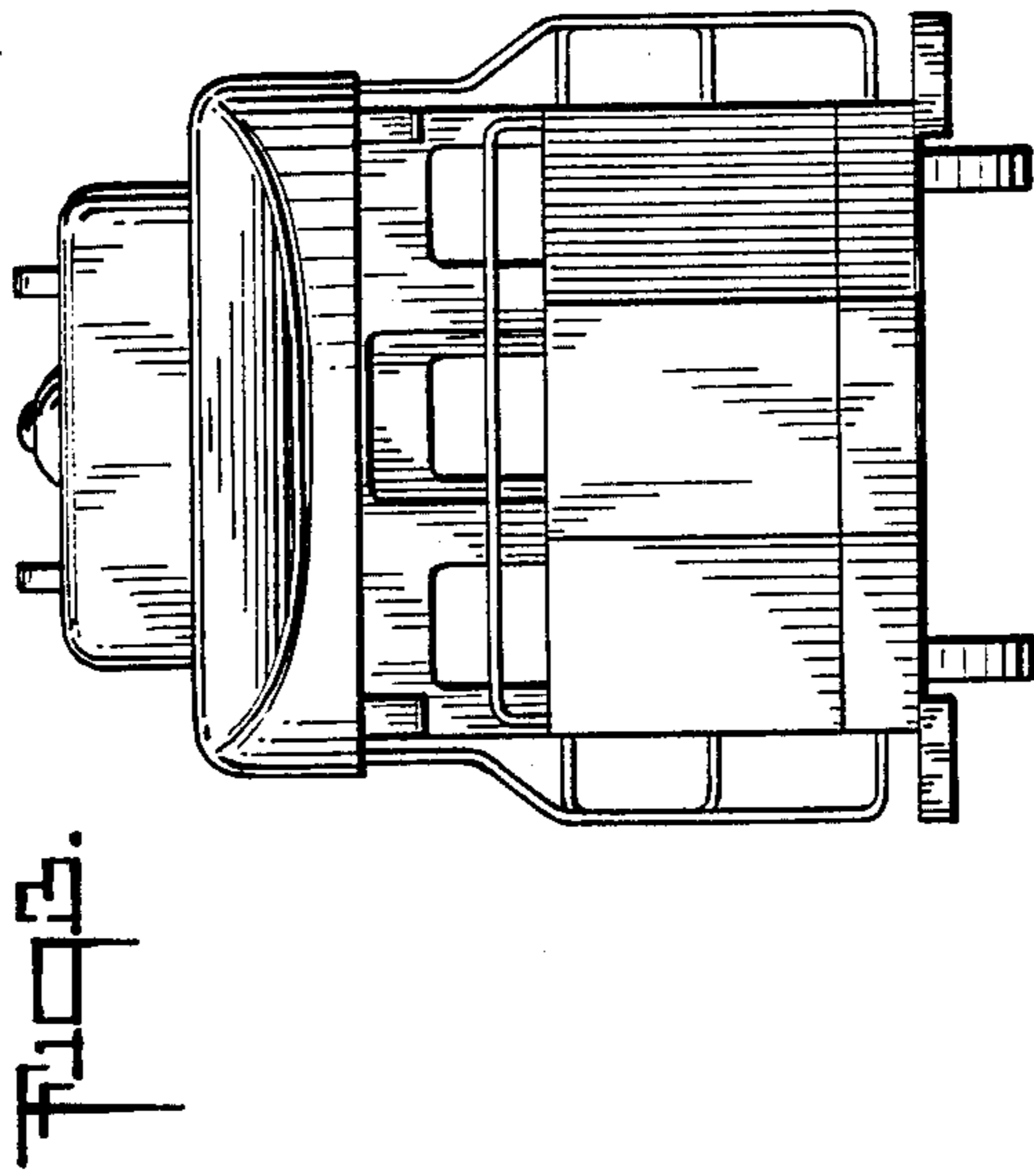
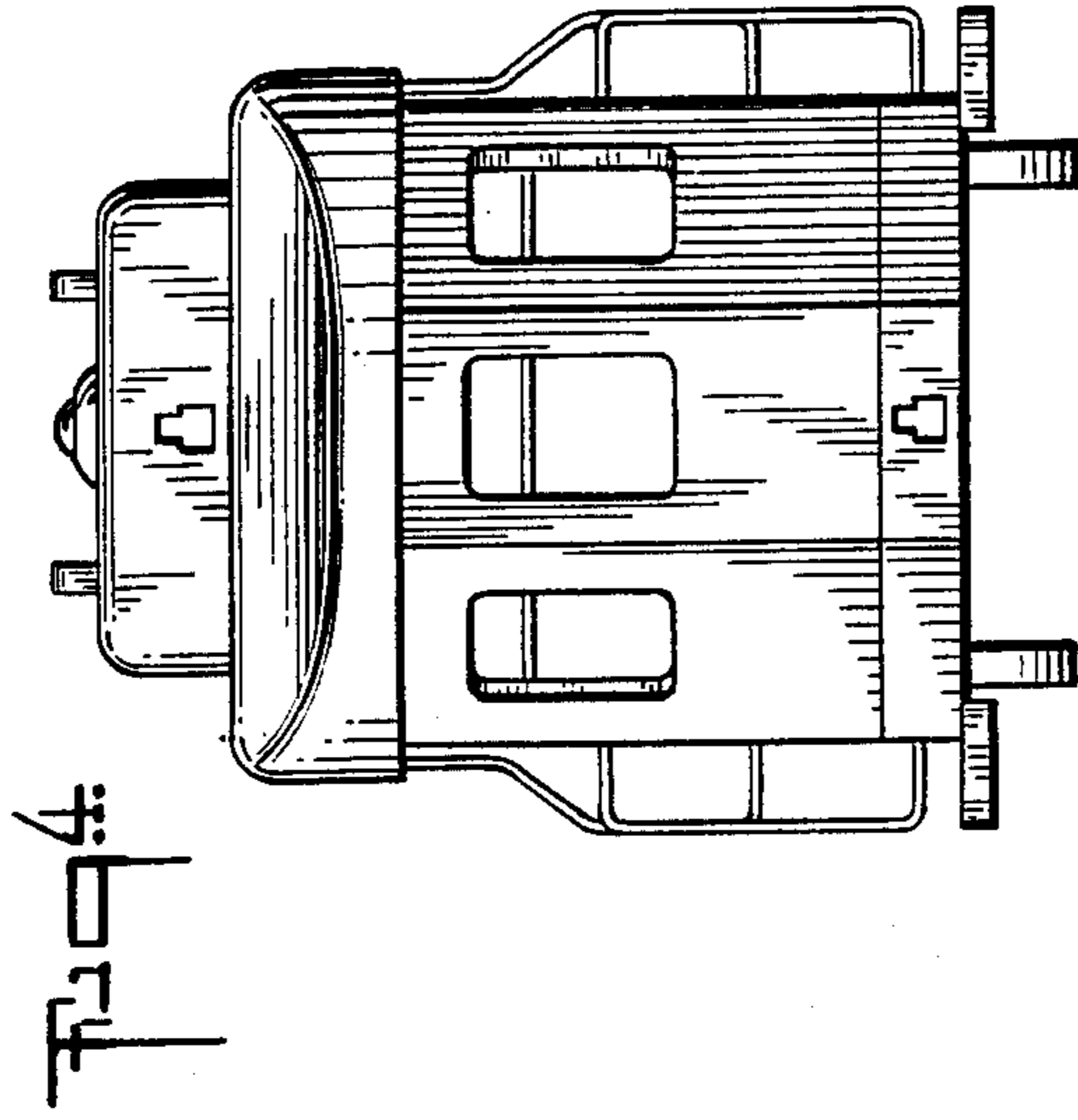


Fig. 6.

