

[54] ELECTRICAL CONNECTOR FOR A  
MERCHANDISE SECURITY SYSTEM

[76] Inventor: Marcia Israel, 7710 Haskell Ave.,  
Van Nuys, Calif. 91406

[\*\*] Term: 14 Years

[21] Appl. No.: 903,067

[22] Filed: Sep. 2, 1986

[52] U.S. Cl. .... D13/24; D13/28

[58] Field of Search ..... D13/11, 12, 18-31,  
D13/40; 439/350, 269, 270, 660, 677, 688, 668,  
682, 641, 661, 662, 679, 92, 404, 925, 775, 465,  
502

[56] References Cited

U.S. PATENT DOCUMENTS

D. 90,118	6/1933	Massey .....	D13/30
D. 248,097	6/1978	Feinbloom et al. ....	D13/24
D. 287,123	12/1986	Ross et al. ....	D13/28
D. 290,352	6/1987	Knickerbocker .....	D13/24
2,027,447	1/1936	Percy .....	D13/28 X
3,167,375	1/1965	Saragen .....	439/465
3,662,319	5/1972	Culver .....	439/502

FOREIGN PATENT DOCUMENTS

1252296	10/1967	Fed. Rep. of Germany .....	439/682
1309344	10/1962	France .....	439/92
0764028	9/1980	U.S.S.R. ....	439/92

Primary Examiner—Bruce W. Dunkins  
Assistant Examiner—Clare E. Heflin  
Attorney, Agent, or Firm—Scherlacher, Mök & Roth

[57] CLAIM

The ornamental design for an electrical connector for a merchandise security system, as shown and described.

DESCRIPTION

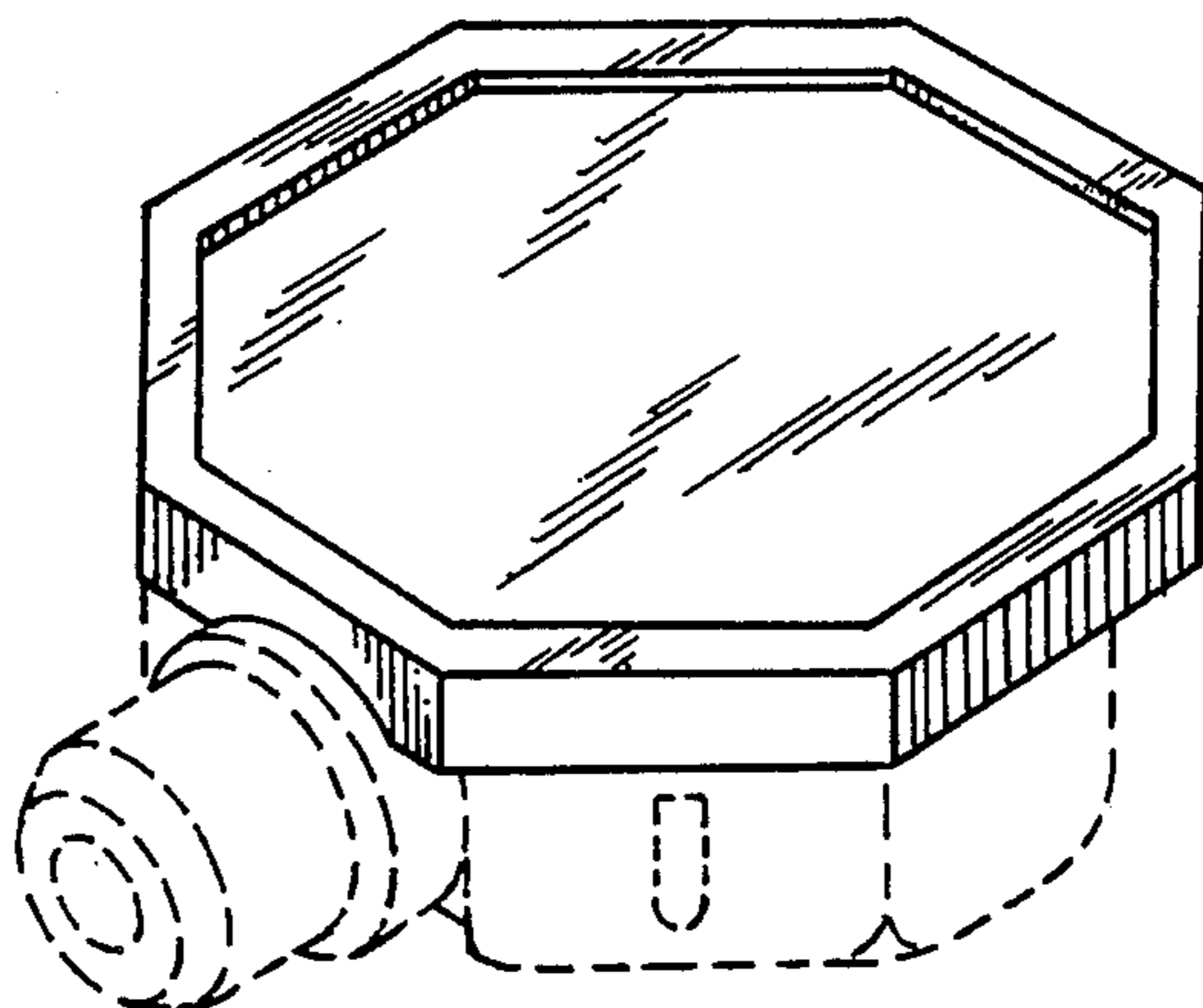
FIG. 1 is a perspective view of an electrical connector for merchandise security system showing my new design;

FIG. 2 is a front elevational view thereof, the rear view being plain and unornamented;

FIG. 3 is a front elevational view thereof; and

FIG. 4 is a side elevational view thereof.

The broken line showing of the connector is for illustrative purposes only and forms no part of the claimed design.



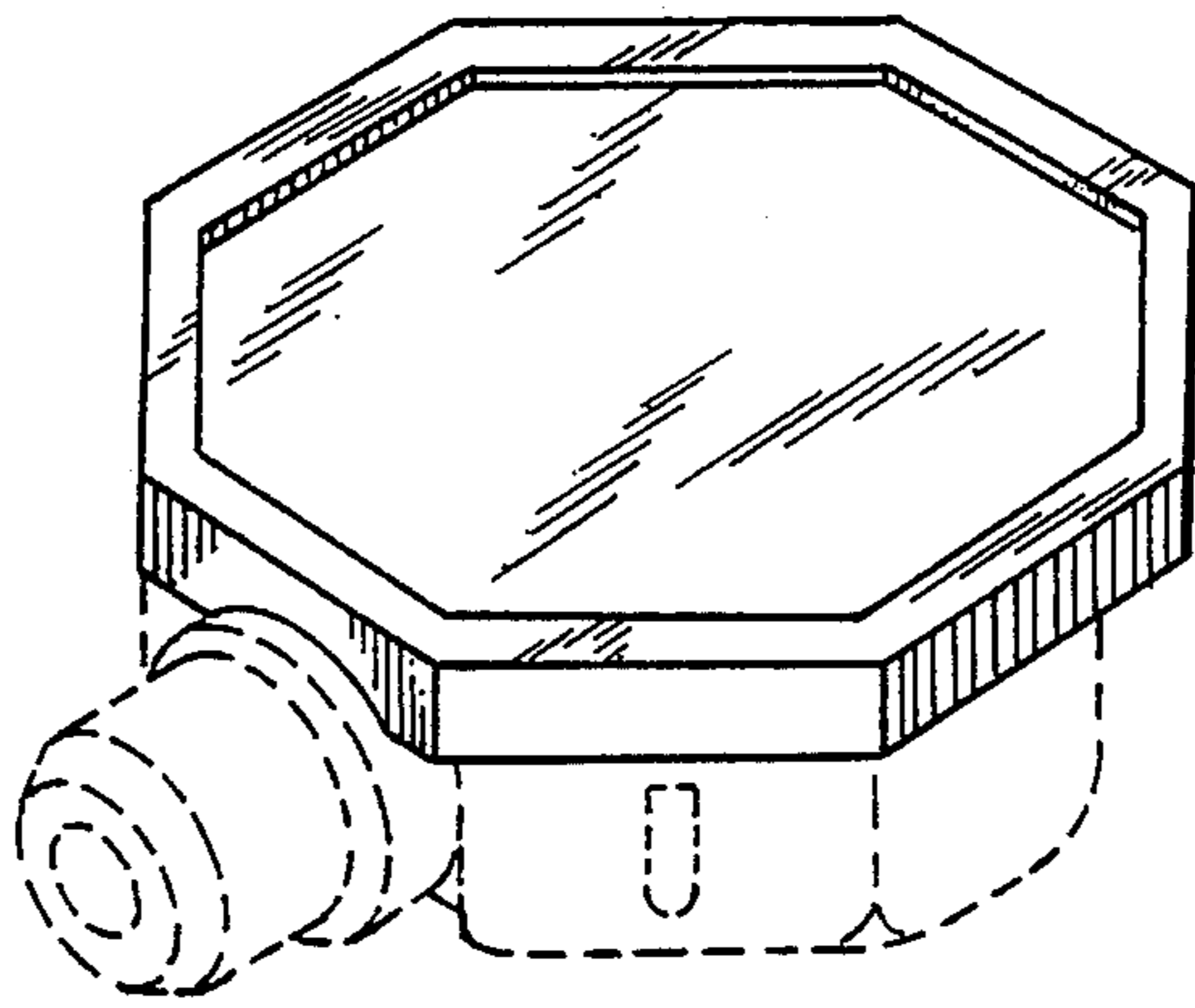


FIG. 1

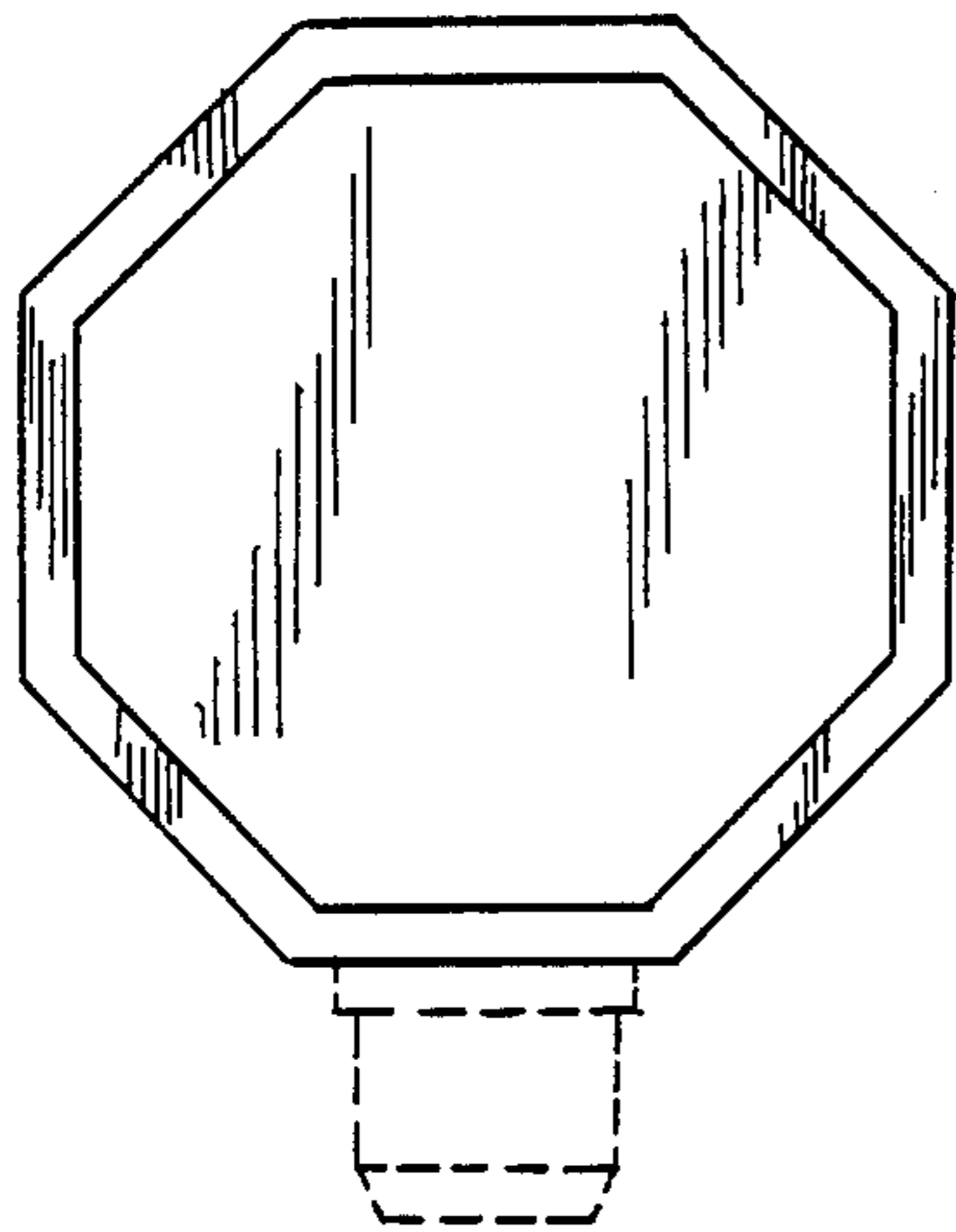


FIG. 2

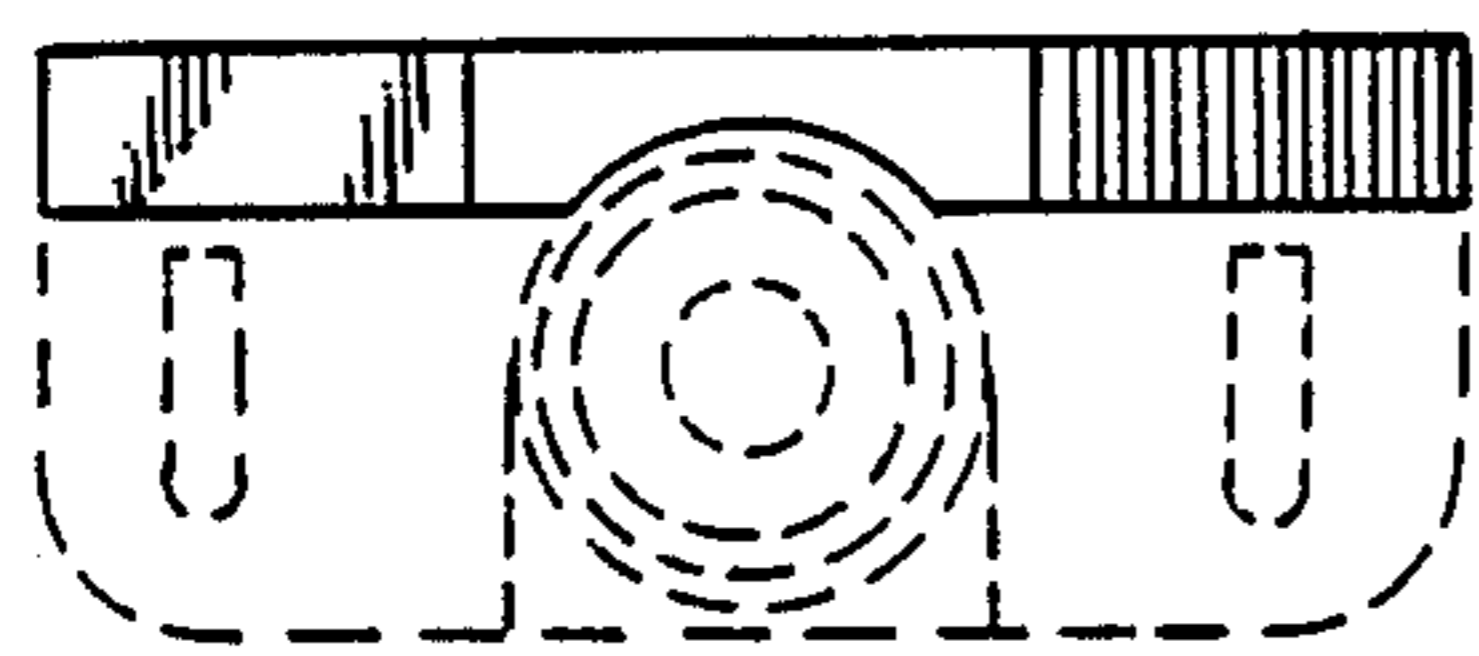


FIG. 3

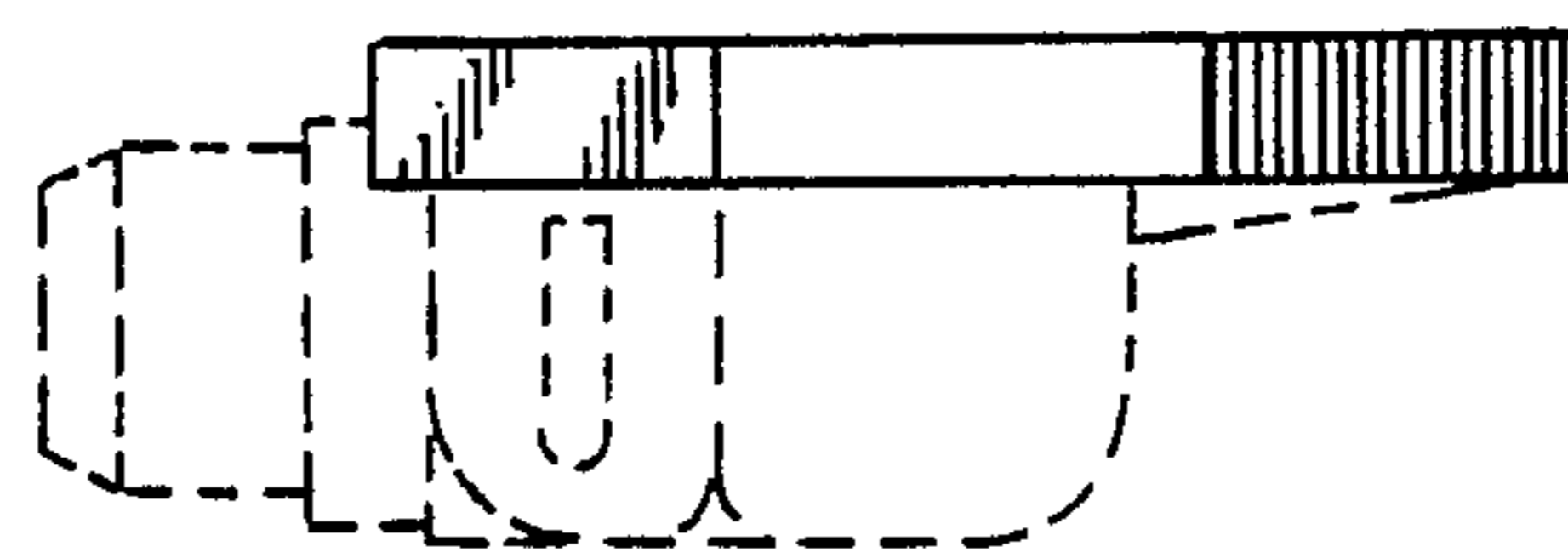


FIG. 4