

[54] MOTORCYCLE TIRE

[75] Inventor: Shigehiko Suzuki, Hyogo, Japan

[73] Assignee: Sumitomo Rubber Industries, Ltd., Hyogo, Japan

[\*\*] Term: 14 Years

[21] Appl. No.: 897,206

[22] Filed: Aug. 18, 1986

[30] Foreign Application Priority Data

Jun. 19, 1986 [JP] Japan ..... 61-23563

[52] U.S. Cl. .... D12/147

[58] Field of Search ..... D12/141-143, D12/145-151; 152/209 R, 209 D, 209 B

[56] References Cited

U.S. PATENT DOCUMENTS

- D. 272,730 2/1984 Osawa et al. .... D12/147
- D. 283,701 5/1986 Ikeda ..... D12/147

- D. 283,810 5/1986 Teramoto ..... D12/147
- D. 293,228 12/1987 Sakaki ..... D12/145

OTHER PUBLICATIONS

Tread Design Guide, p. 239 (1984), Michelin M-48 Street Tire.

Primary Examiner—James M. Gandy  
Attorney, Agent, or Firm—Birch, Stewart, Kolasch & Birch

[57] CLAIM

The ornamental design for a motorcycle tire, as shown and described.

DESCRIPTION

FIG. 1 is a perspective view of a motorcycle tire showing my new design: it being understood that the tread design is repeated uniformly throughout the circumference of the tire and the opposite side is the same as that shown.

FIG. 2 is a front elevational view thereof; and FIG. 3 is a side elevational view thereof.

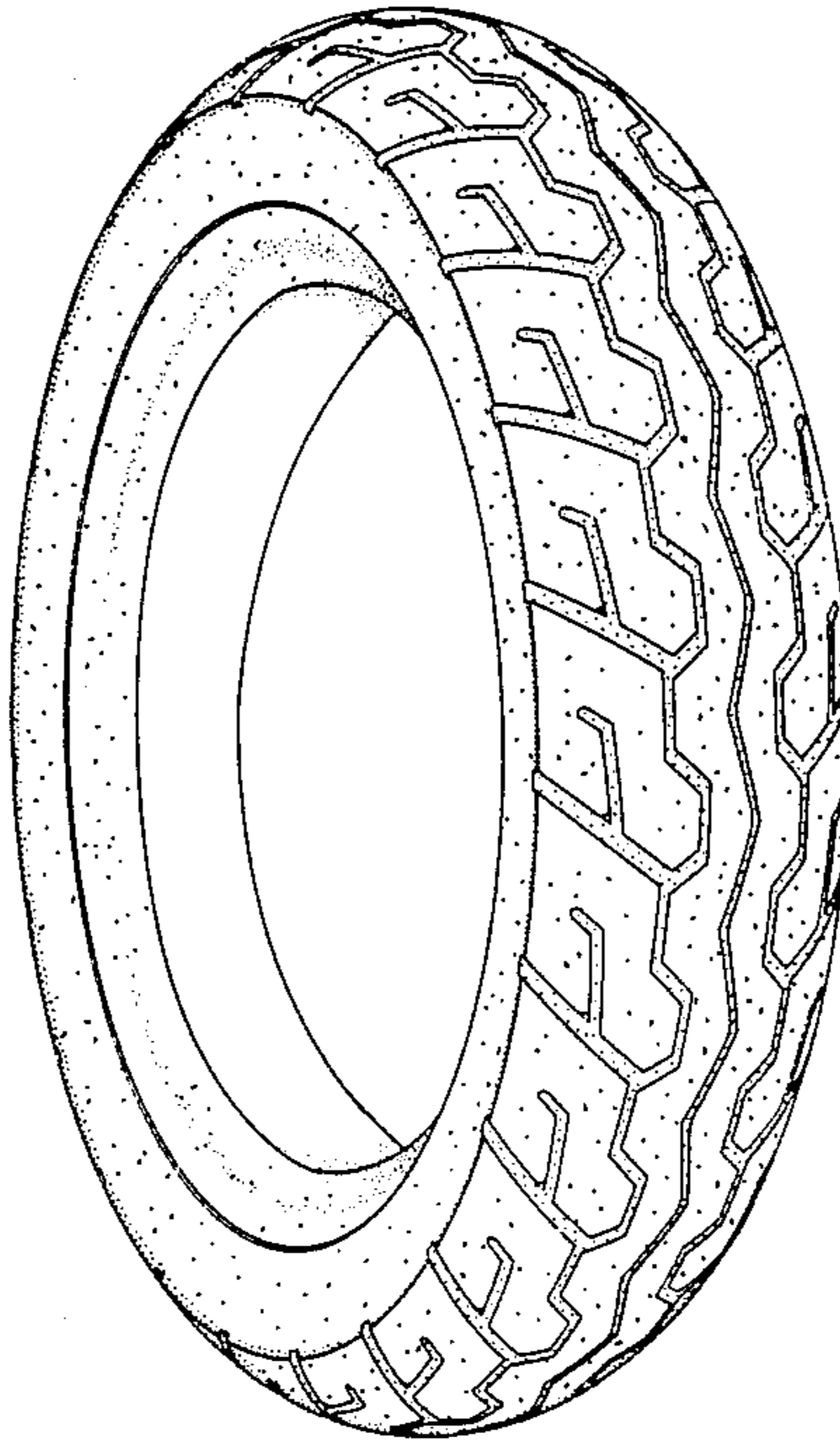


FIG. 1

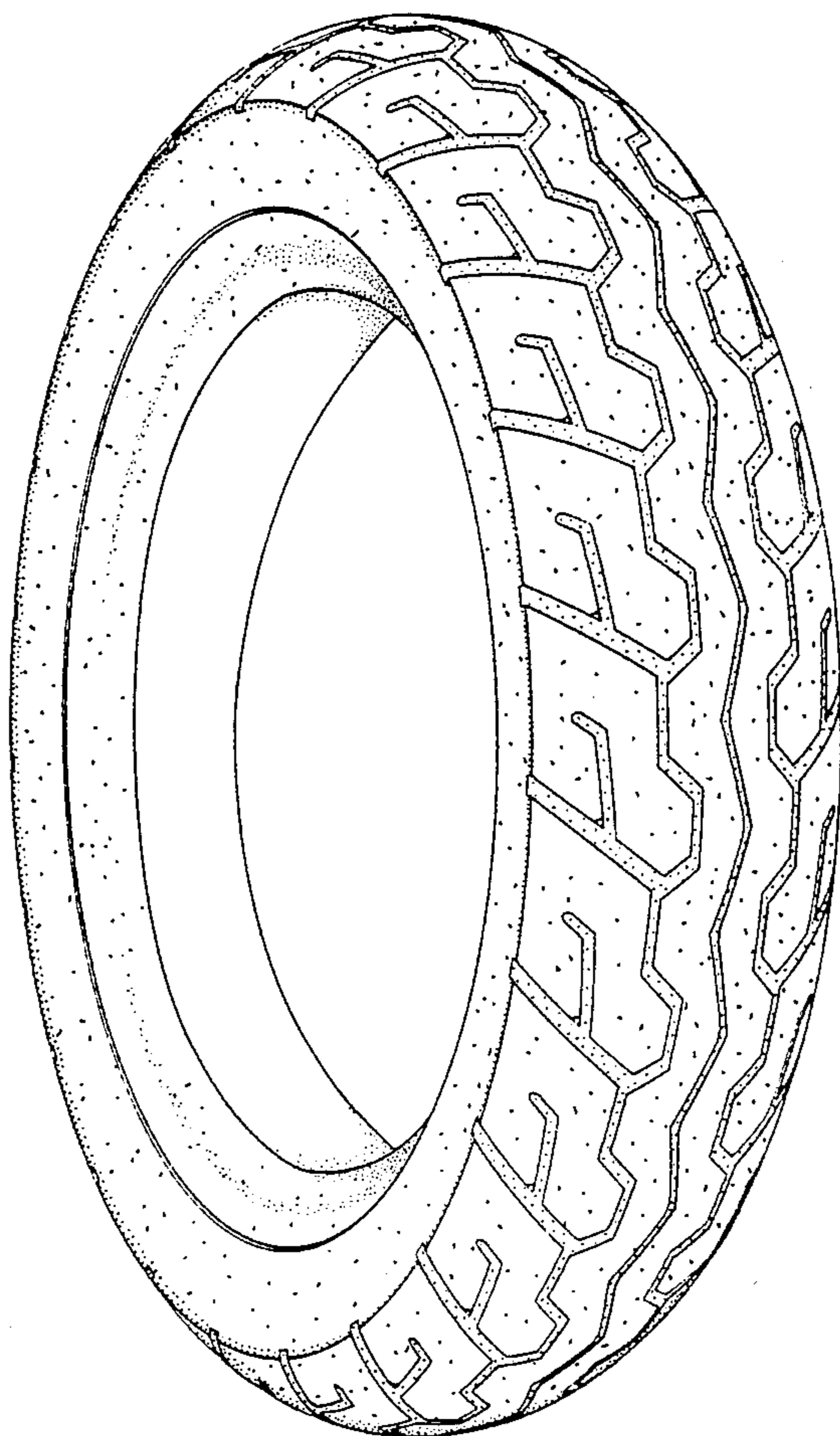


FIG. 2

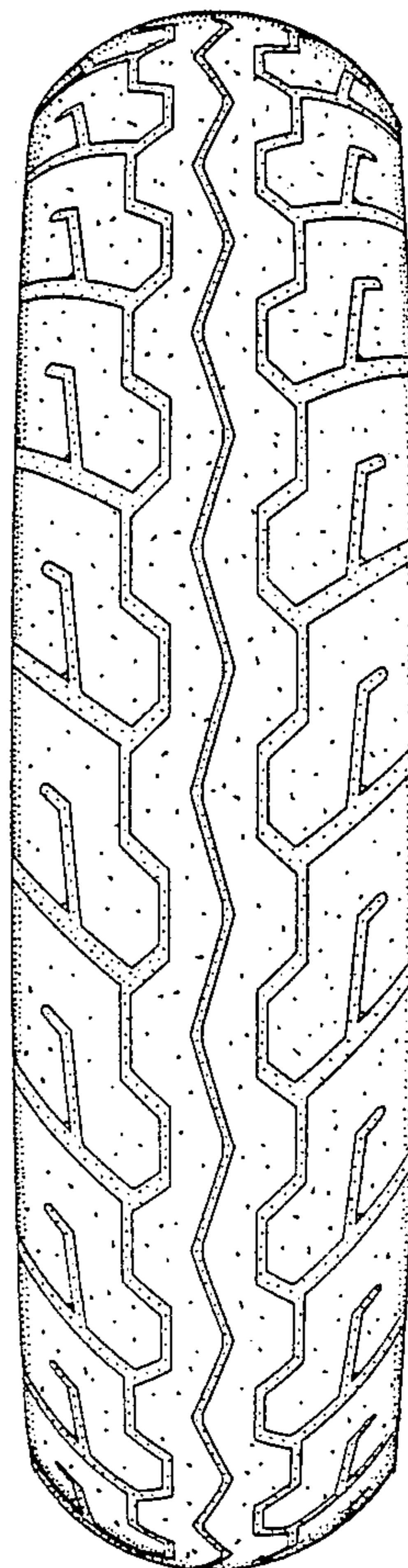


FIG. 3

