

[54] AUTOMOBILE TIRE

[75] Inventor: Yasuo Igarashi, Hyogo, Japan

[73] Assignee: Sumitomo Rubber Industries, Ltd., Hyogo, Japan

[**] Term: 14 Years

[21] Appl. No.: 880,904

[22] Filed: Jul. 1, 1986

[30] Foreign Application Priority Data

Mar. 19, 1986 [JP] Japan 61-10198

[52] U.S. Cl. D12/147

[58] Field of Search D12/136, 140, 146-151; 152/209 R, 209 D, 209 B

[56] References Cited

U.S. PATENT DOCUMENTS

D. 277,562 2/1985 Kawajiri et al. D12/149

OTHER PUBLICATIONS

1985 Tread Design Guide, p. 124, Michelin XCTS Tire, bottom center of page.

Primary Examiner—James M. Gandy
Attorney, Agent, or Firm—Birch, Stewart, Kolasch & Birch

[57] CLAIM

The ornamental design for an automobile tire, as shown and described.

DESCRIPTION

FIG. 1 is a perspective view of an automobile tire showing my new design it being understood that the tread design is repeated uniformly throughout the circumference of the tire and the opposite side is the same as that shown.

FIG. 2 is a front elevational view thereof; and FIG. 3 is a side elevational view thereof.

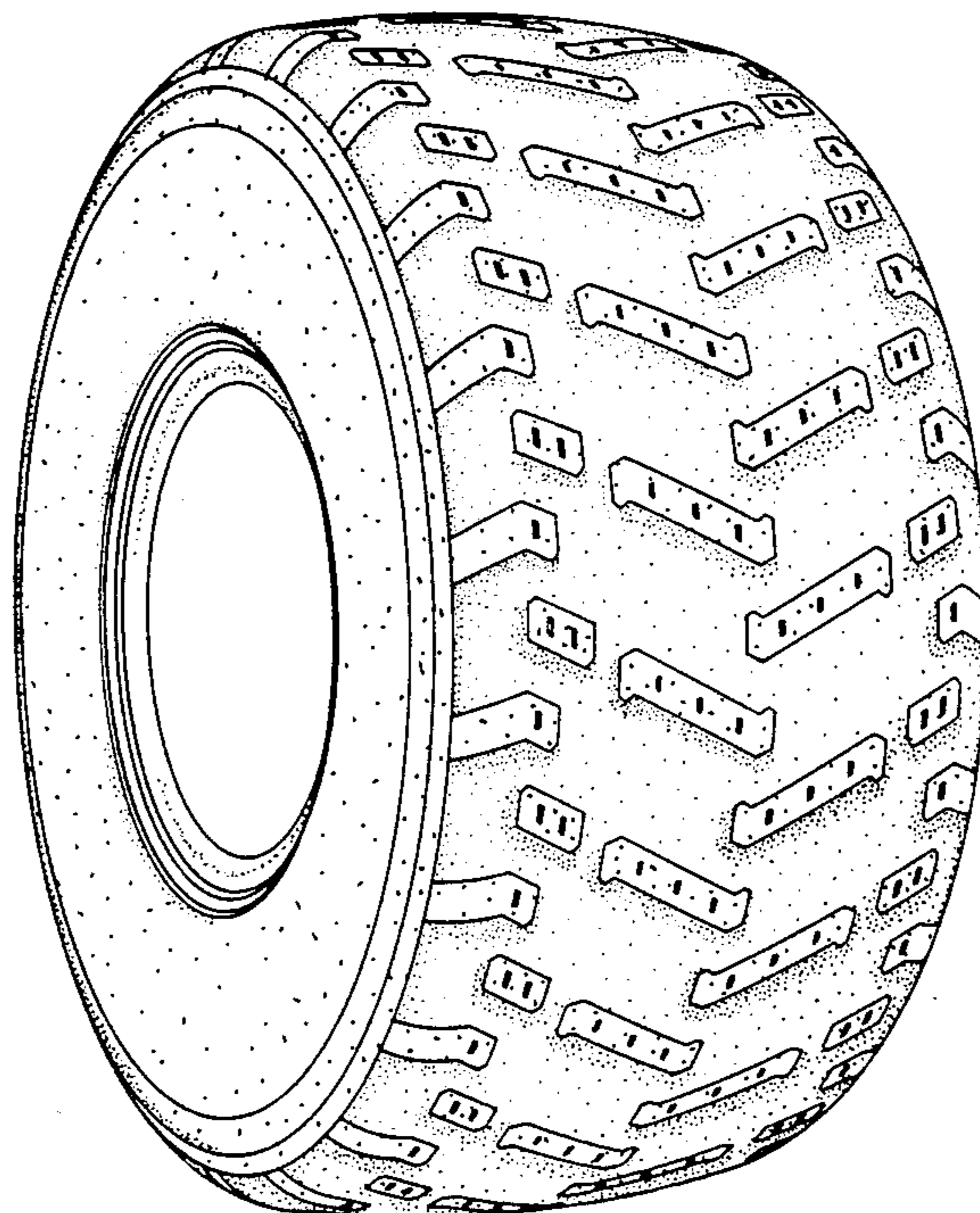


FIG. 1

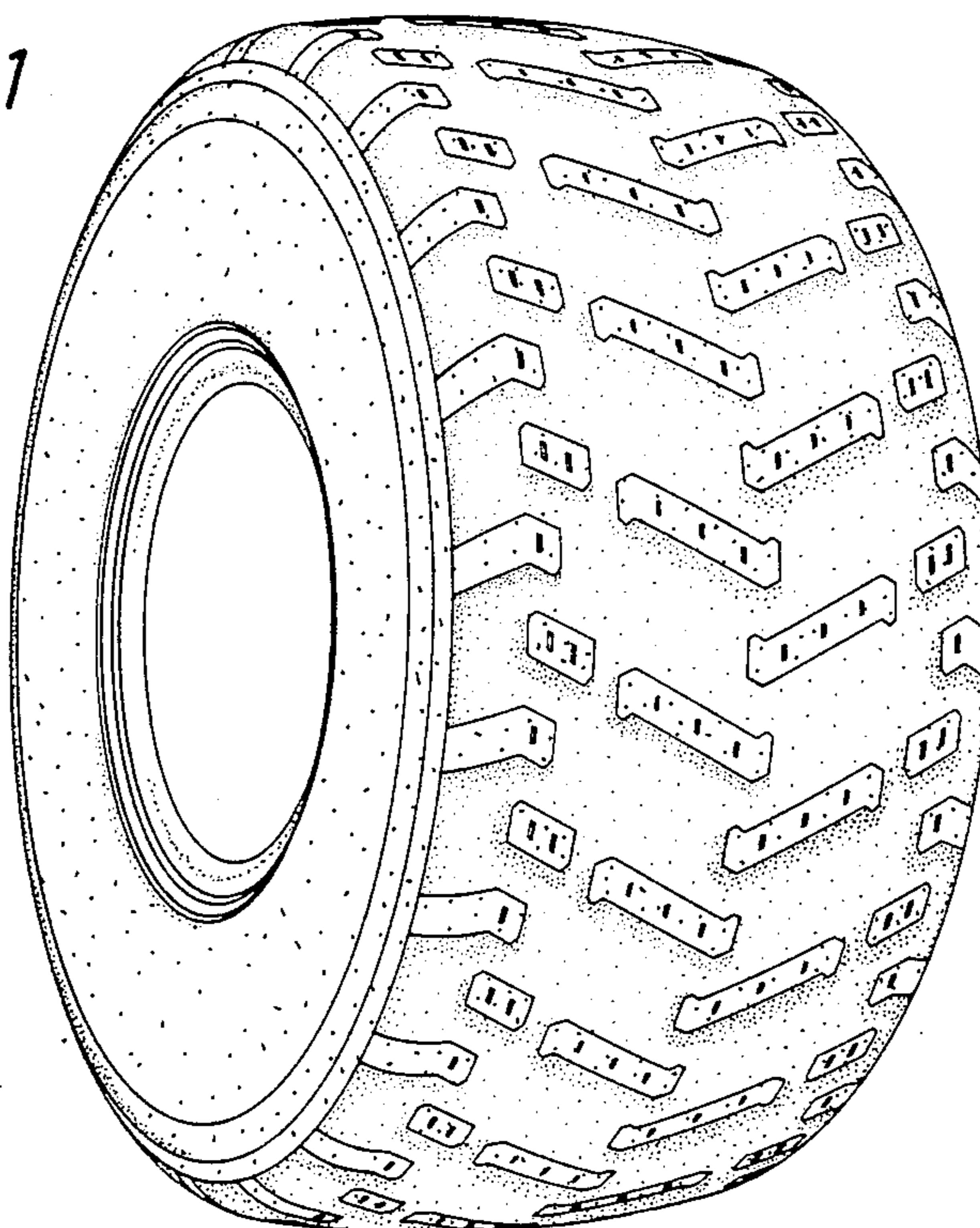


FIG. 2

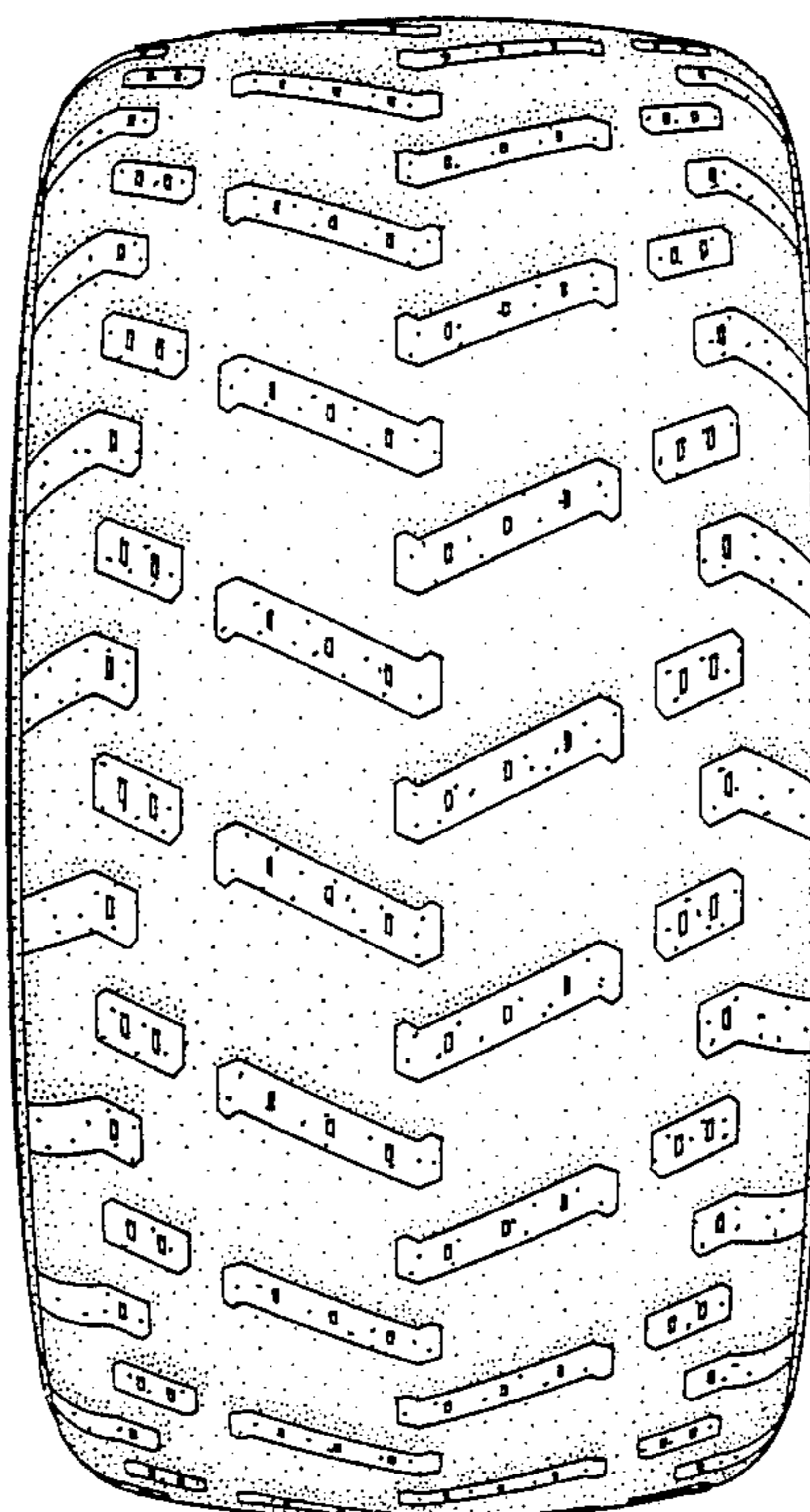


FIG. 3

