

[54] CYCLE PEDAL

[75] Inventor: William H. Ropp, Centerville, Ohio

[73] Assignee: Huffy Corporation, Miamisburg, Ohio

[\*\*] Term: 14 Years

[21] Appl. No.: 5,530

[22] Filed: Jan. 16, 1987

[52] U.S. Cl. .... D12/125

[58] Field of Search ..... D12/125; 74/594.4

[56] References Cited

U.S. PATENT DOCUMENTS

- D. 214,116 5/1969 Greenlee ..... D12/125
- D. 214,117 5/1969 Greenlee ..... D12/125
- 955,957 4/1910 Francis ..... 74/594.4

FOREIGN PATENT DOCUMENTS

- 103579 2/1924 Switzerland ..... 74/594.4
- 228807 12/1943 Switzerland ..... 74/594.4

Primary Examiner—James M. Gandy  
Attorney, Agent, or Firm—Biebel, French & Nauman

[57] CLAIM

The ornamental design for a cycle pedal, as shown and described.

DESCRIPTION

FIG. 1 is a perspective view of a cycle pedal;  
 FIG. 2 is a side elevational view thereof;  
 FIG. 3 is a top plan view thereof, the bottom being a mirror image of that shown;  
 FIG. 4 is an end elevational view thereof;  
 FIG. 5 is an end elevational view thereof of an end opposite that shown in FIG. 4; and  
 FIG. 6 is a cross-sectional view thereof taken on line 6—6 of FIG. 3.

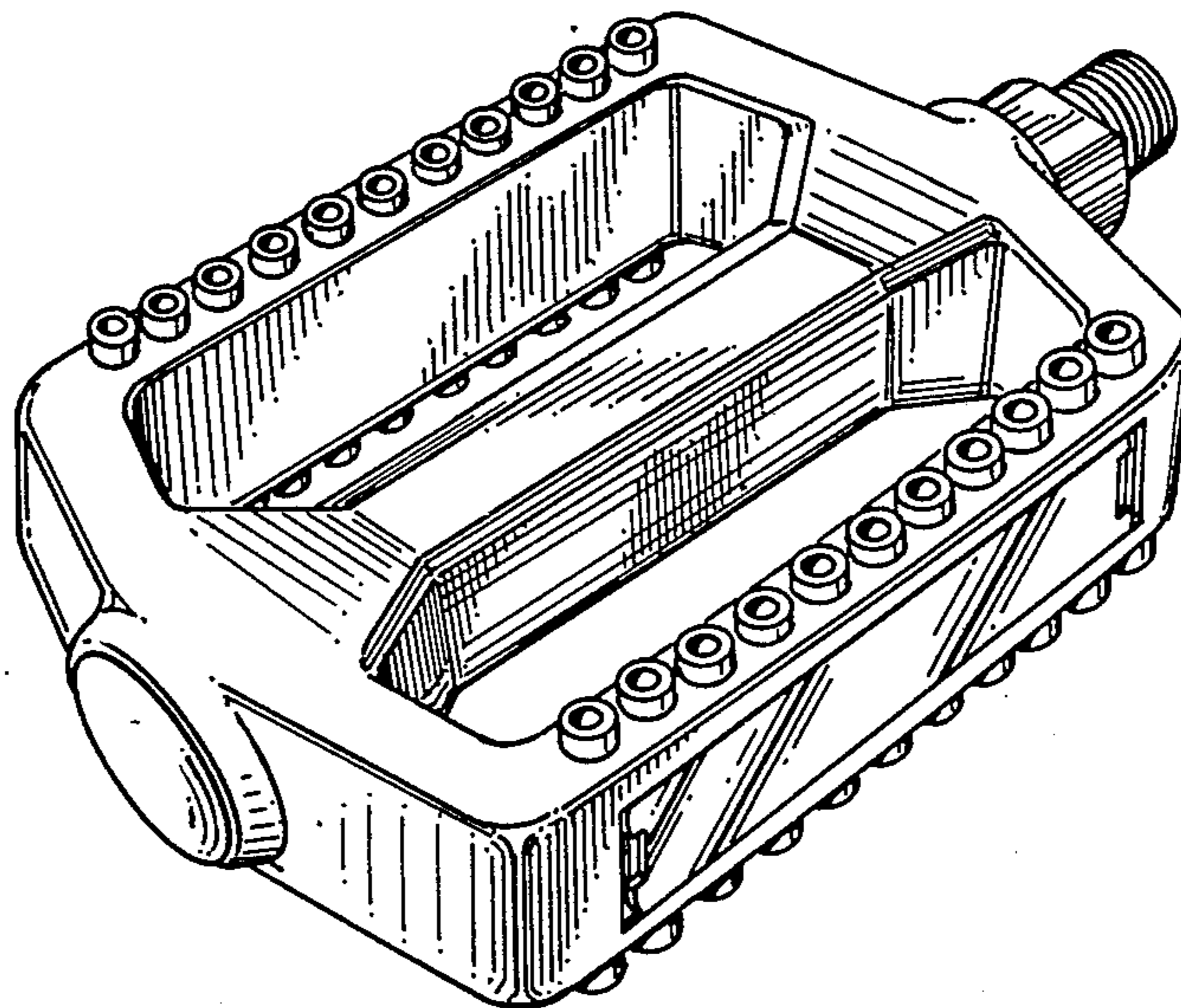


FIG-1

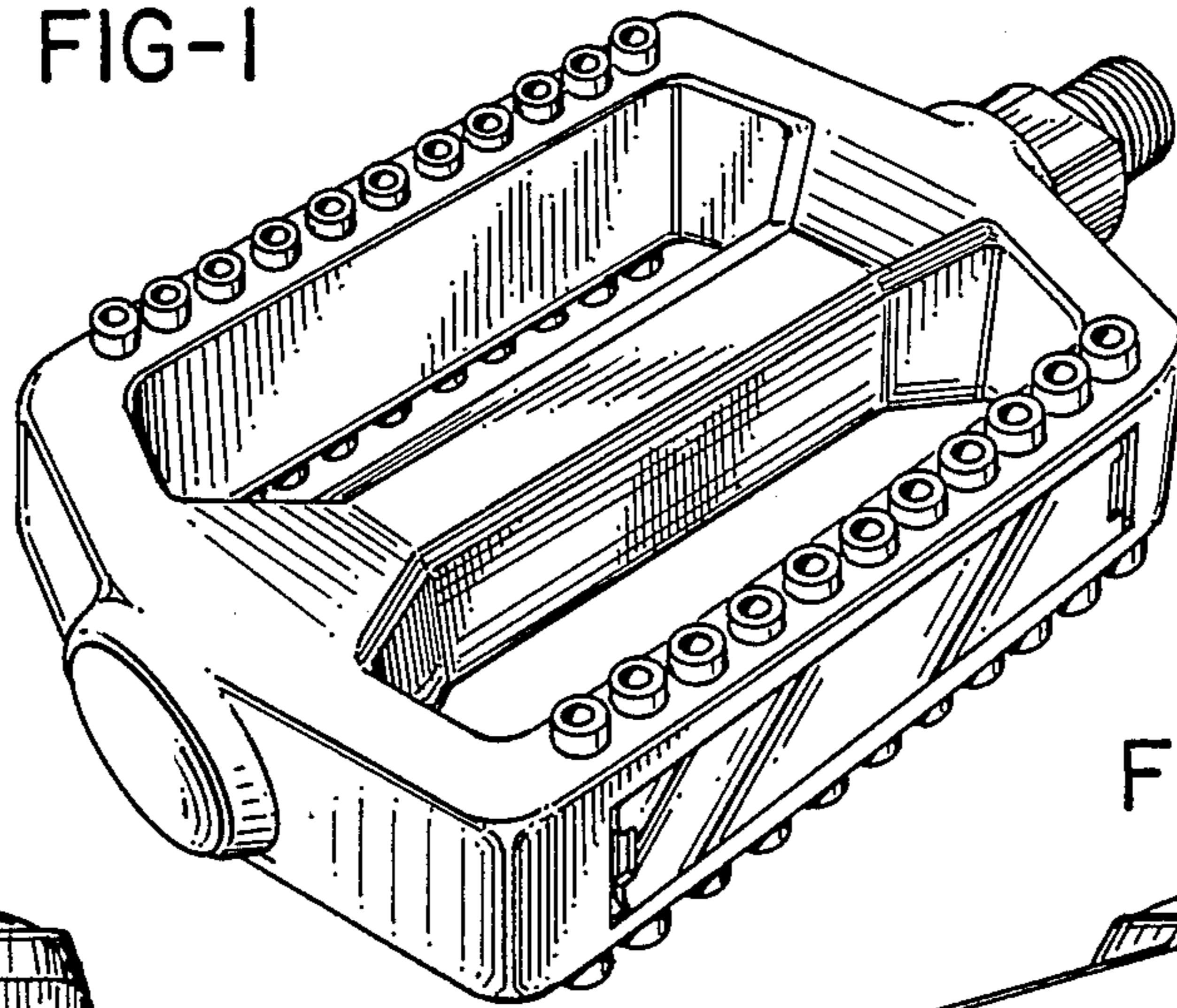


FIG-2

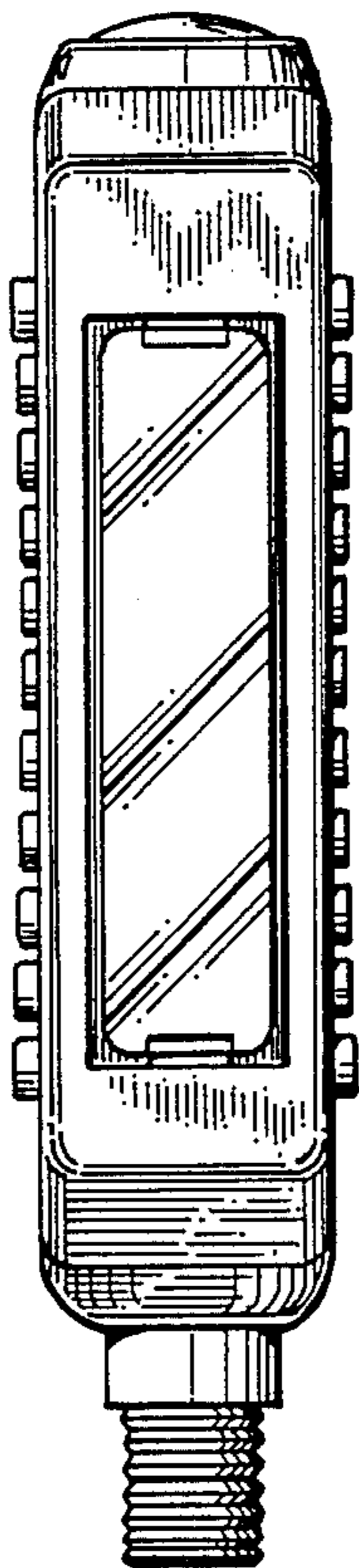


FIG-3

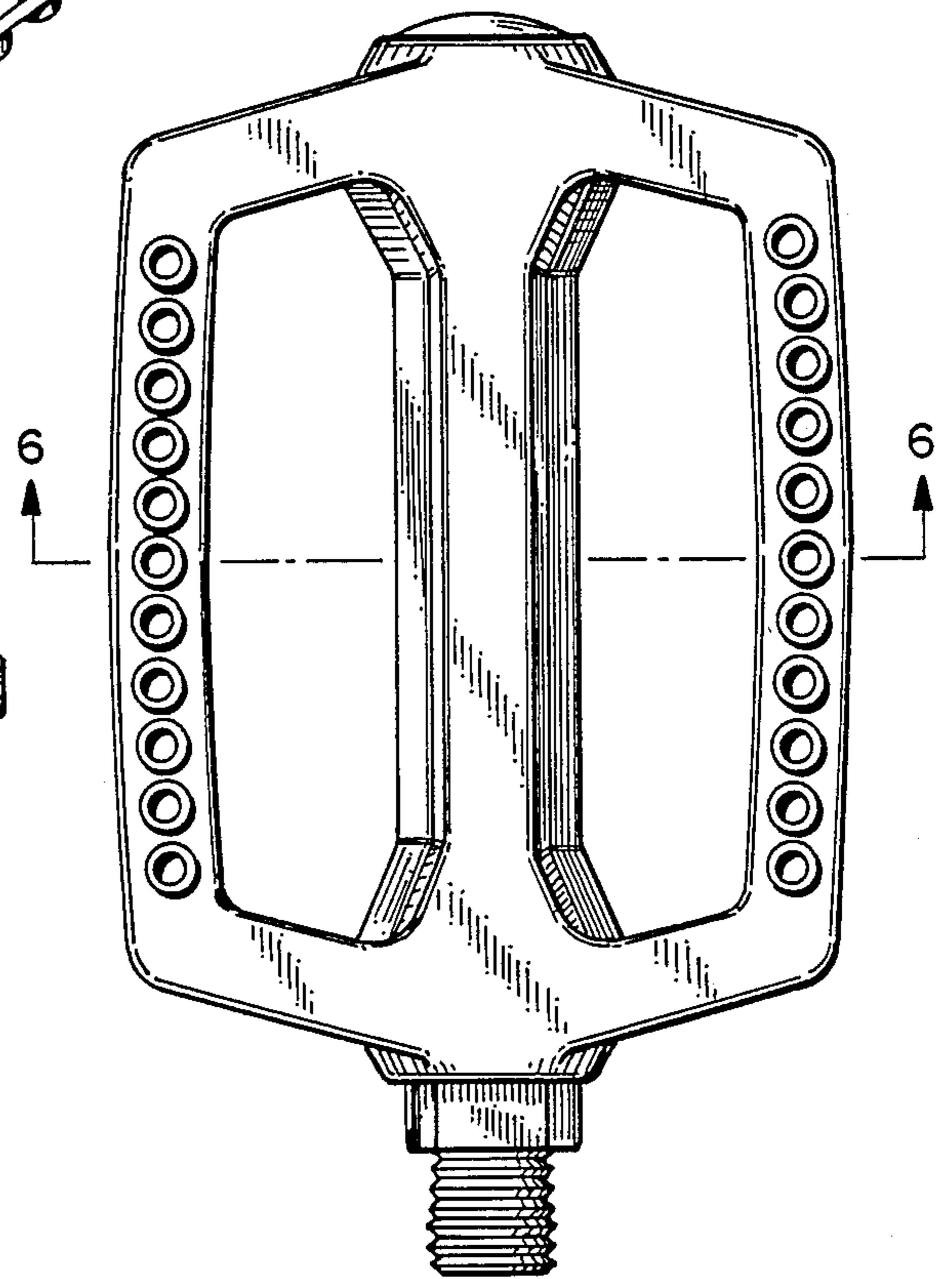


FIG-6

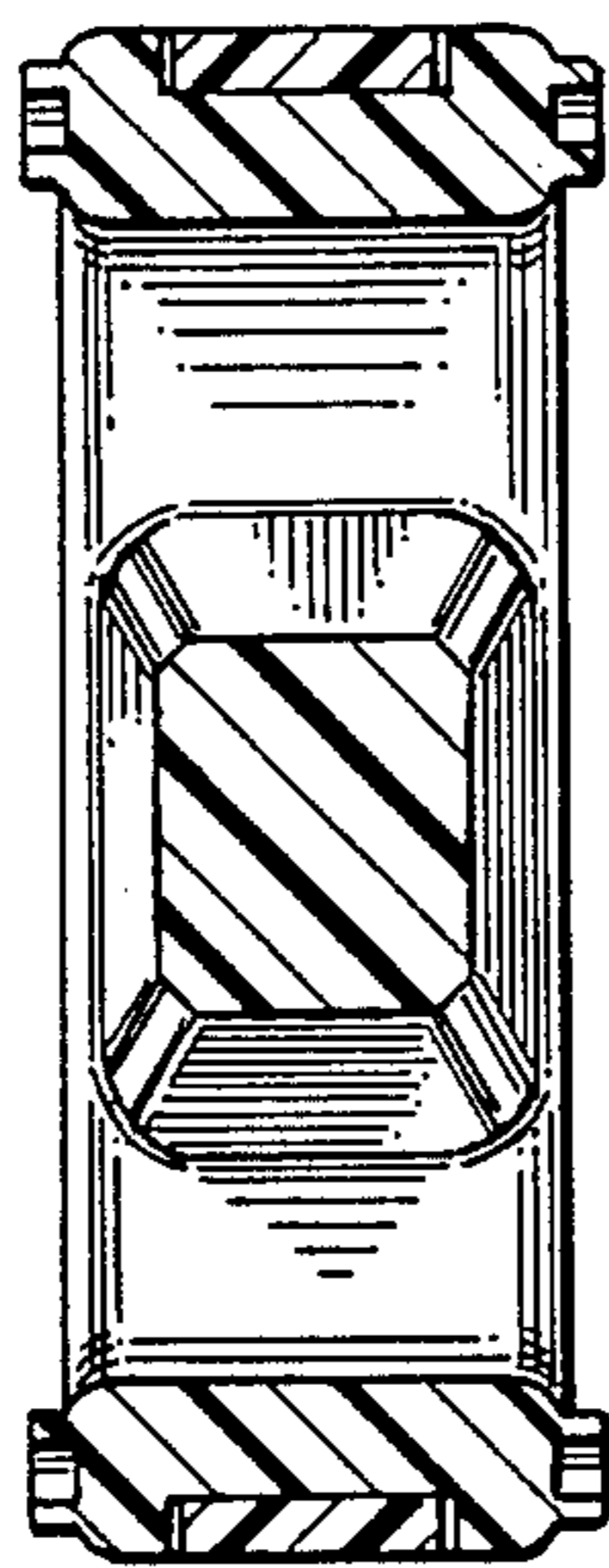


FIG-4

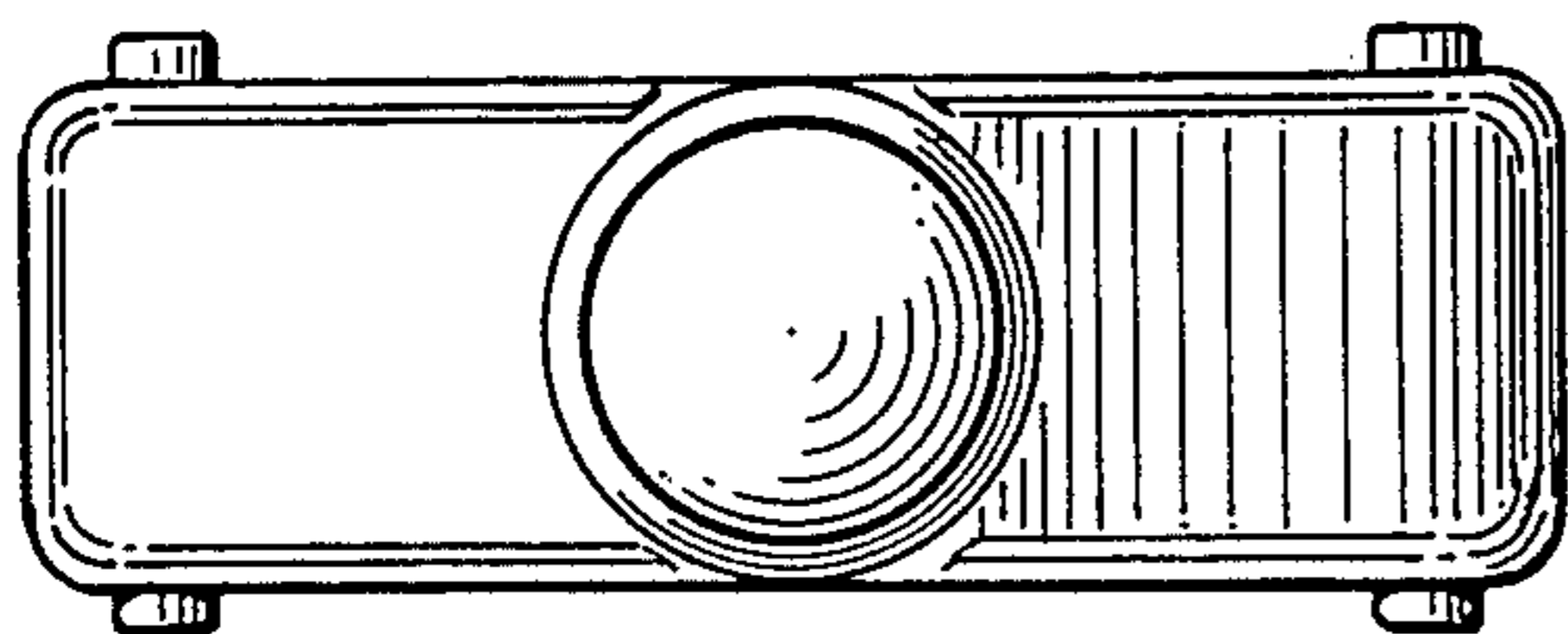


FIG-5

