

[54] MEDALLION

[76] Inventor: **Hubert Palm**, Linzgaublick 2, 7750
Konstanz 19 - Wallhausen, Fed. Rep.
of Germany

[**] Term: 14 Years

[21] Appl. No.: 178,286

[22] Filed: Apr. 6, 1988

[52] U.S. Cl. D11/96; D11/76

[58] Field of Search D11/2, 40-48,
D11/61, 70, 75, 76, 79-81, 86, 93, 95, 96, 116;
63/1.1, 2, 12-14.8, 18-21, 23

[56]

References Cited

U.S. PATENT DOCUMENTS

D. 25,500 5/1896 Throop D11/96
D. 134,985 2/1943 Madan D11/95

Primary Examiner—Louis S. Zarfes
Attorney, Agent, or Firm—Henry M. Feiereisen

[57]

CLAIM

The ornamental design for a medallion, as shown and described.

DESCRIPTION

FIG. 1 is a front elevational view of a medallion showing a first embodiment of my new design;
FIG. 2 is a rear elevational view thereof;
FIG. 3 is a side elevational view thereof;
FIG. 4 is a front elevational view of a medallion showing a second embodiment of my new design;
FIG. 5 is a rear elevational view thereof;
FIG. 6 is a side elevational view thereof.

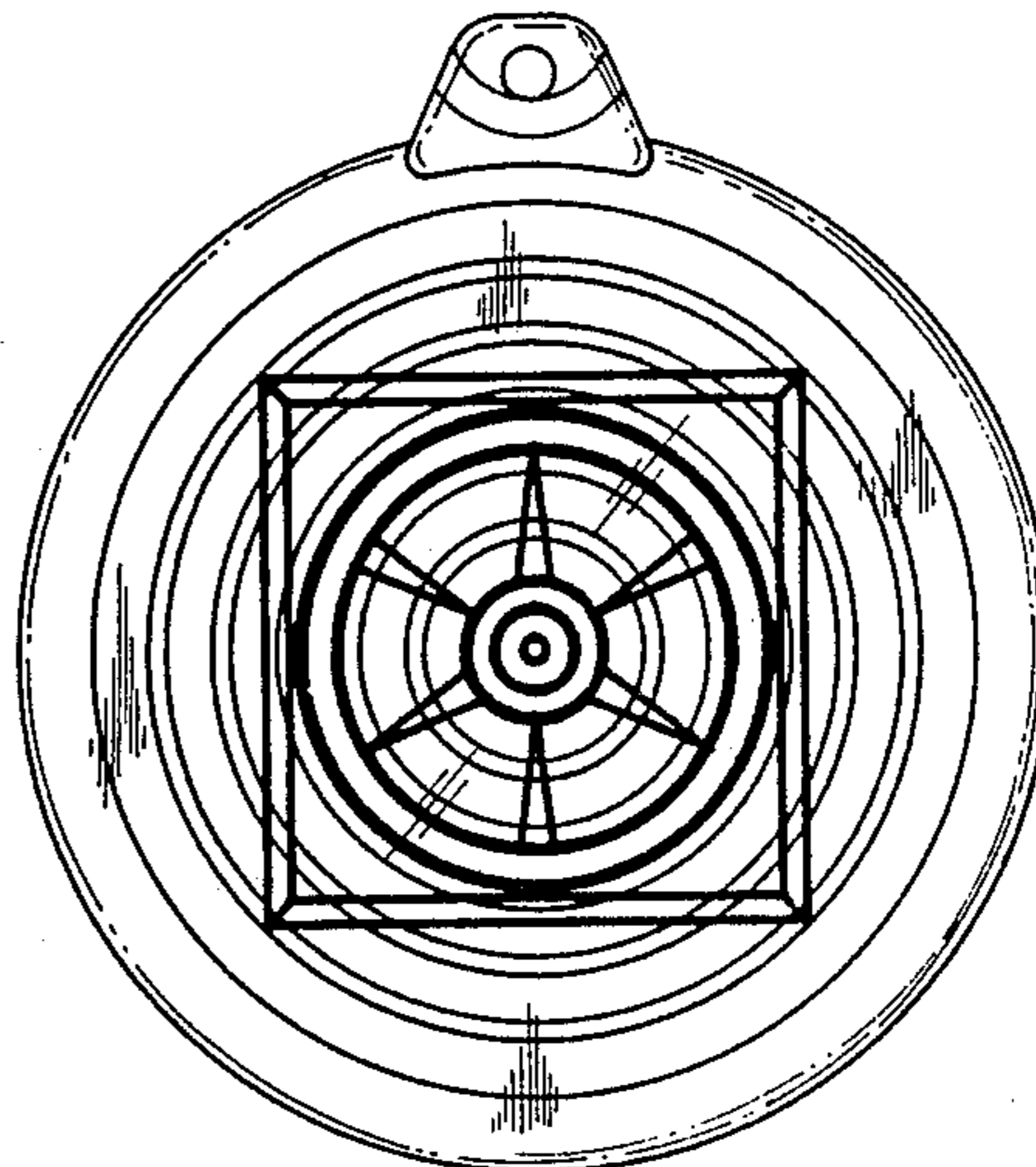
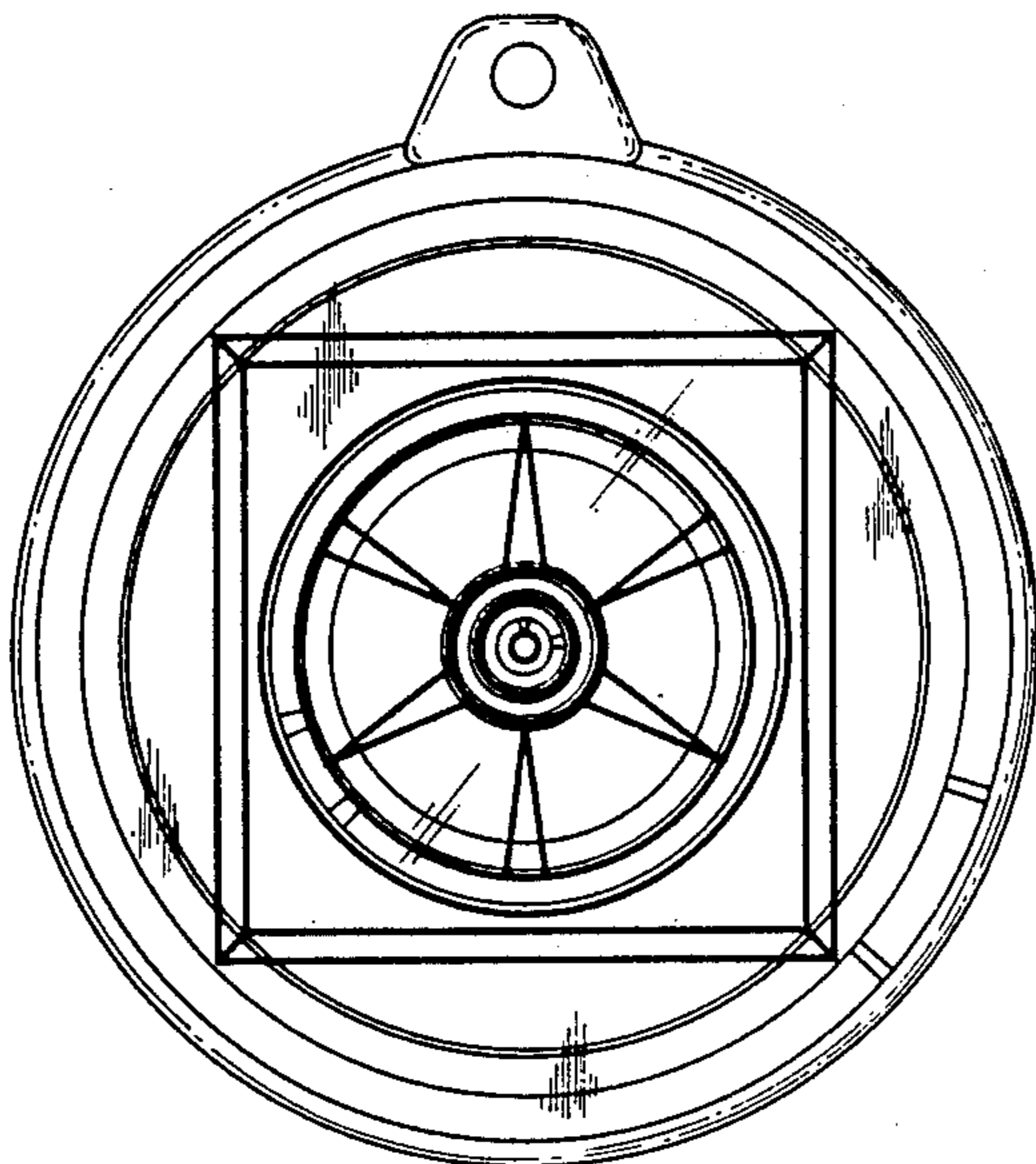


FIG. 1

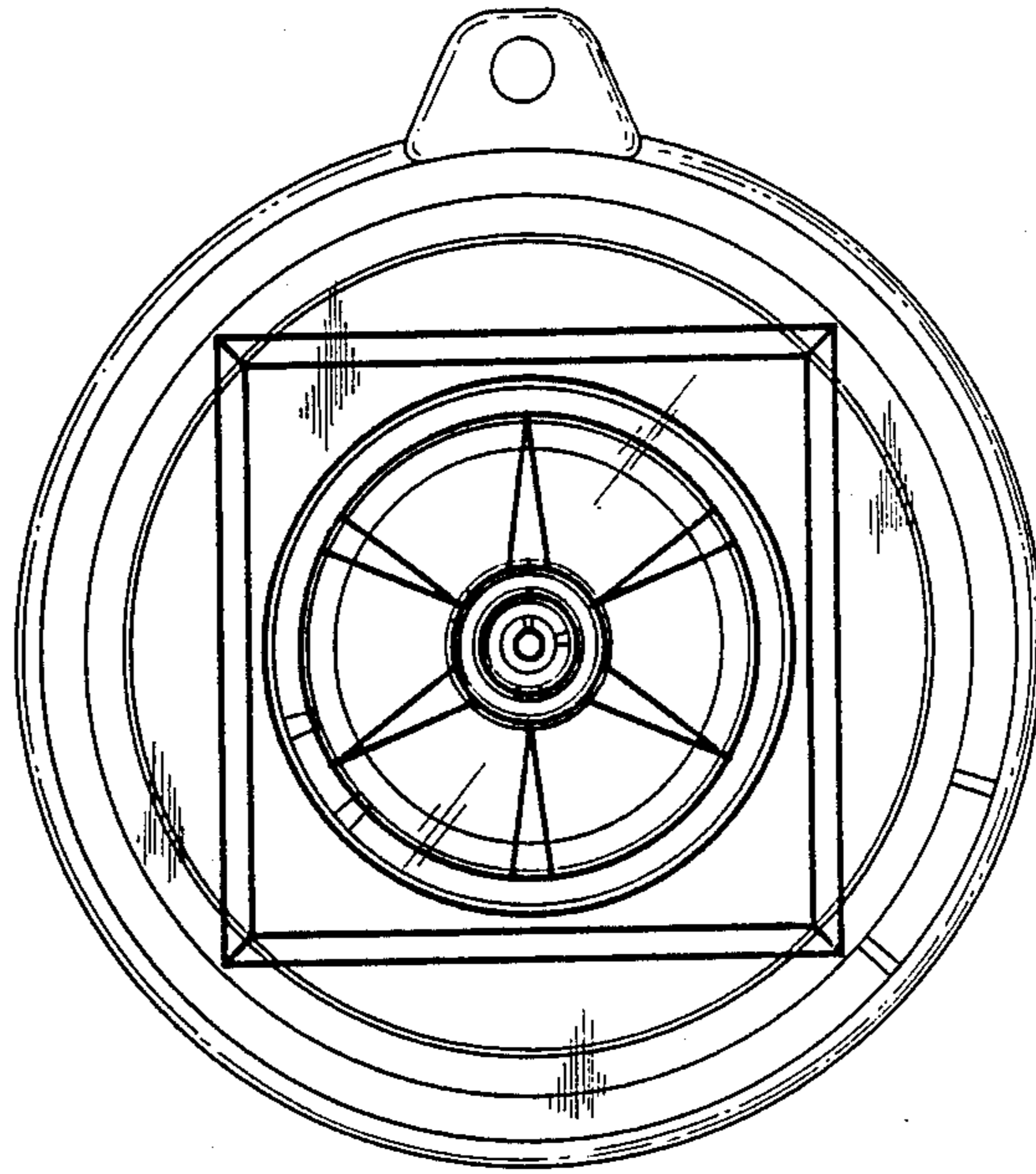


FIG. 2

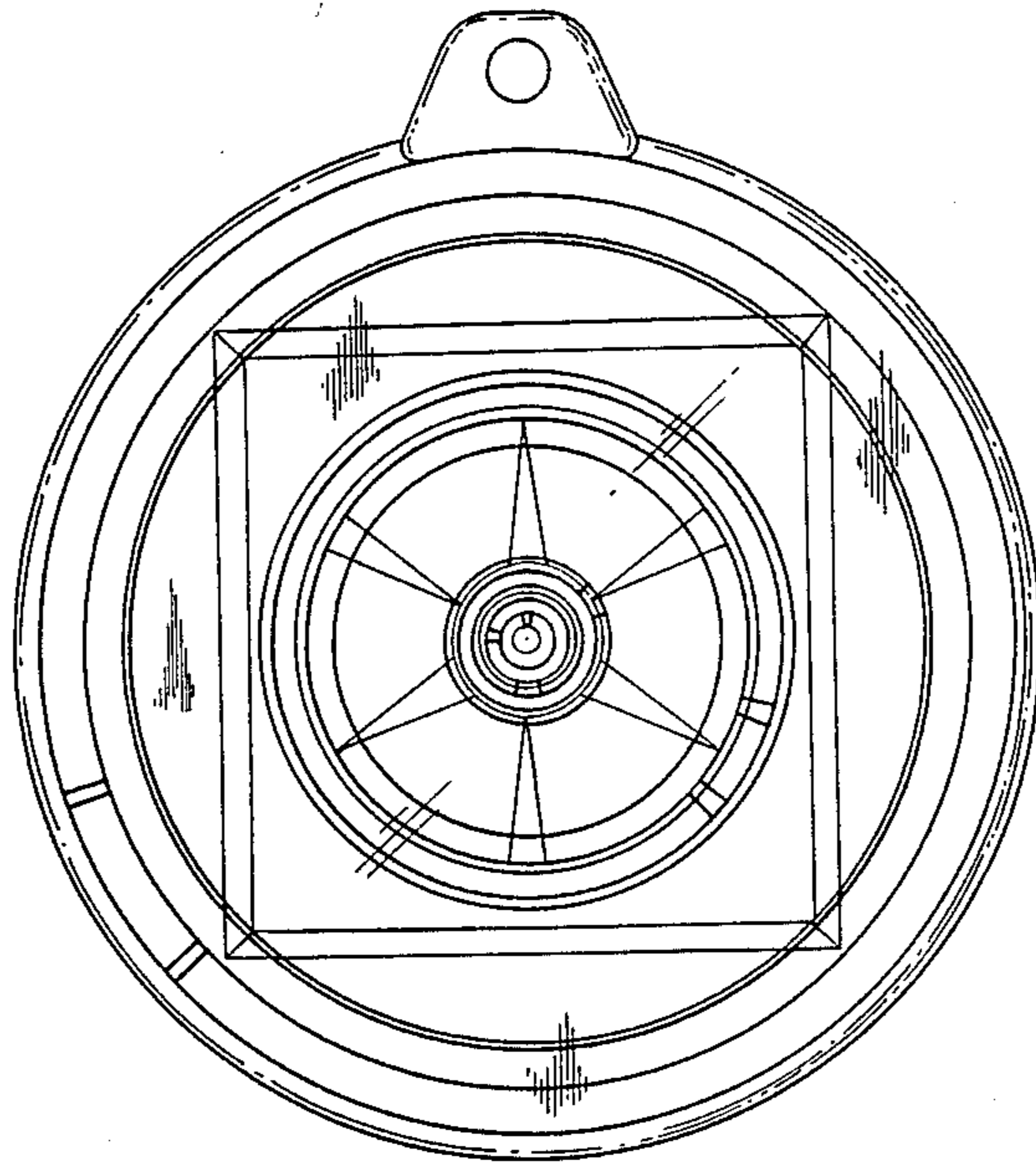


FIG. 3

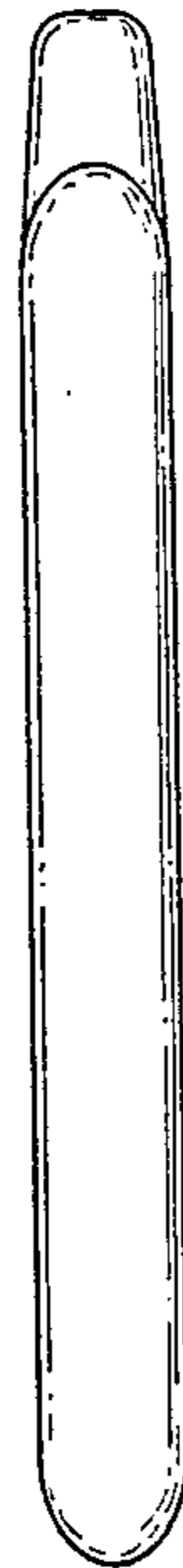


FIG. 4

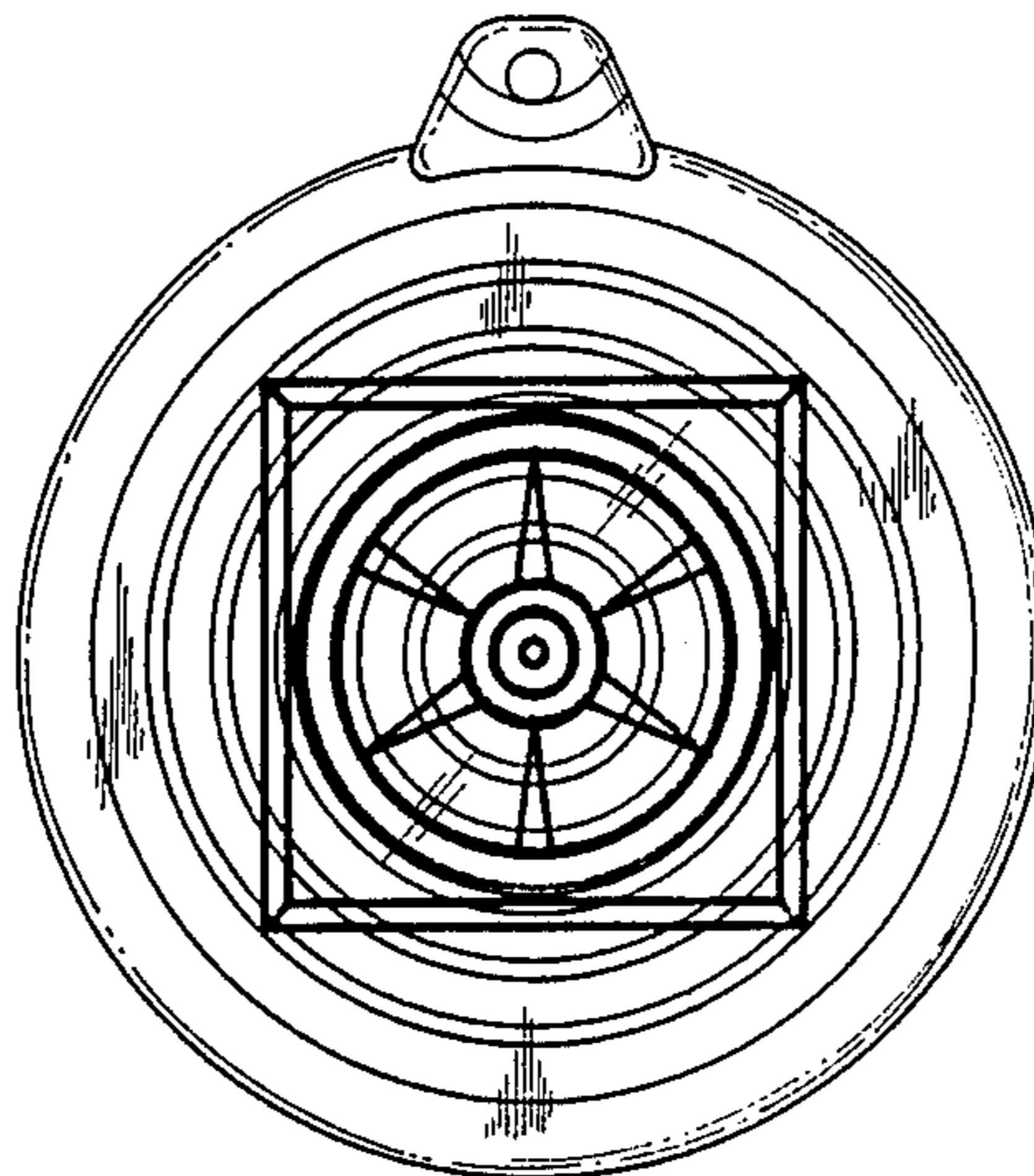


FIG. 5

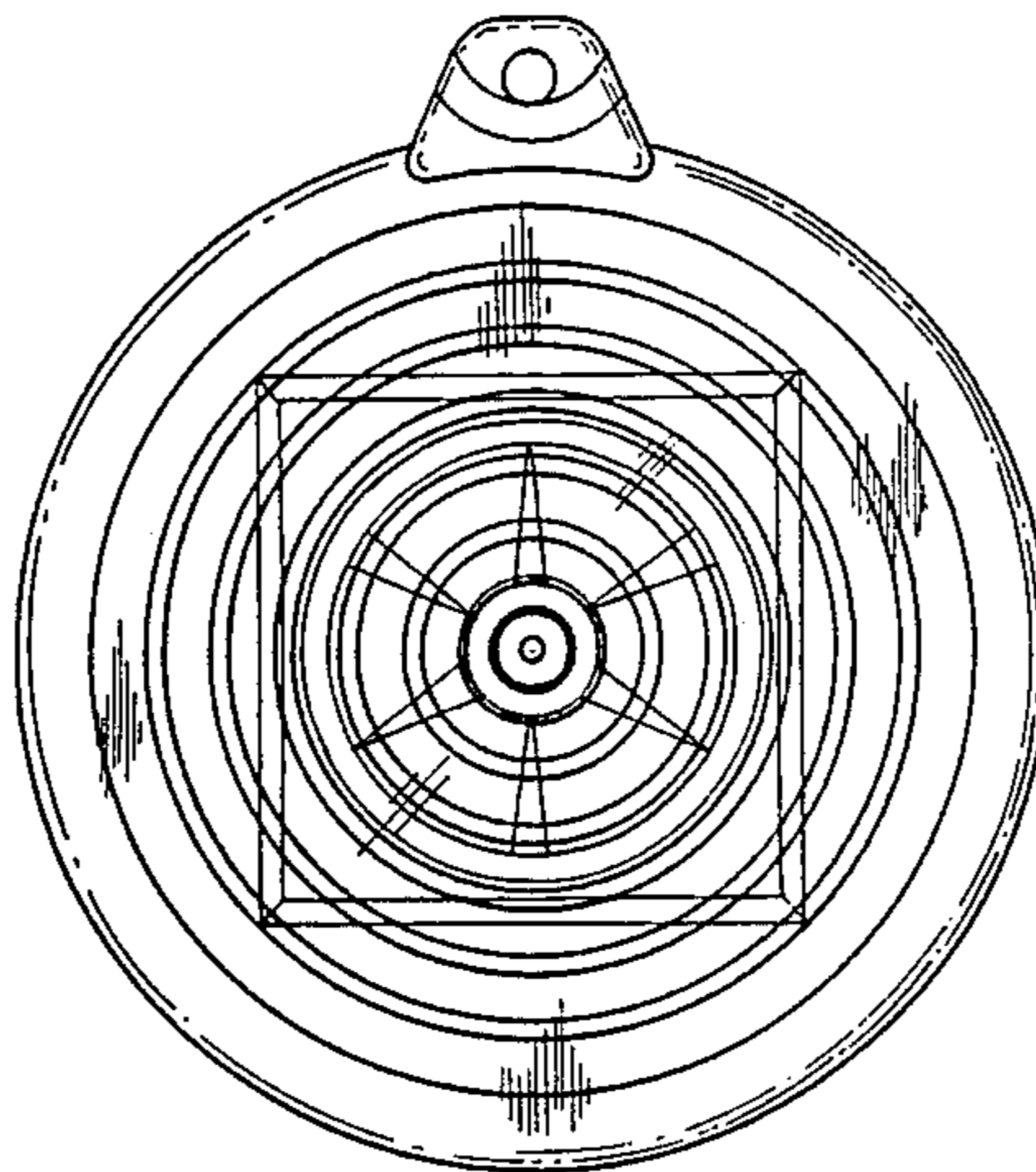


FIG. 6

