

[54] **ADJUSTABLE HOLDER FOR WATER SKIING SAFETY FLAG**

[76] Inventor: Gary F. Morris, 2169 St. Mary's Dr., Salt Lake City, Utah 84108

[**] Term: 14 Years

[21] Appl. No.: 964

[22] Filed: Jan. 5, 1987

[52] U.S. Cl. D10/121; D10/109

[58] Field of Search D10/109, 113, 114, 121; 248/282, 283; 116/51, 173, 26, 35 R, 46 R, 28 R, 132 R

3,376,007 4/1968 Chesterley 248/282
 3,786,778 1/1974 Palmer et al. 116/313

Primary Examiner—Susan J. Lucas
 Attorney, Agent, or Firm—Richard F. Bojanowski

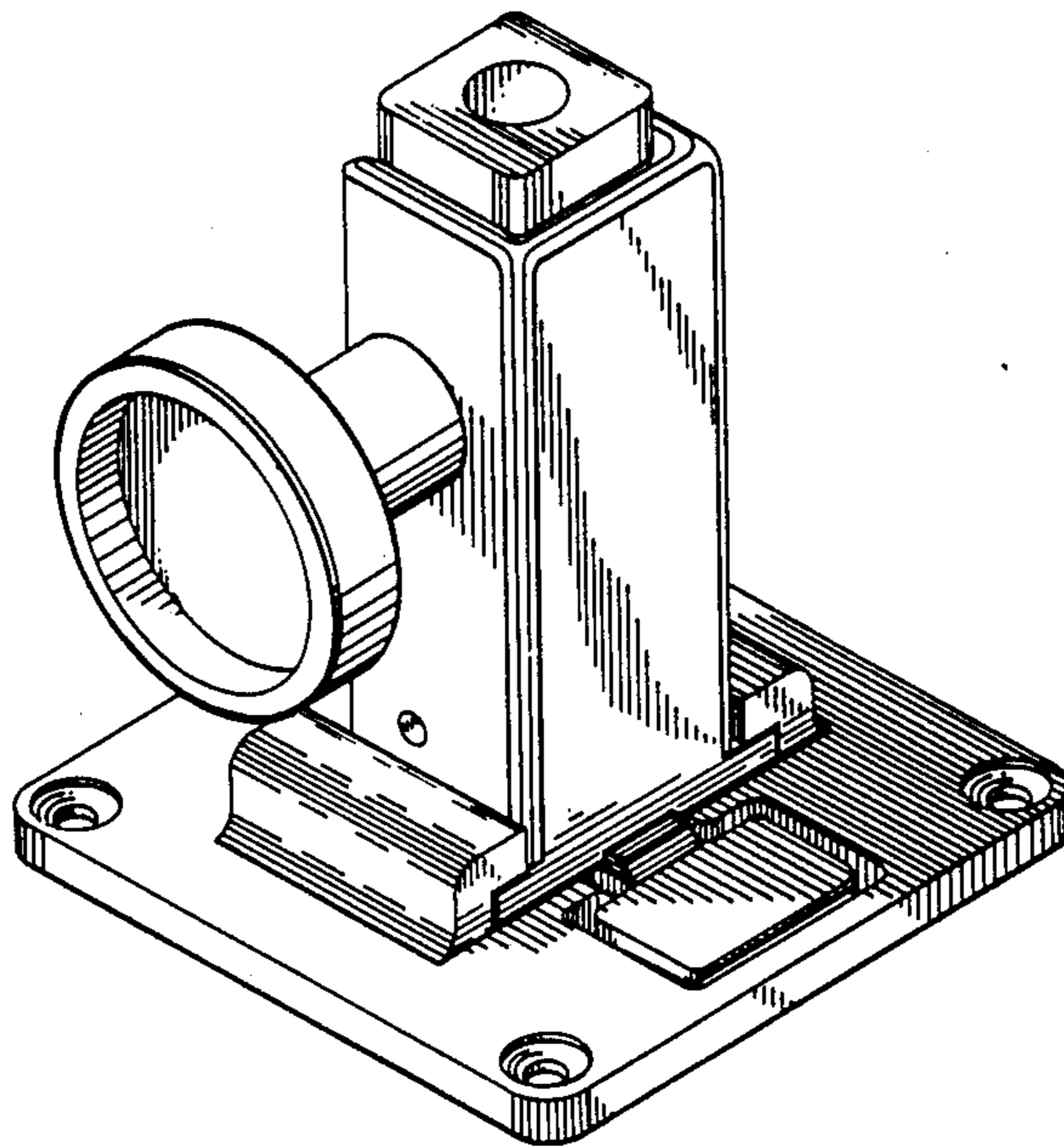
[57] CLAIM

The ornamental design for adjustable holder for water skiing safety flag, as shown and described.

DESCRIPTION

FIG. 1 is a top, front perspective view of an adjustable holder for water skiing safety flag showing my new design;
 FIG. 2 is a top plan view thereof;
 FIG. 3 is a right side elevational view thereof;
 FIG. 4 is a bottom plan view thereof;
 FIG. 5 is a rear elevational view thereof;
 FIG. 6 is a left side elevational view thereof;
 FIG. 7 is a front elevational view thereof.

[56] **References Cited**
U.S. PATENT DOCUMENTS
 D. 239,514 4/1976 Montgomery D10/109
 D. 255,226 6/1980 Daniels D10/109



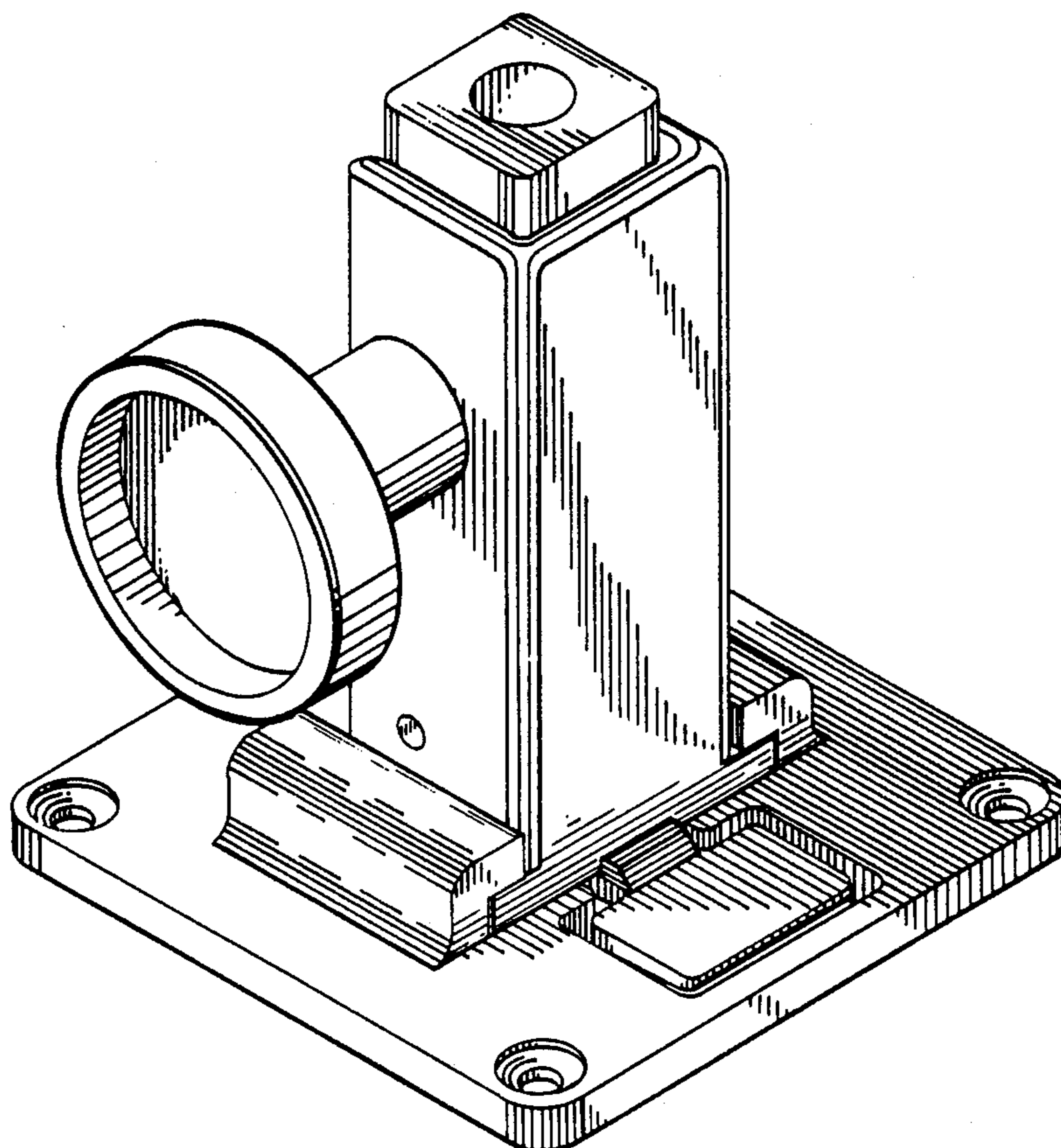


FIG - 1

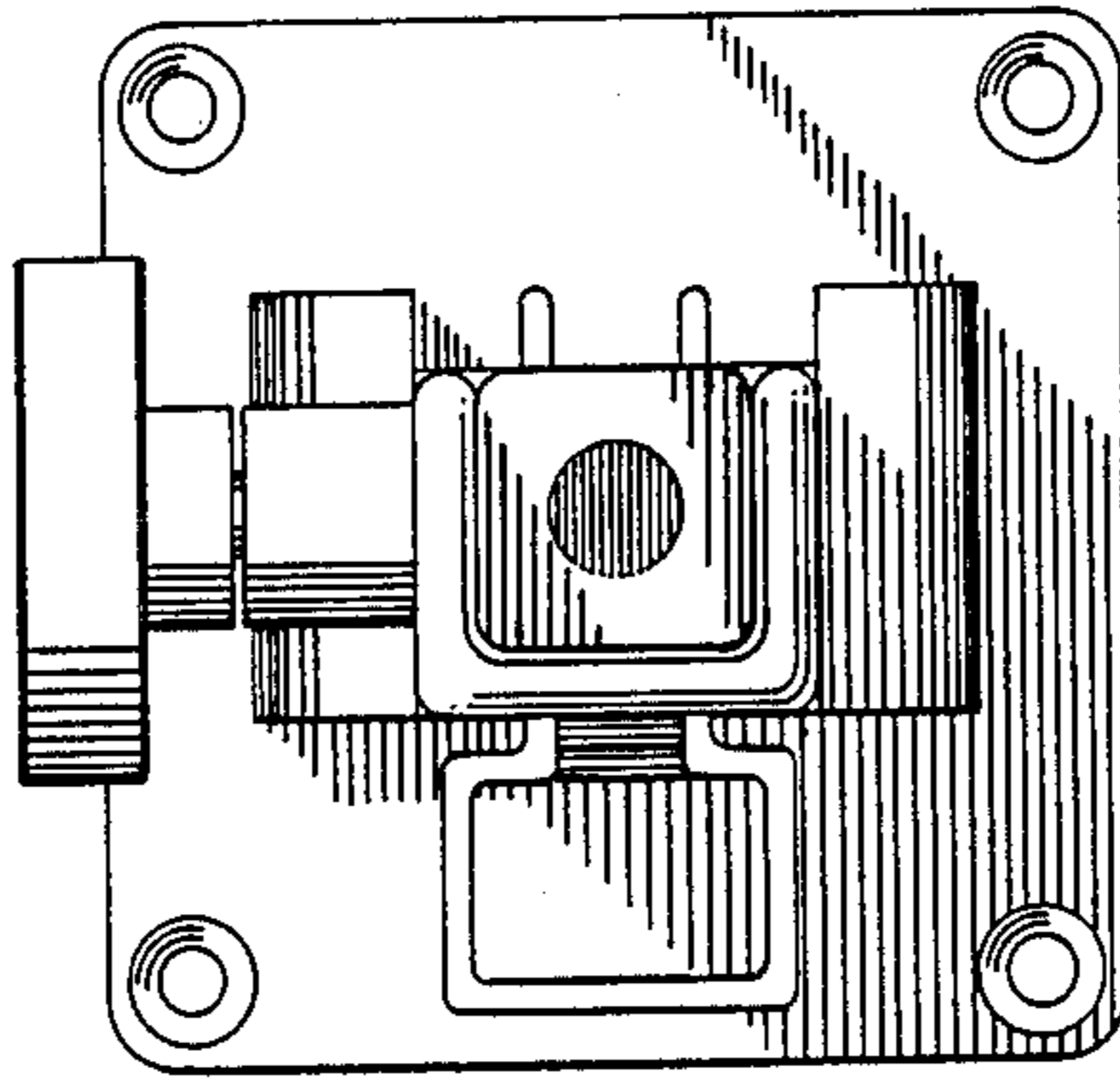


FIG - 2

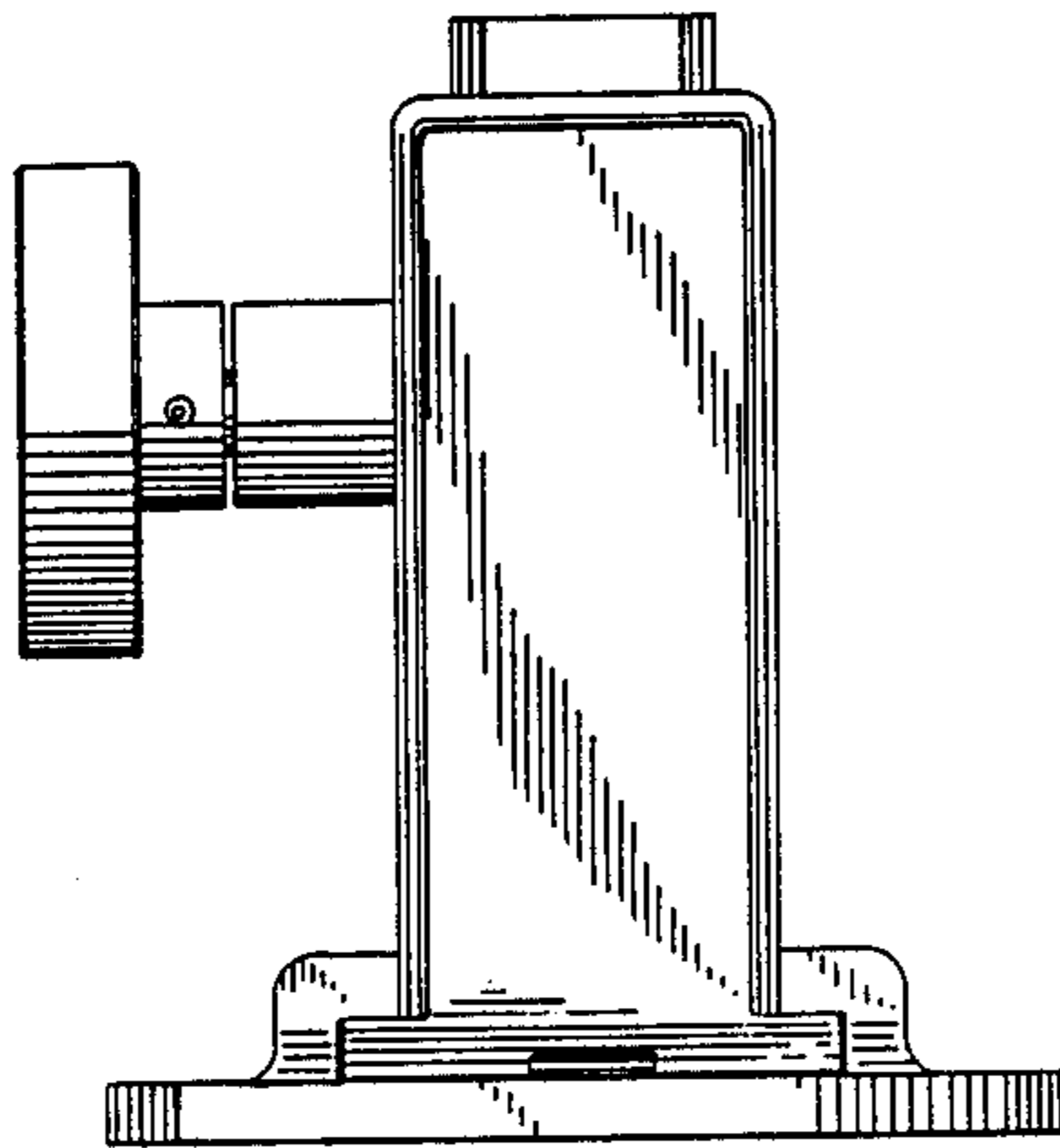


FIG - 3

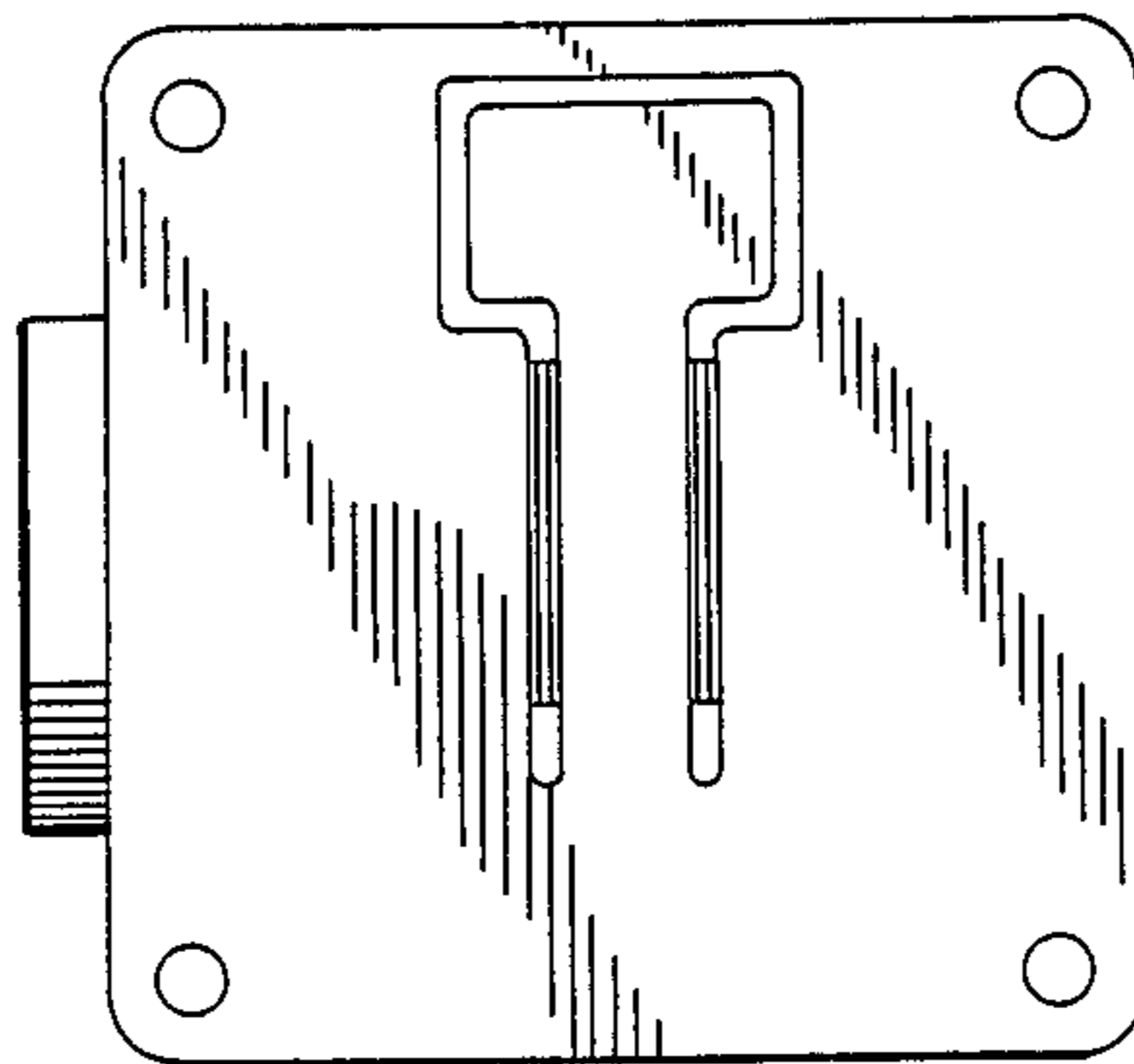


FIG - 4

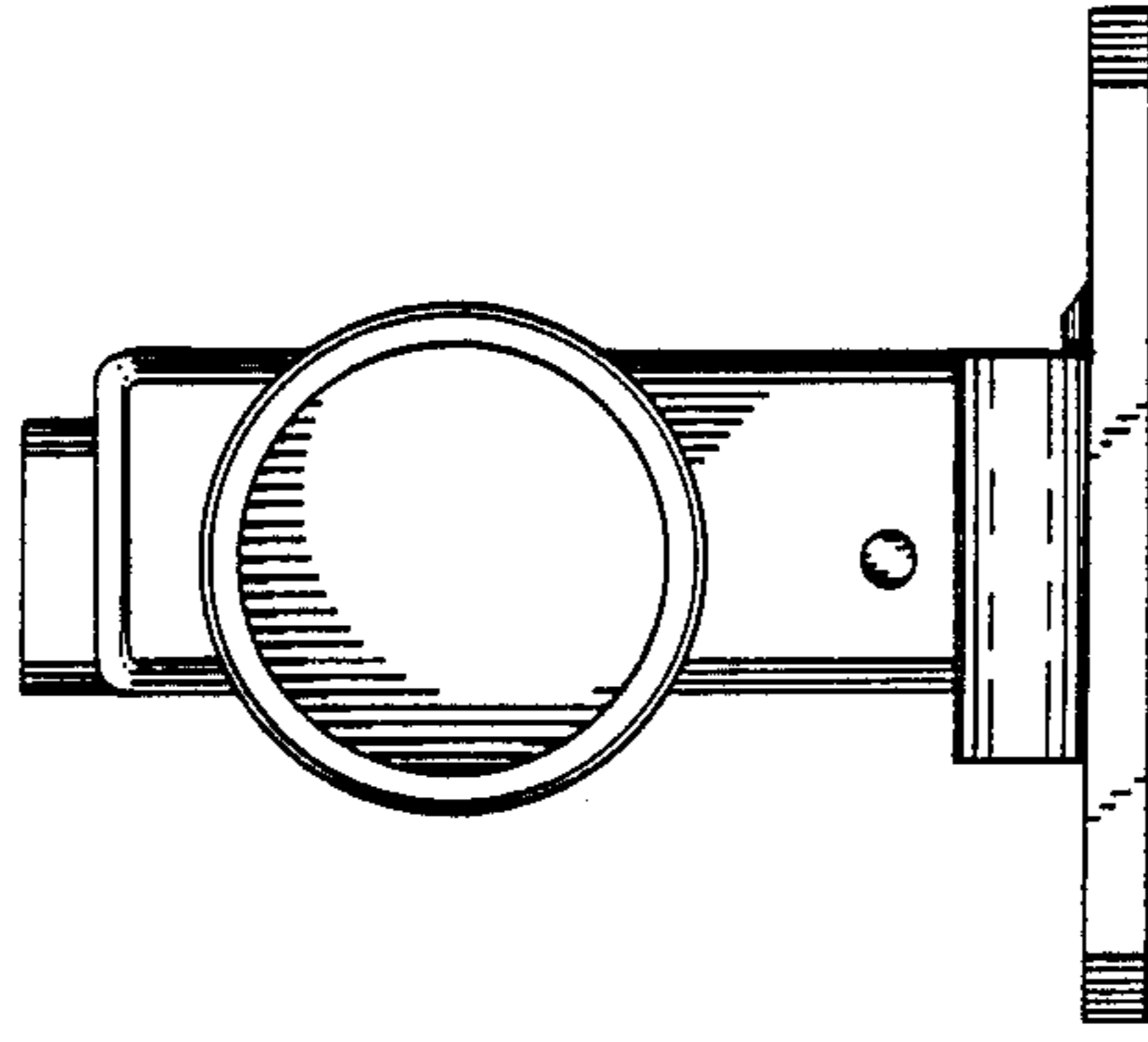


FIG - 7

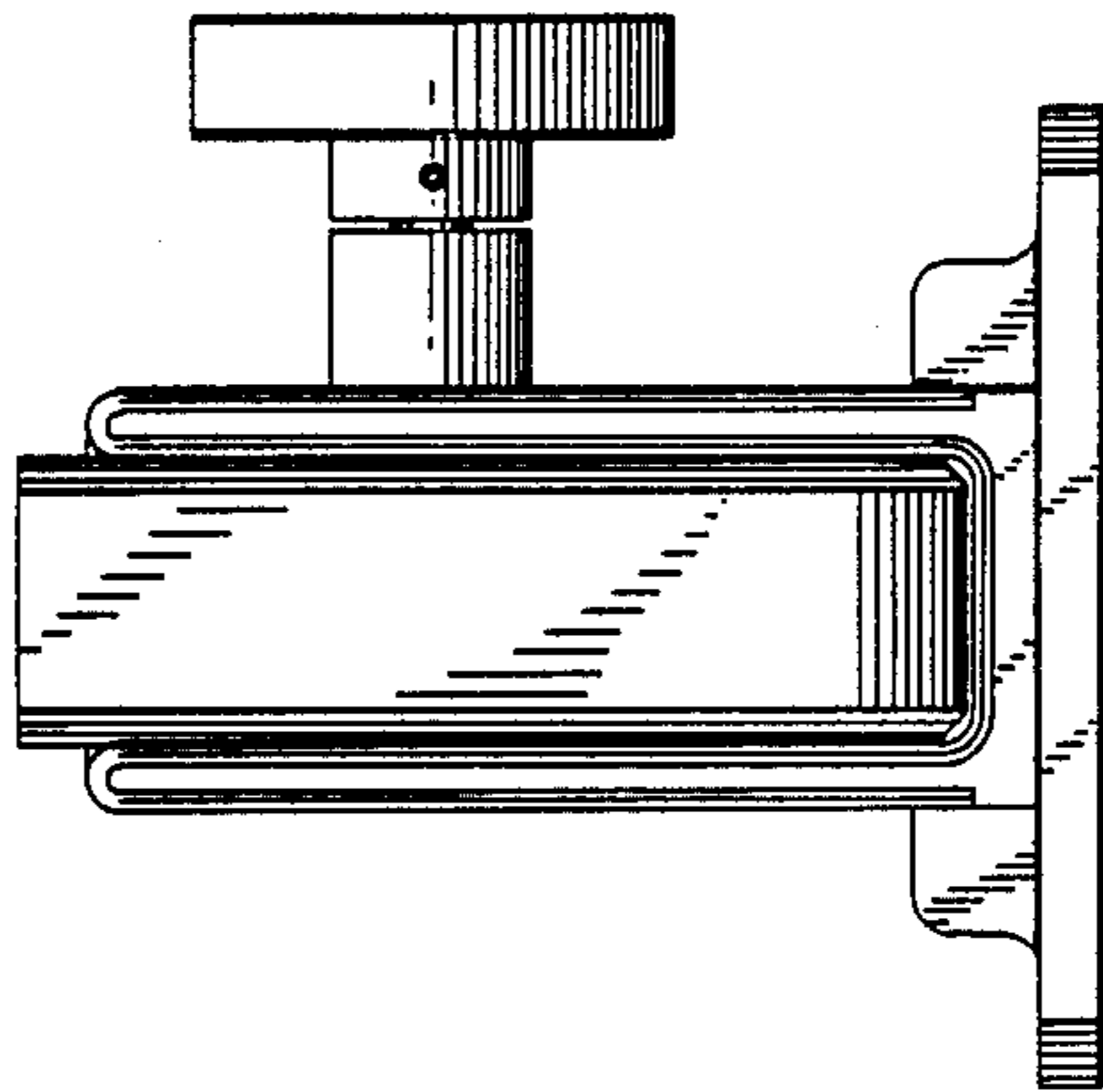


FIG - 6

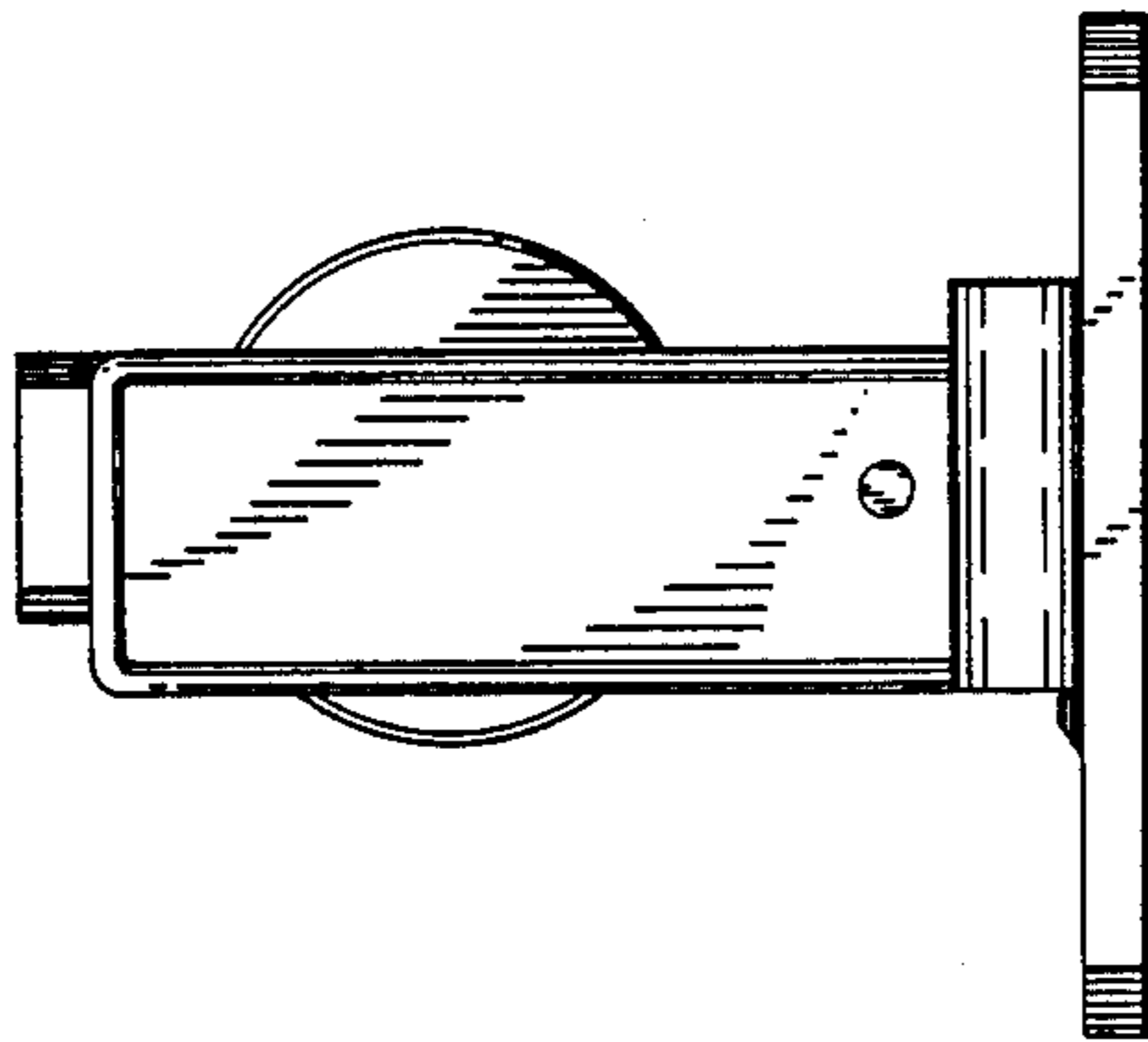


FIG - 5