

[54] INFRARED RADIATION DETECTOR

[75] Inventors: Hugh T. Greenlee; Roy P. Hess, both of Cuyahoga County, Ohio

[73] Assignee: Burle Technologies, Inc., Lancaster, Pa.

[\*\*] Term: 14 Years

[21] Appl. No.: 850,339

[22] Filed: Apr. 4, 1986

[52] U.S. Cl. .... D10/106

[58] Field of Search ..... D10/104, 106, 116, 121; 340/521, 540-546, 555, 556, 557, 565-578, 584, 600, 628, 629, 630; 250/342, 347, 353

[56] References Cited

U.S. PATENT DOCUMENTS

D. 261,740 11/1981 Lederer ..... D10/106

D. 273,572 4/1984 Wada et al. .... D10/106  
D. 275,658 9/1984 Kahl, Jr. et al. .... D10/106  
D. 277,652 2/1985 Kahl, Jr. et al. .... D10/106  
D. 281,766 12/1985 Denton et al. .... D10/106  
4,604,524 8/1986 Kotlicki et al. .... 250/342

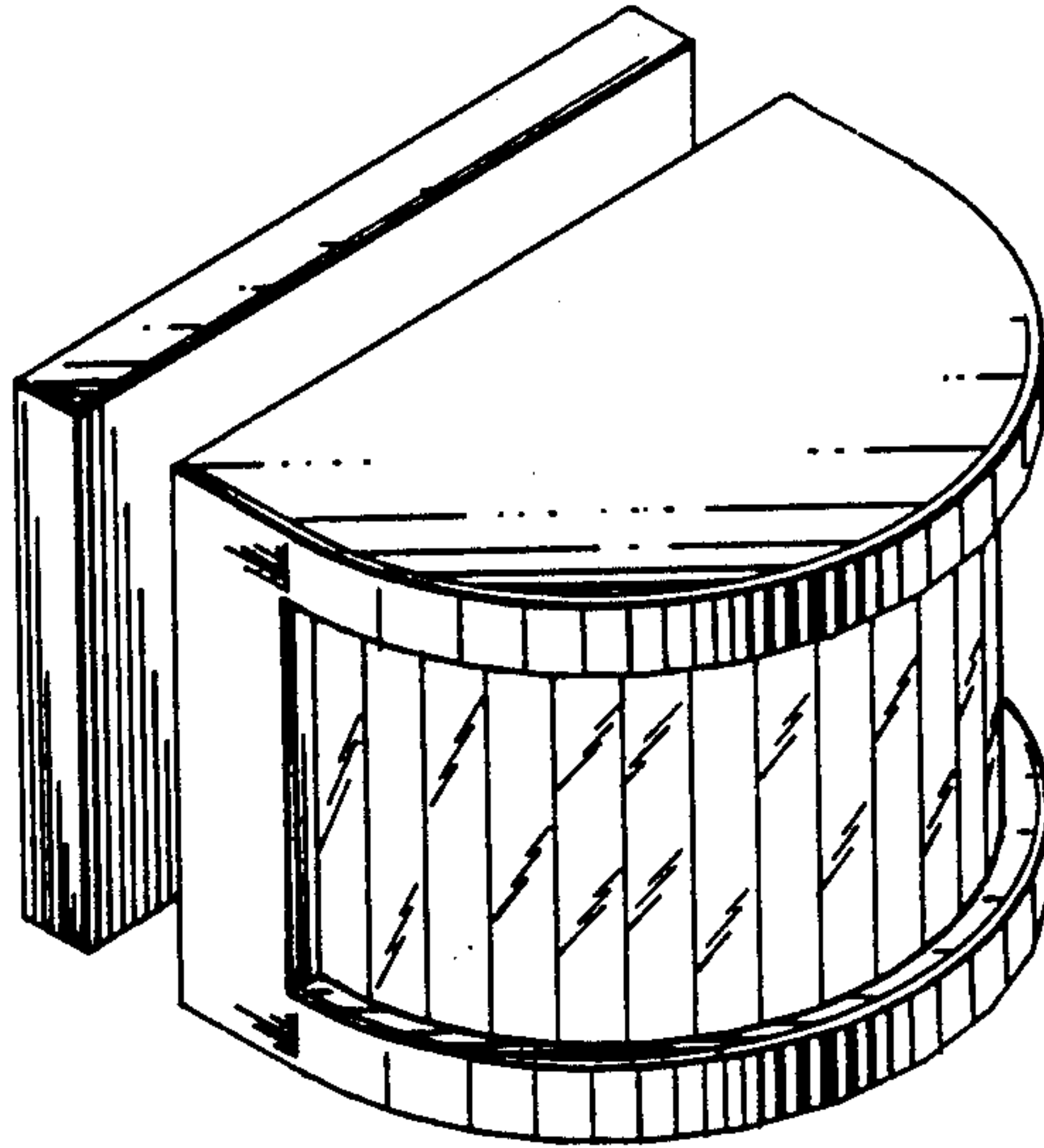
Primary Examiner—Susan J. Lucas

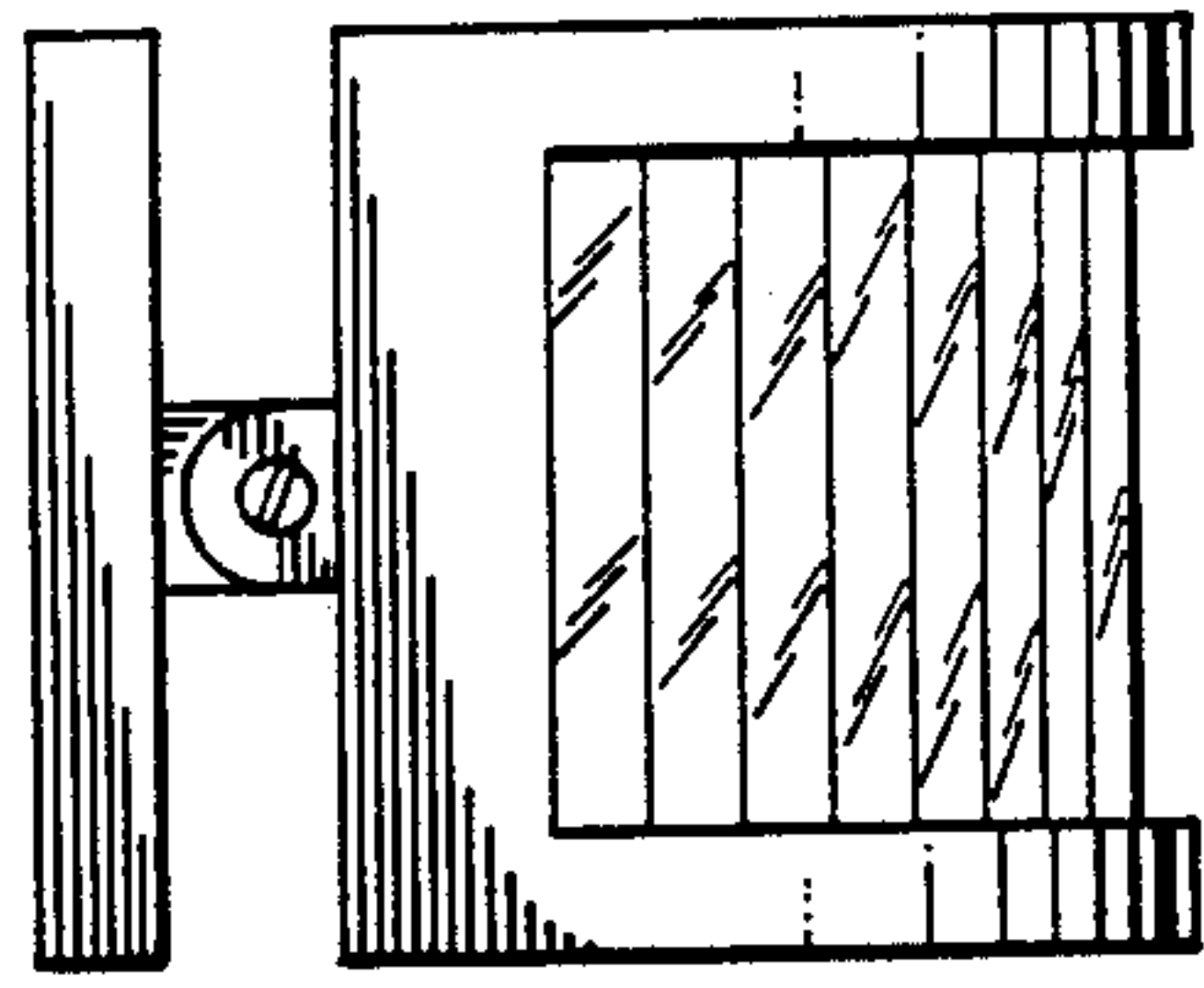
[57] CLAIM

The ornamental design for an infrared radiation detector, as shown and described.

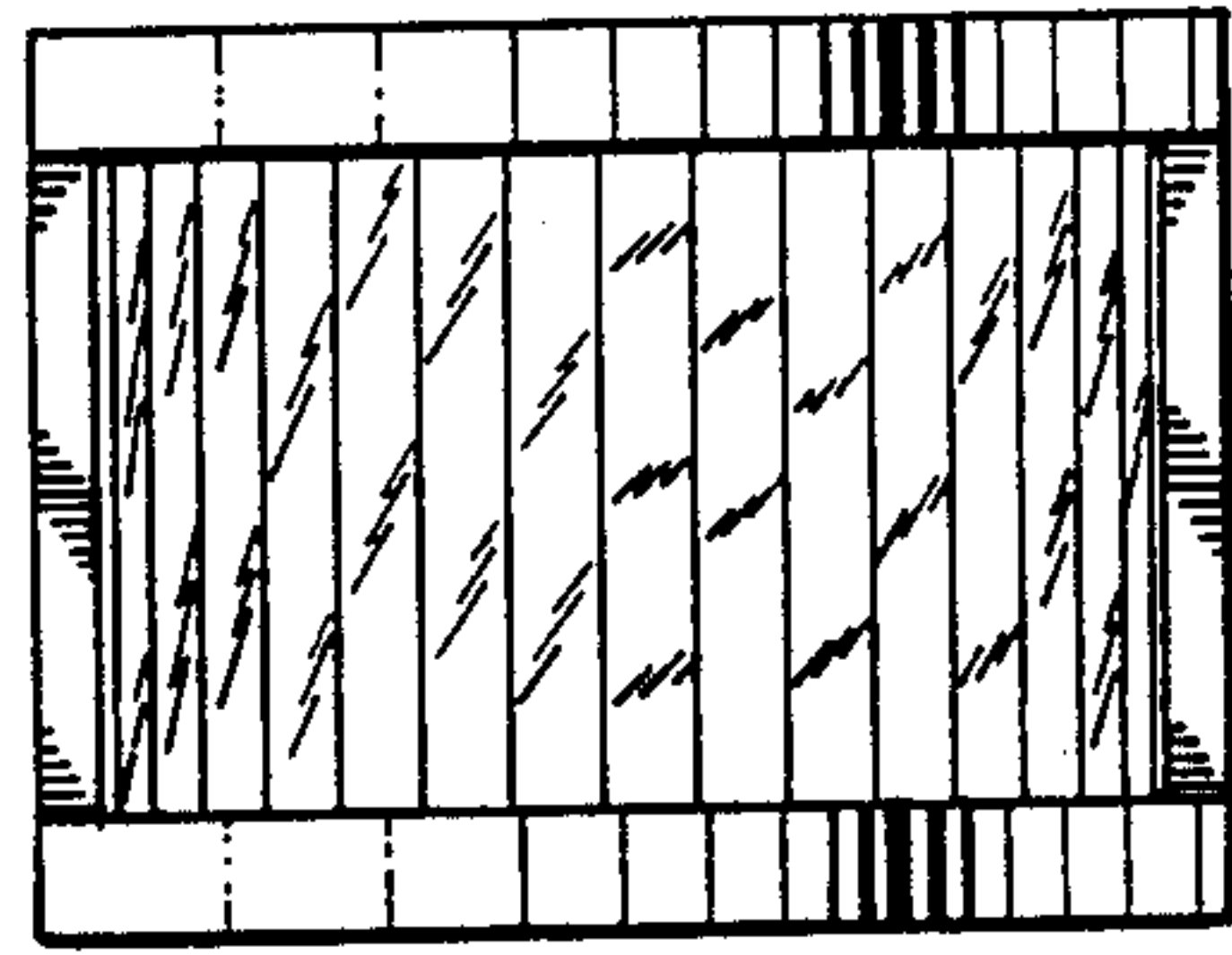
DESCRIPTION

FIG. 1 is a front elevational view of an infrared radiation detector showing our new design;  
FIG. 2 is a side elevational view thereof, the opposite side being identical except for the nut on the end of the bolt in the bracket;  
FIG. 3 is a top plan view thereof, the bottom being a mirror image;  
FIG. 4 is a top, front isometric view thereof.

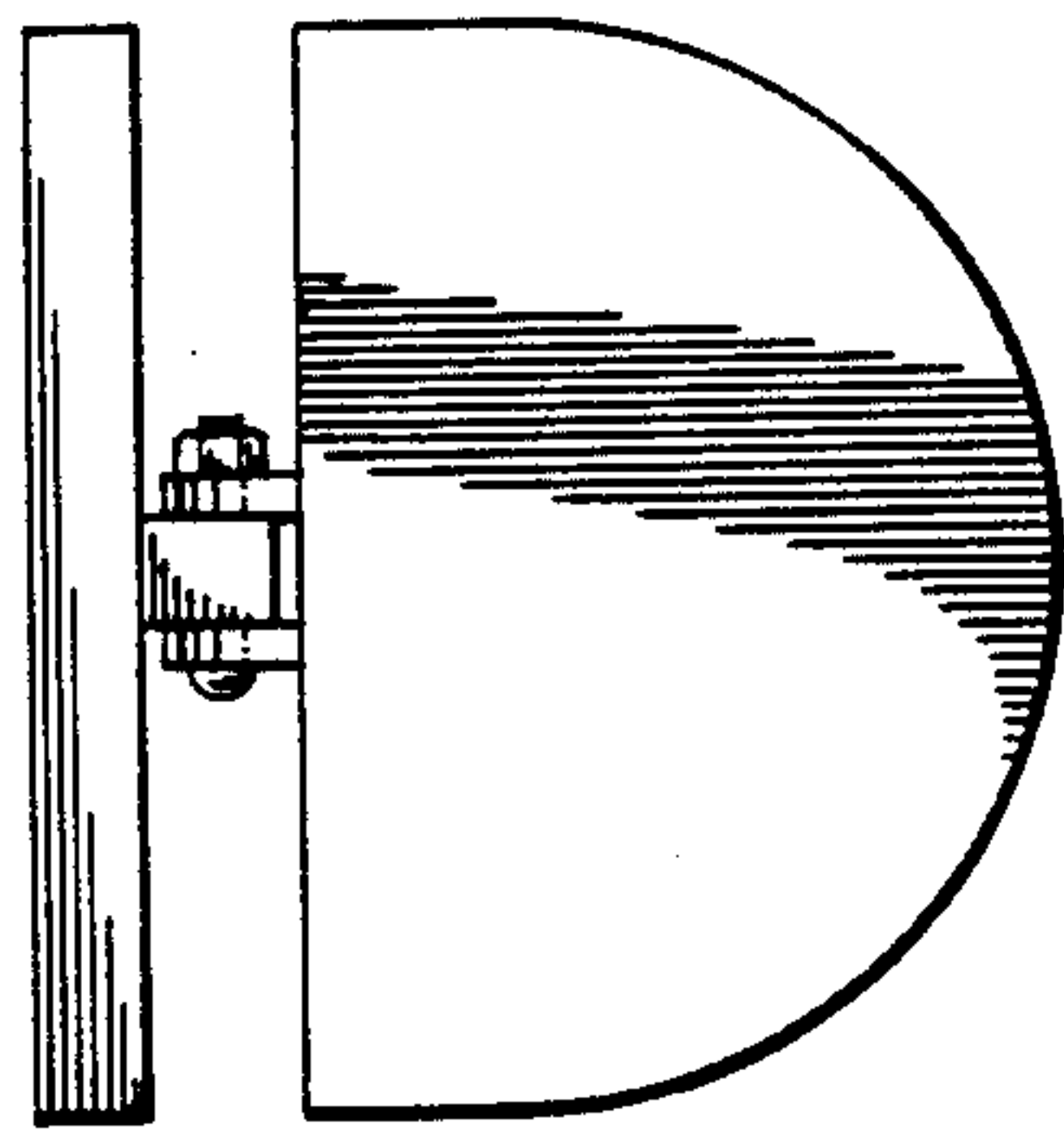




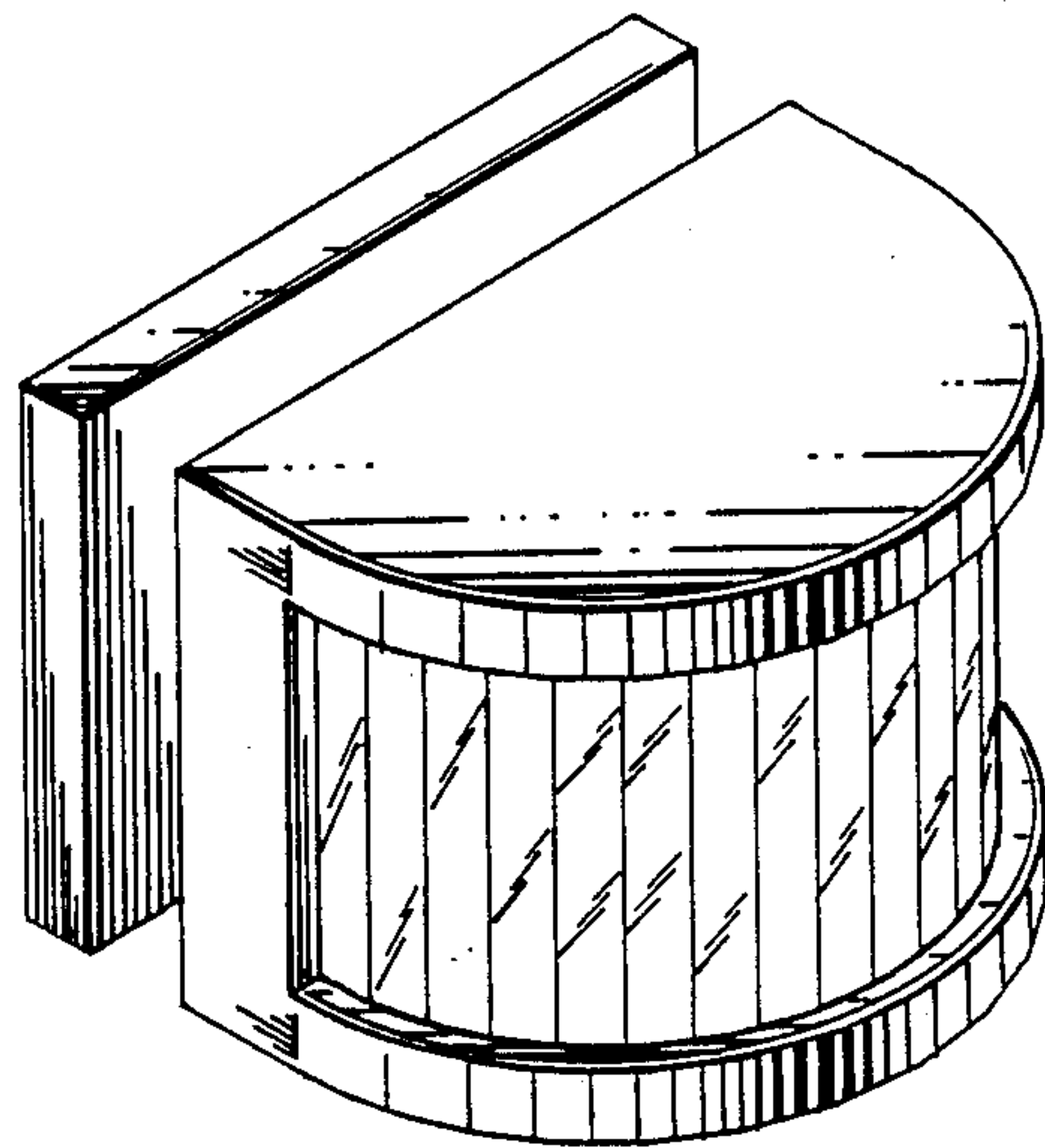
*Fig. 2*



*Fig. 1*



*Fig. 3*



*Fig. 4*