

[54] PATIENT WEIGHT BASKET

[76] Inventor: Fernando V. DeCastro, 6125 Clayton Ave., Ste. 130, St. Louis, Mo. 63139

[**] Term: 14 Years

[21] Appl. No.: 827,729

[22] Filed: Feb. 10, 1986

[52] U.S. Cl. D10/94

[58] Field of Search D10/87-94; 177/262-263, 243, 256, 239, 177

[56] References Cited

U.S. PATENT DOCUMENTS

D. 139,931	1/1945	Dreyfuss	D10/90
1,400,469	12/1921	Weine	177/293 X
4,512,432	4/1985	Balenger	177/211
4,602,693	7/1986	Racicot	177/262
4,674,060	6/1987	Larkin	177/200 X

Primary Examiner—Nelson C. Holtje

[57] CLAIM

The ornamental design for a patient weight basket, as shown and described.

DESCRIPTION

FIG. 1 is a front and top-left perspective view of a patient weight basket showing my new design;
 FIG. 2 is a front and top-left perspective view of a second embodiment of my new design of FIG. 1;
 FIG. 3 is a front and top-left perspective view of a third embodiment of my new design of FIG. 1.
 FIG. 4 is a front and top-left perspective view of a fourth embodiment of my new design of FIG. 1;
 FIG. 5 is a top plan view of all four embodiments;
 FIG. 6 is a rear elevational view of FIGS. 1 and 3;
 FIG. 7 is a right side elevational view of FIG. 1;
 FIG. 8 is a bottom plan view of FIG. 1;
 FIG. 9 is a rear elevational view of FIG. 2;
 FIG. 10 is a right side elevational view of FIGS. 2 and 4;
 FIG. 11 is a bottom plan view of FIG. 2;
 FIG. 12 is a right side elevational view of FIG. 3;
 FIG. 13 is a rear elevational view FIG. 4;
 FIG. 14 is a bottom plan view of FIGS. 3 and 4.

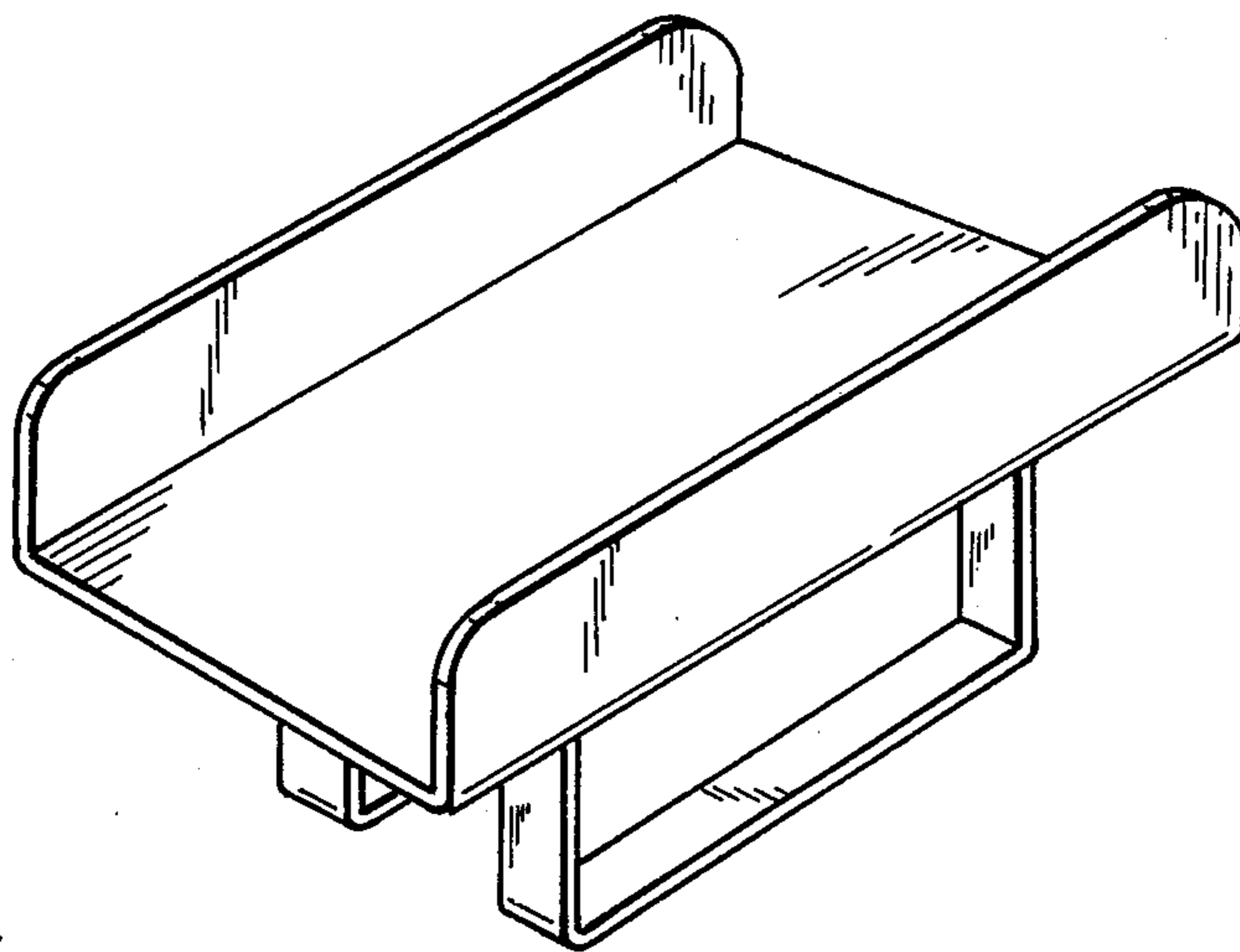


FIG. 1.

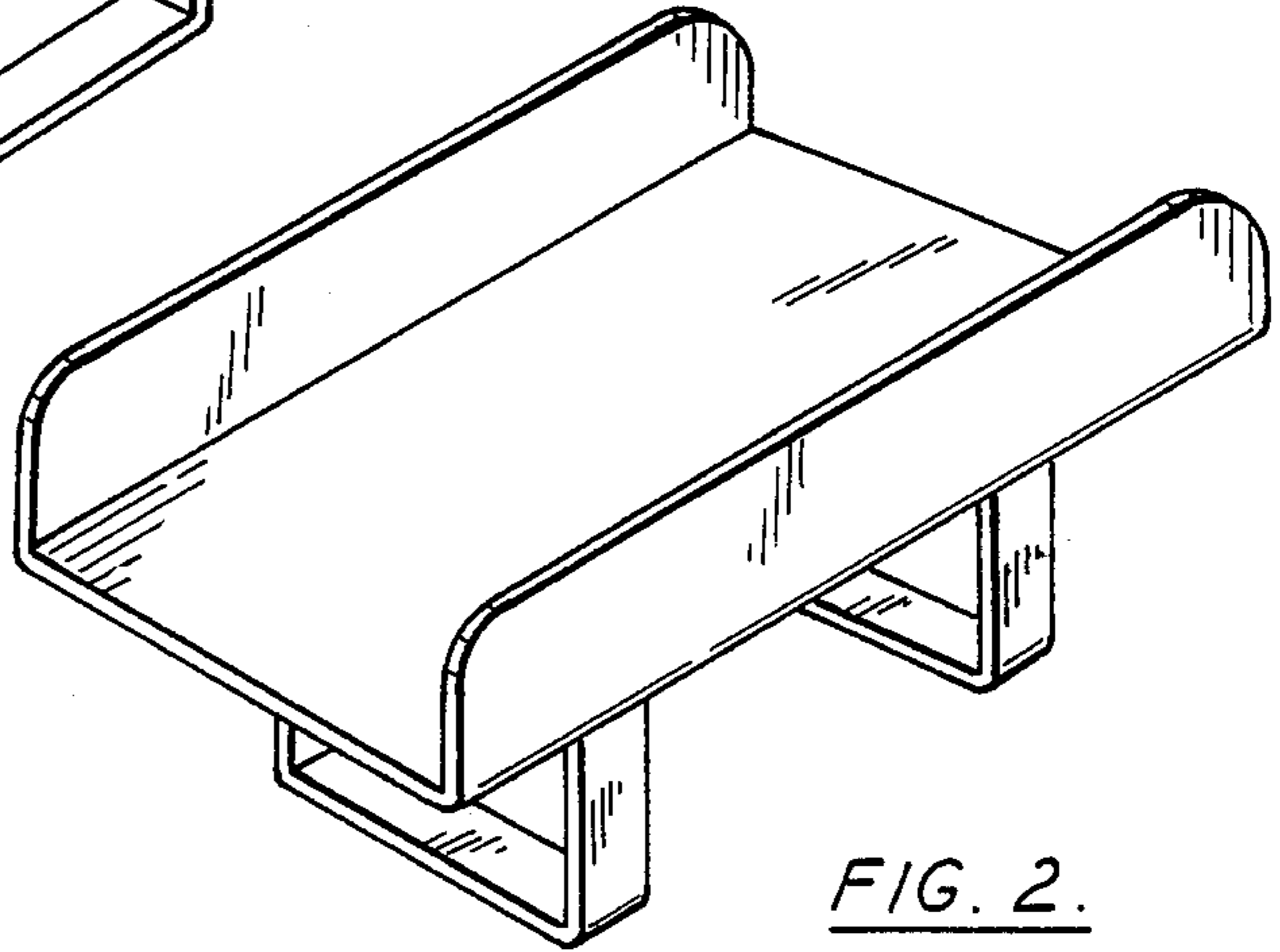
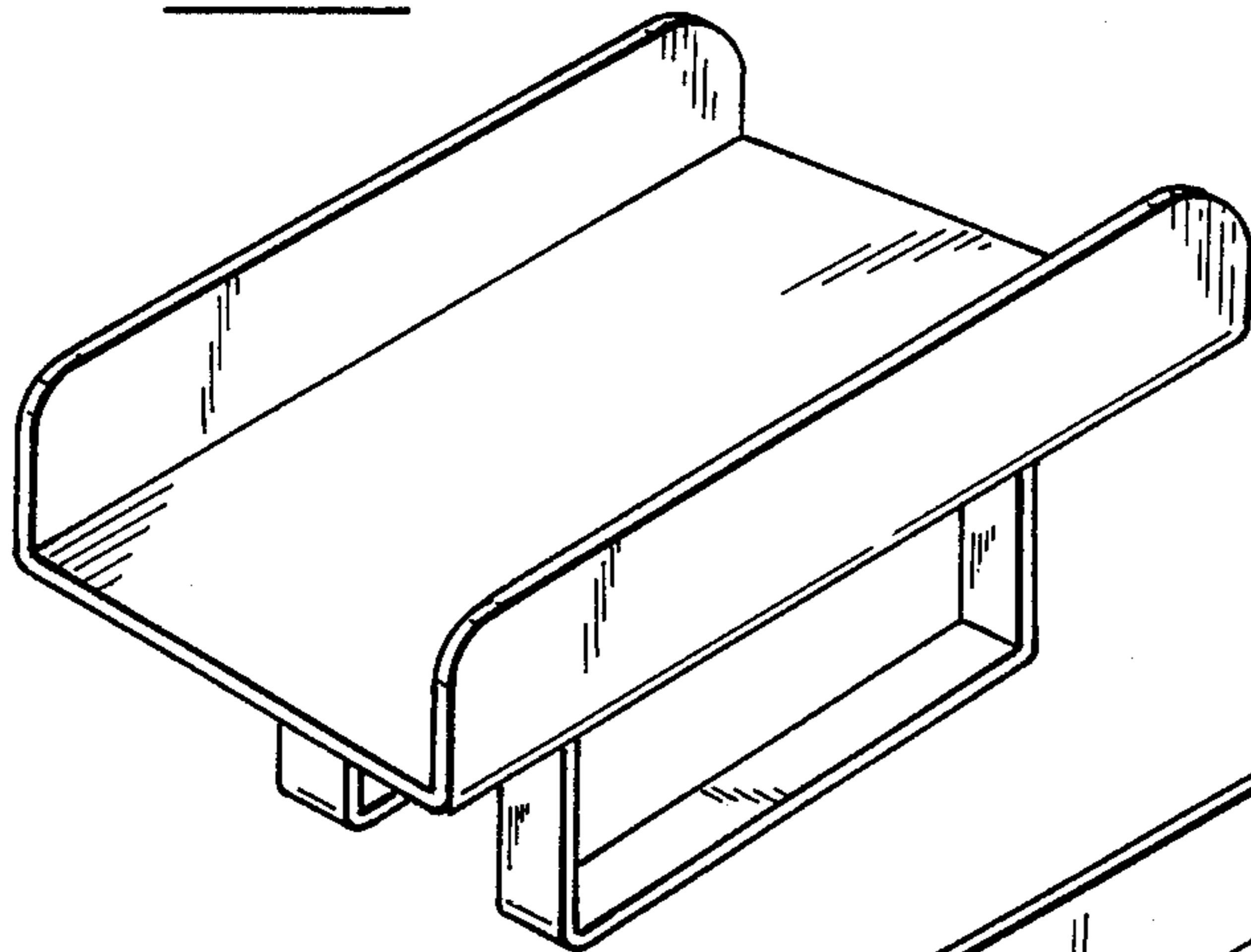


FIG. 3.

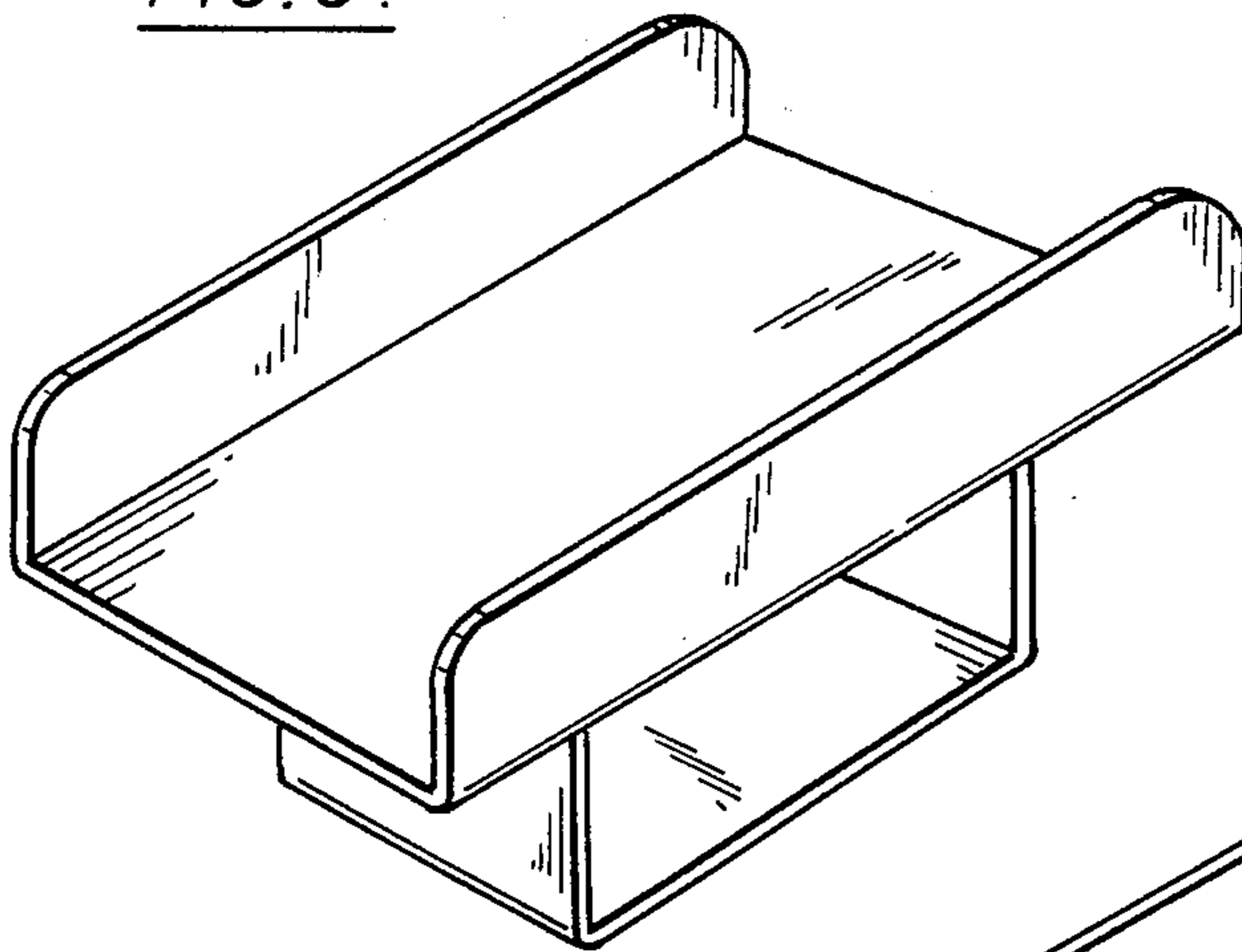


FIG. 2.

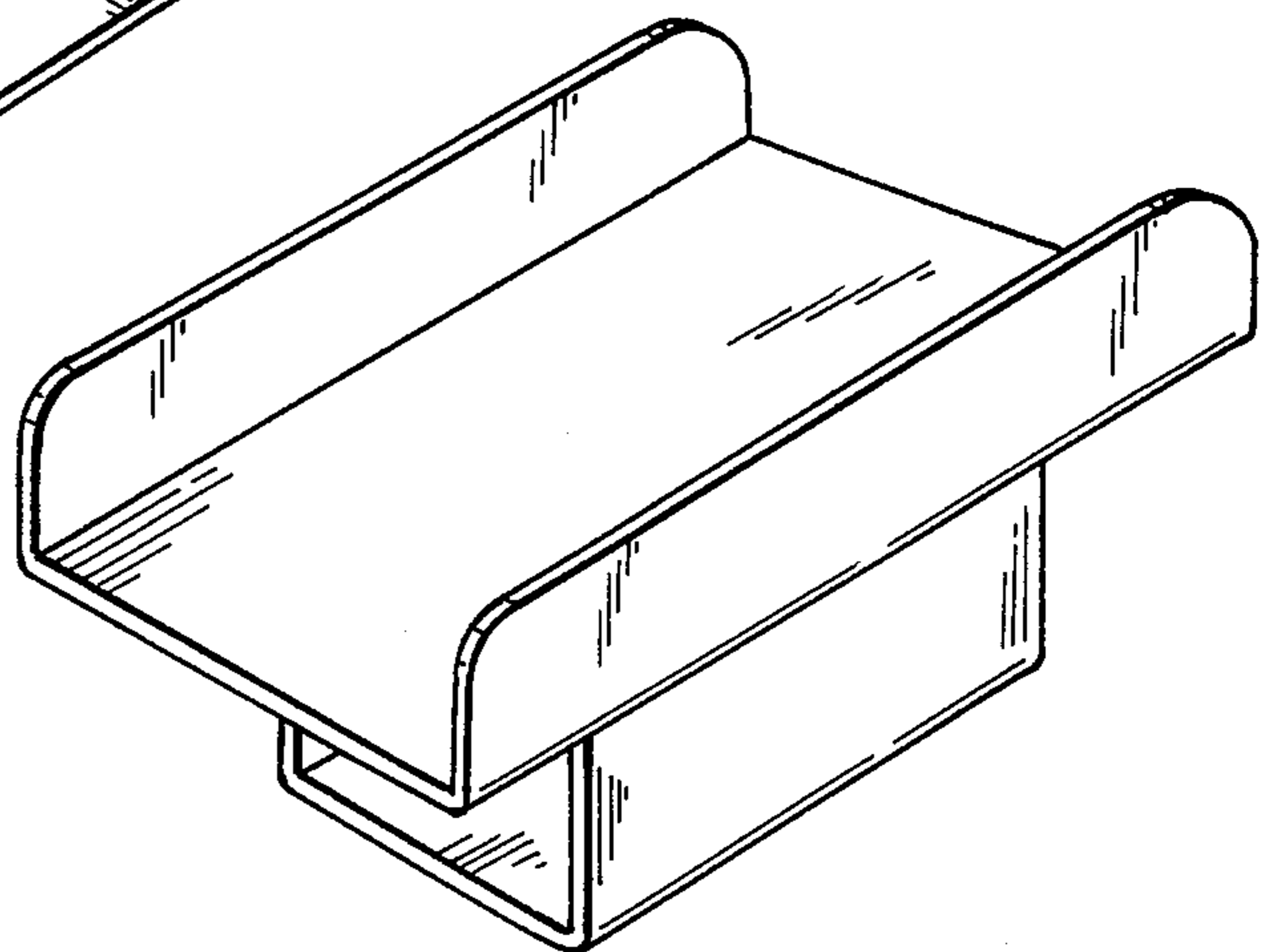


FIG. 4.

FIG. 5.

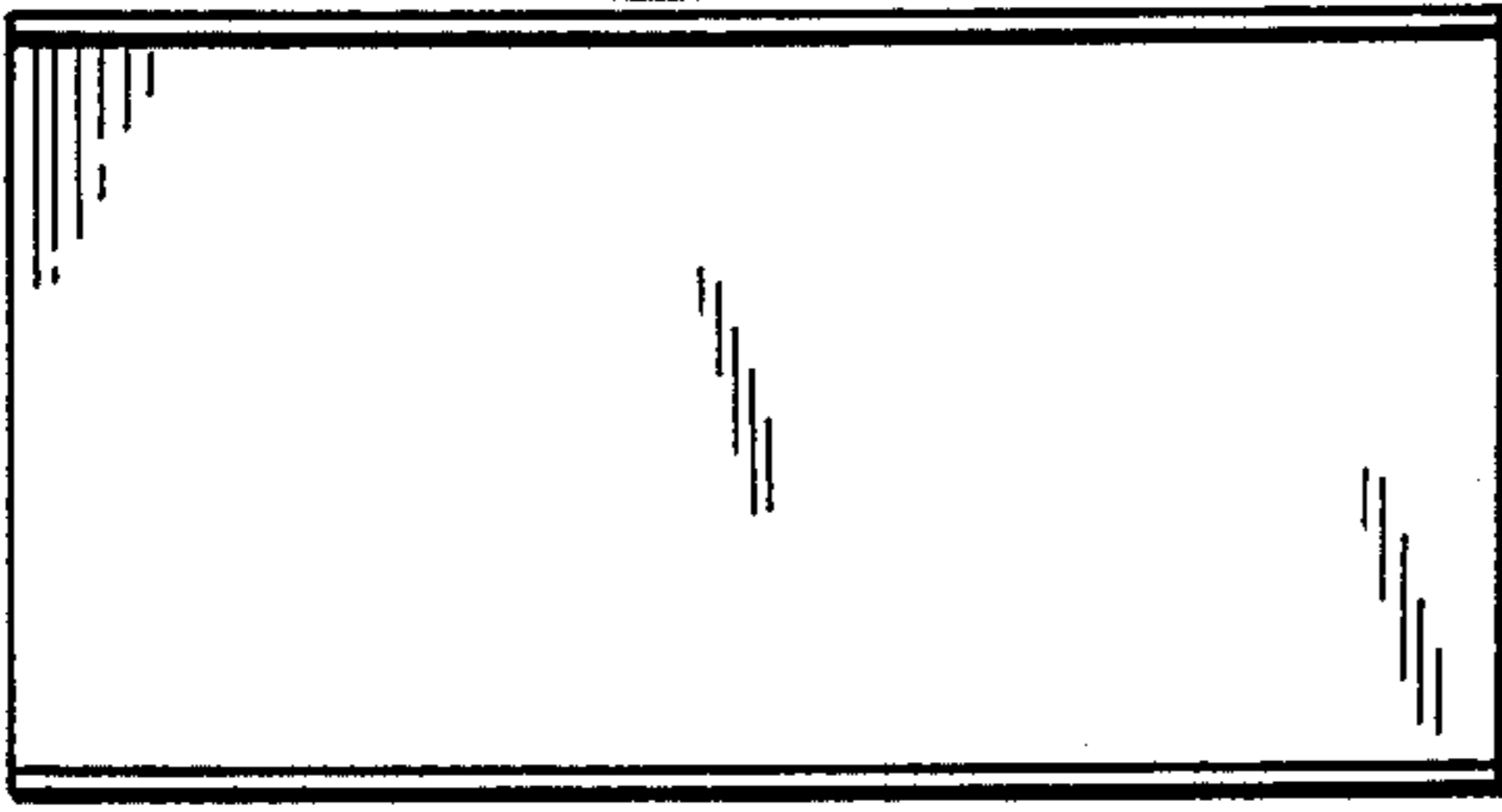


FIG. 8.

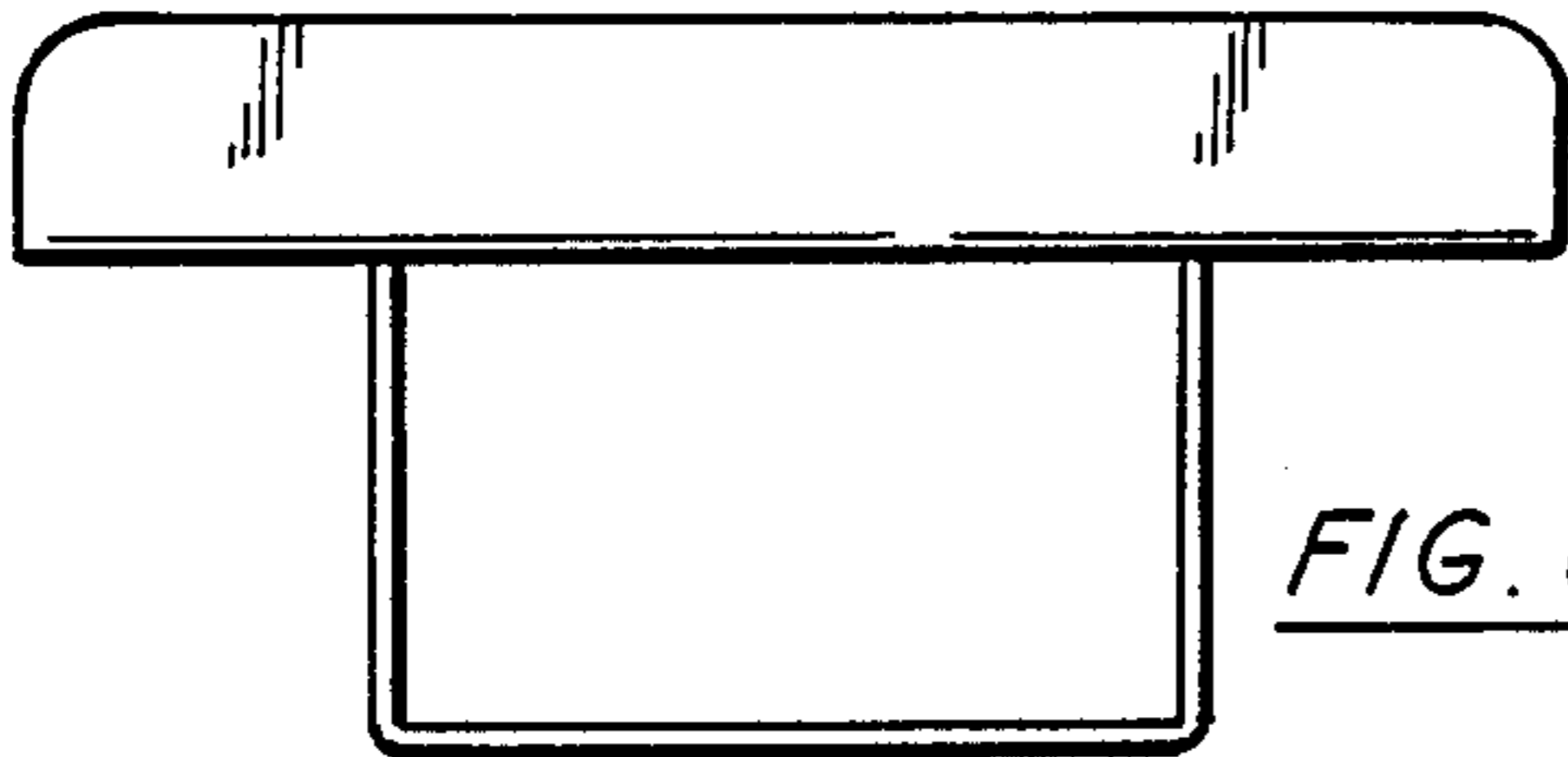
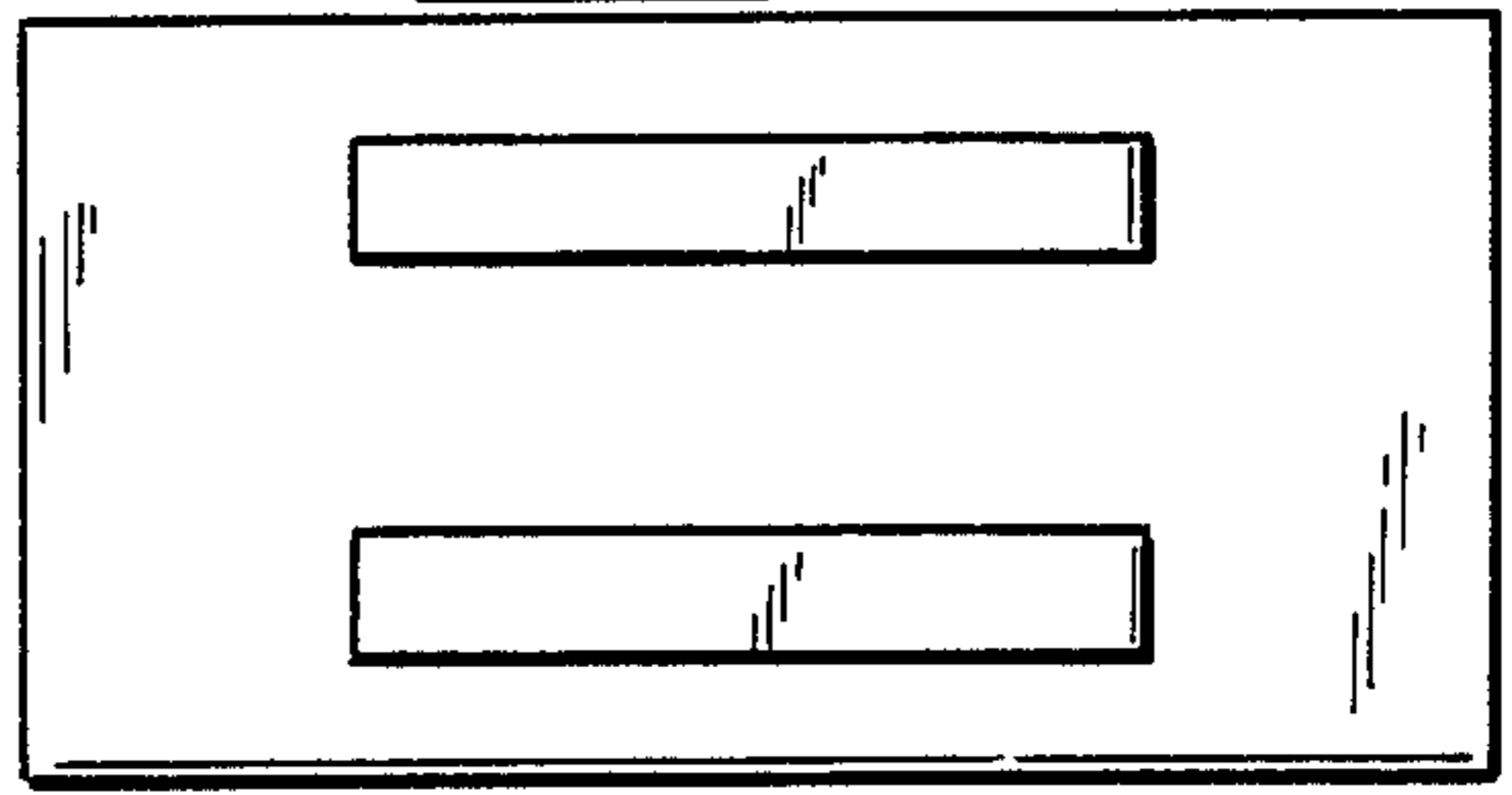


FIG. 6.

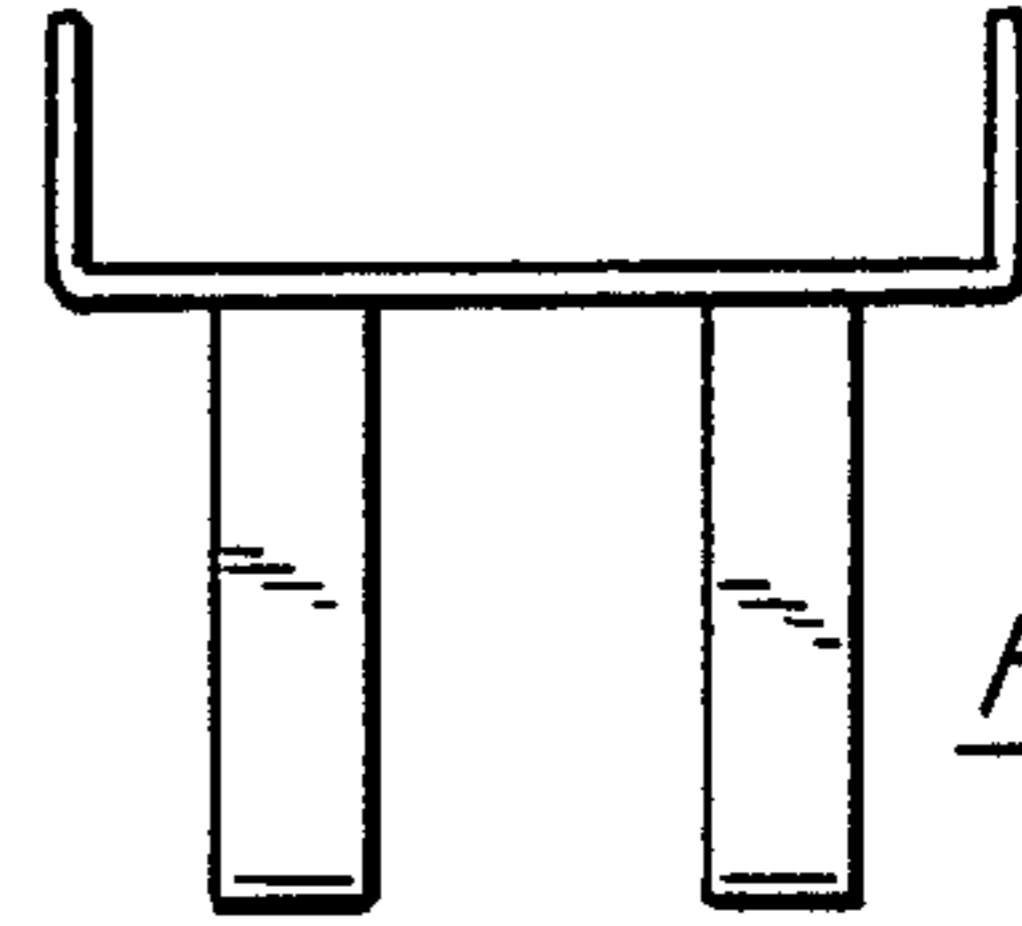


FIG. 7.

FIG. 9.

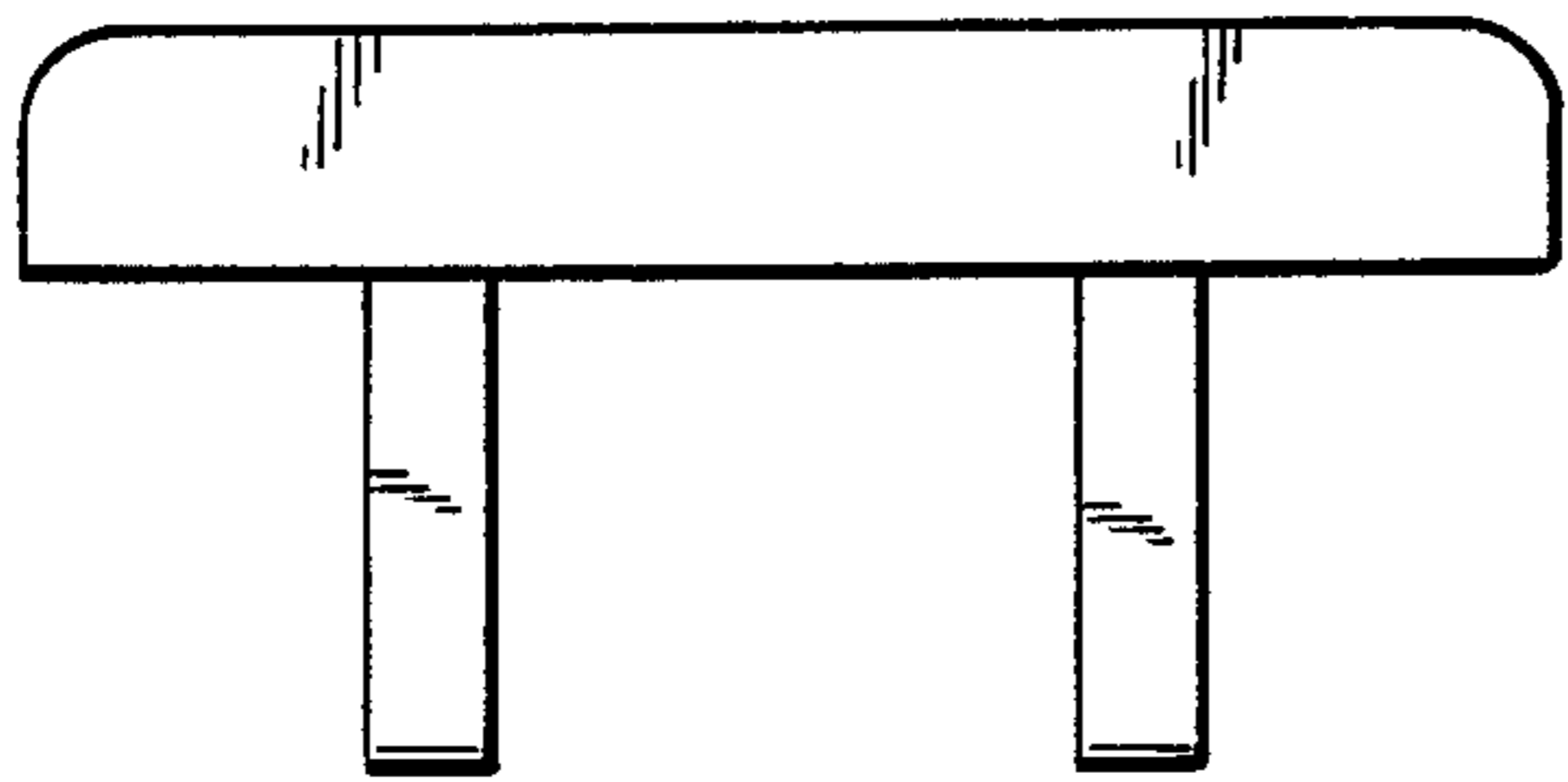


FIG. 10.

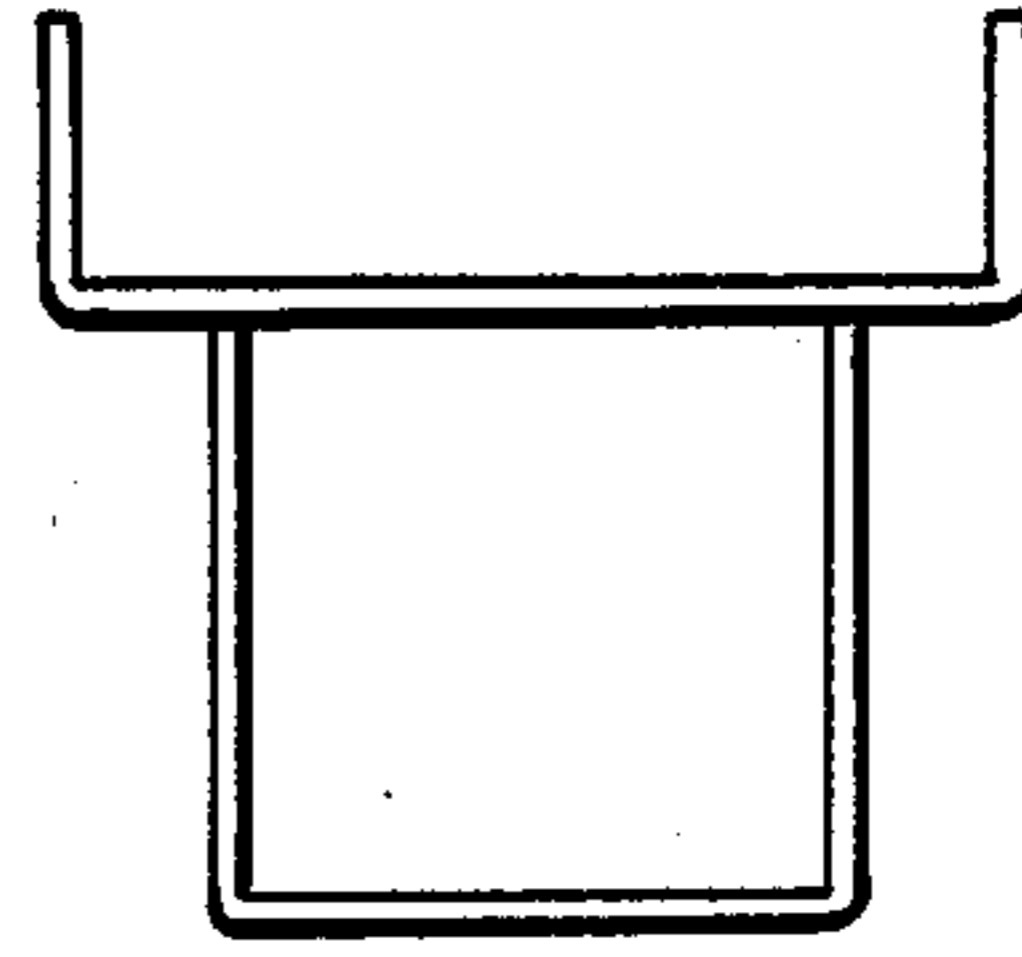


FIG. 11.

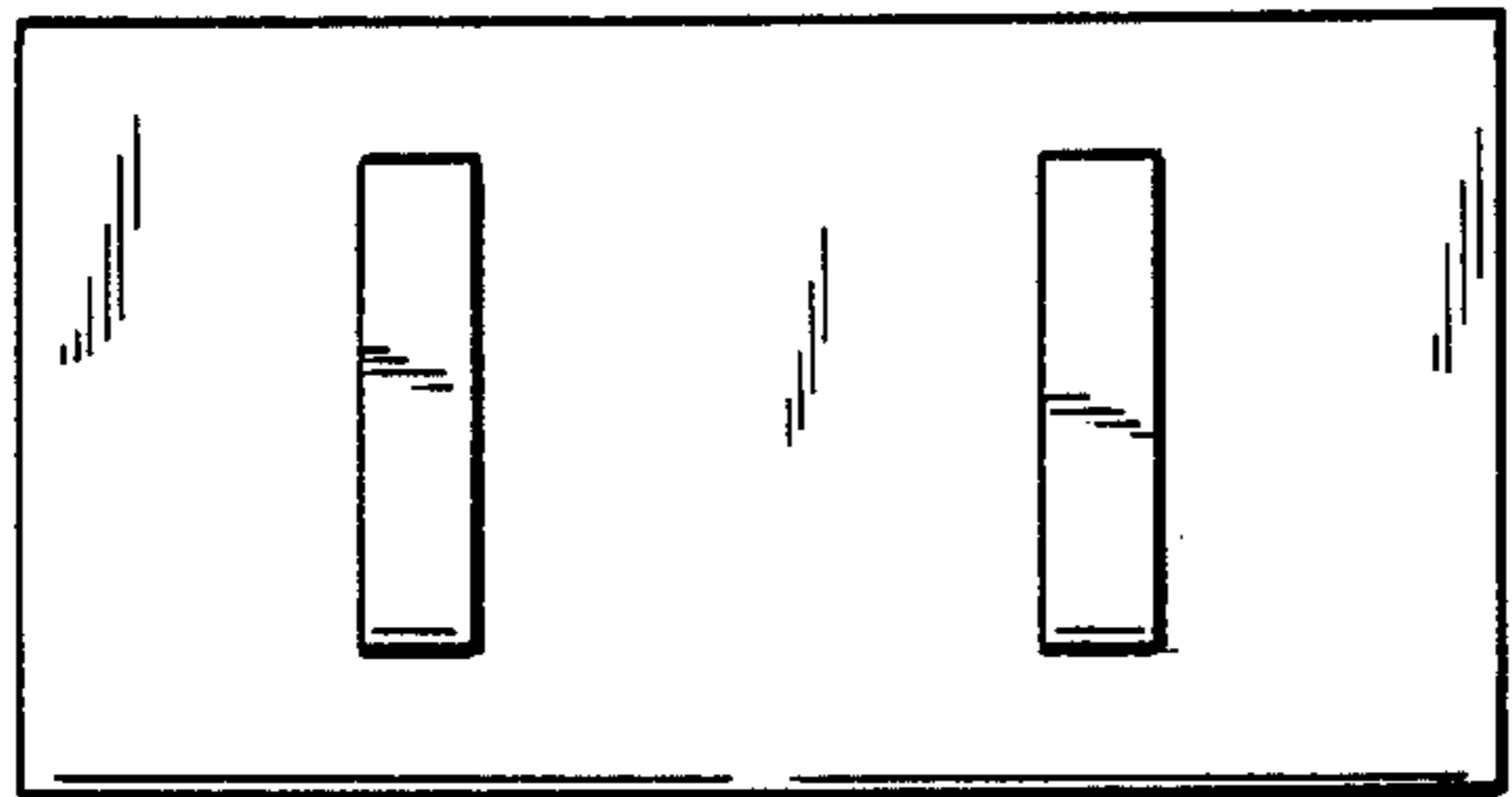


FIG. 12.

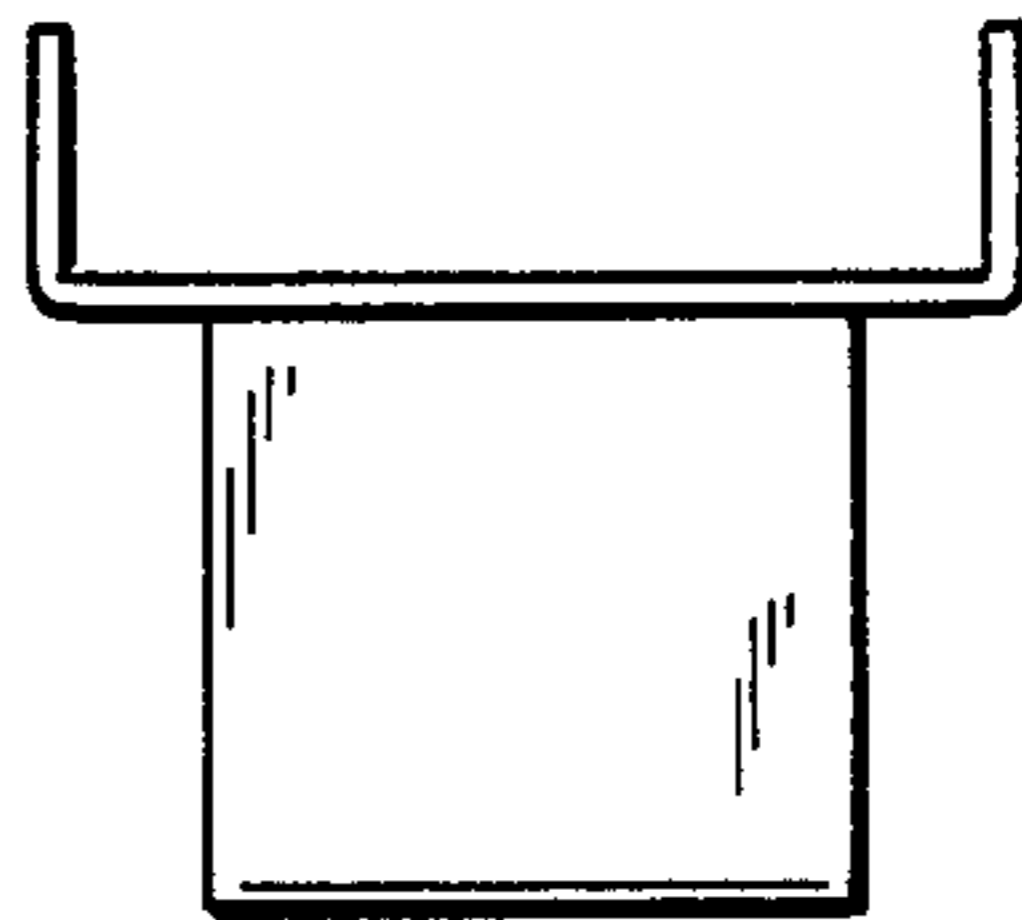


FIG. 14.

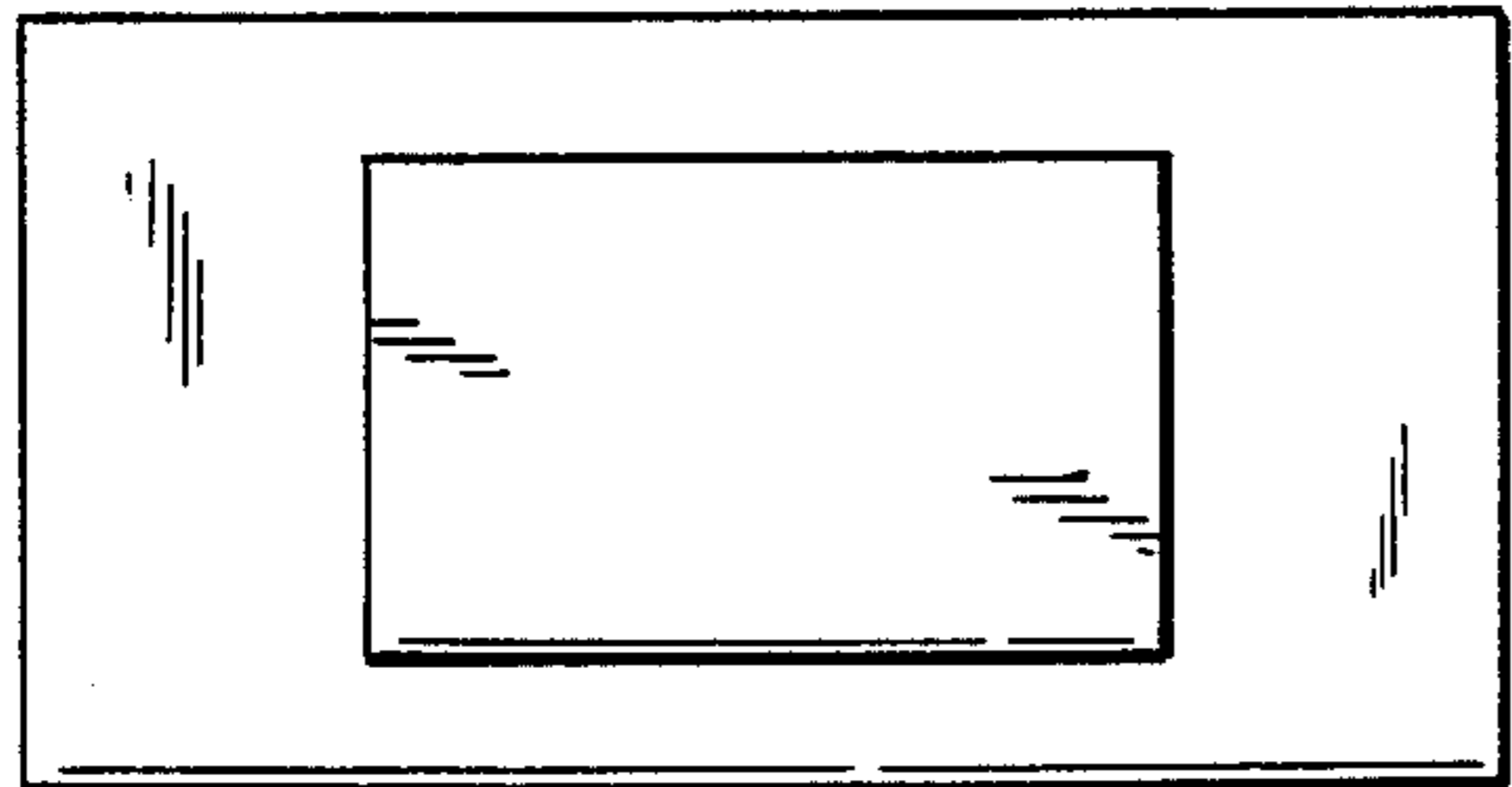


FIG. 13.

