

[54] MINE ROOF SUPPORT PLATE

[76] Inventors: Bruce A. Cassidy, R.D. 1, Box 319, Richmond, Ohio 43944; James O. Gray, R.D. 1, Rayland, Ohio 43943

[\*\*] Term: 14 Years

[21] Appl. No.: 805,102

[22] Filed: Nov. 13, 1985

[52] U.S. Cl. .... D8/399; D8/353

[58] Field of Search ..... D8/350, 353, 399; 405/259, 261; 411/531; 52/512, 690

[56] References Cited

U.S. PATENT DOCUMENTS

D. 236,428	8/1975	Stewart et al. .	
2,854,824	10/1958	Curry et al. .	
4,095,431	6/1978	Hannan .	
4,112,693	9/1978	Collin et al. ....	405/132
4,371,293	2/1983	Wilcox et al. ....	405/259
4,476,660	10/1984	Francovitch .....	52/515
4,518,282	5/1985	Wilcox et al. ....	405/259

OTHER PUBLICATIONS

Brochure entitled: "Keeping the Roof Over Your

Head", published by Keystone Bolt Company, Copyright 1979.

Brochure entitled: "Tazewell Underground Roof Control Products and Services", published by Tazewell Industries (undated).

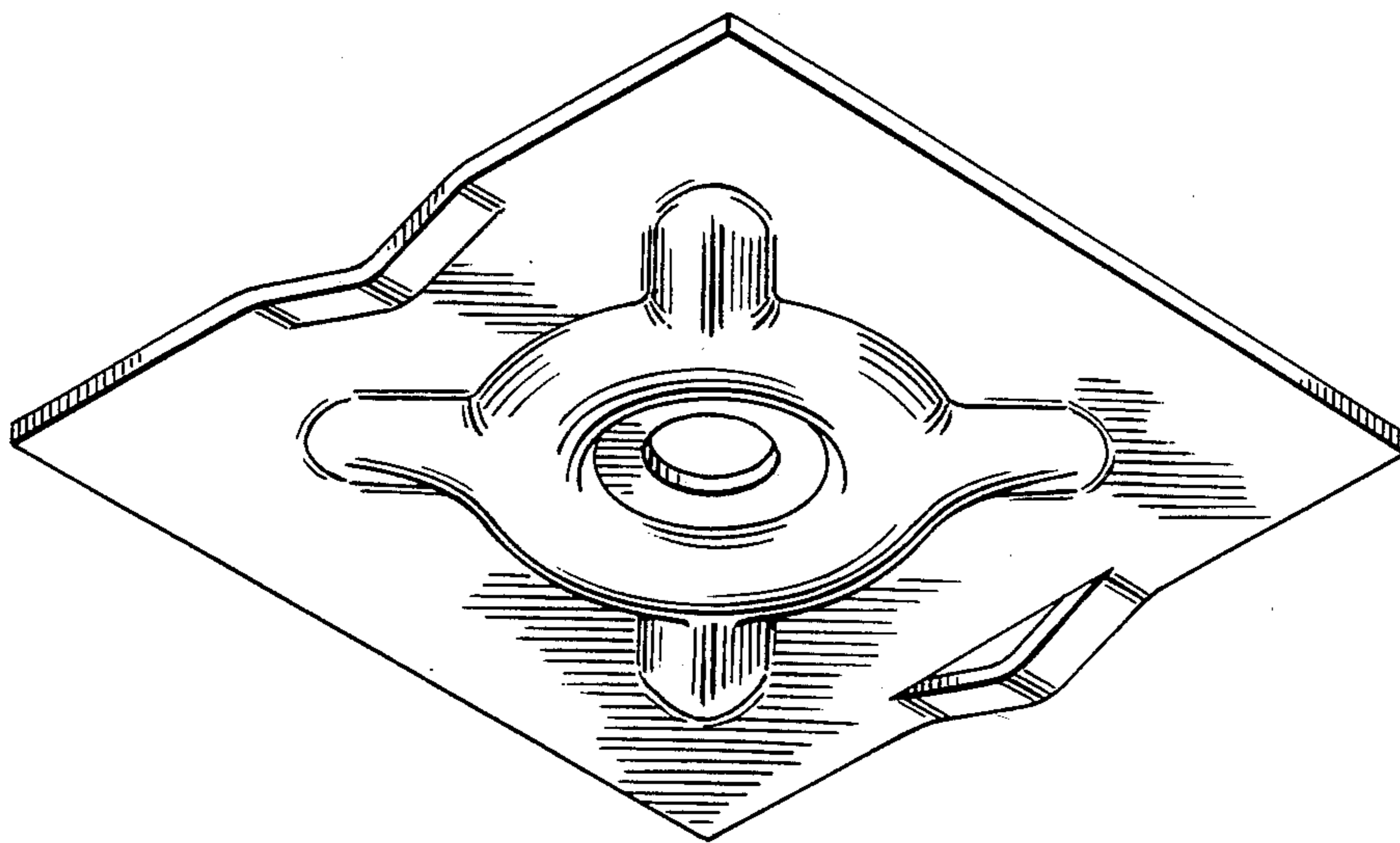
Primary Examiner—B. J. Bullock  
Attorney, Agent, or Firm—Fleit, Jacobson, Cohn & Price

[57] CLAIM

The ornamental design for a support plate, substantially as shown and described.

DESCRIPTION

FIG. 1 is a perspective view of a mine roof support plate showing our new design; FIG. 2 is a bottom view thereof; FIG. 3 is a top view thereof; FIG. 4 is a right side view relative to FIG. 2. FIG. 5 is a front view relative to FIG. 2; FIG. 6 is a cross-sectional view taken in the direction of the arrows on line 6—6 of FIG. 2; FIG. 7 is a cross-sectional view taken in the direction of the arrows on line 7—7 of FIG. 2; The left side view is identical to the right side view, and the rear view is identical to the front view.



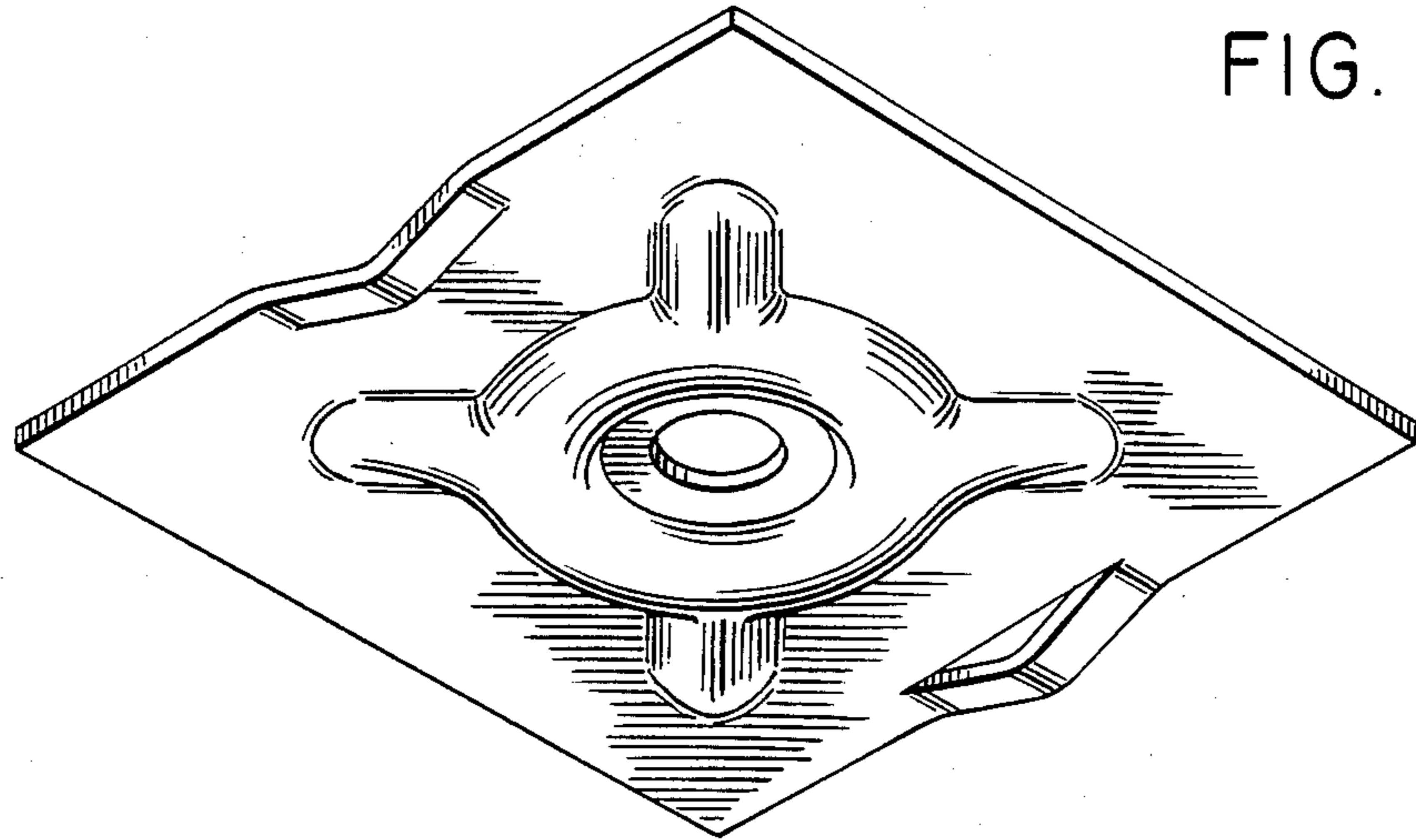


FIG. 1

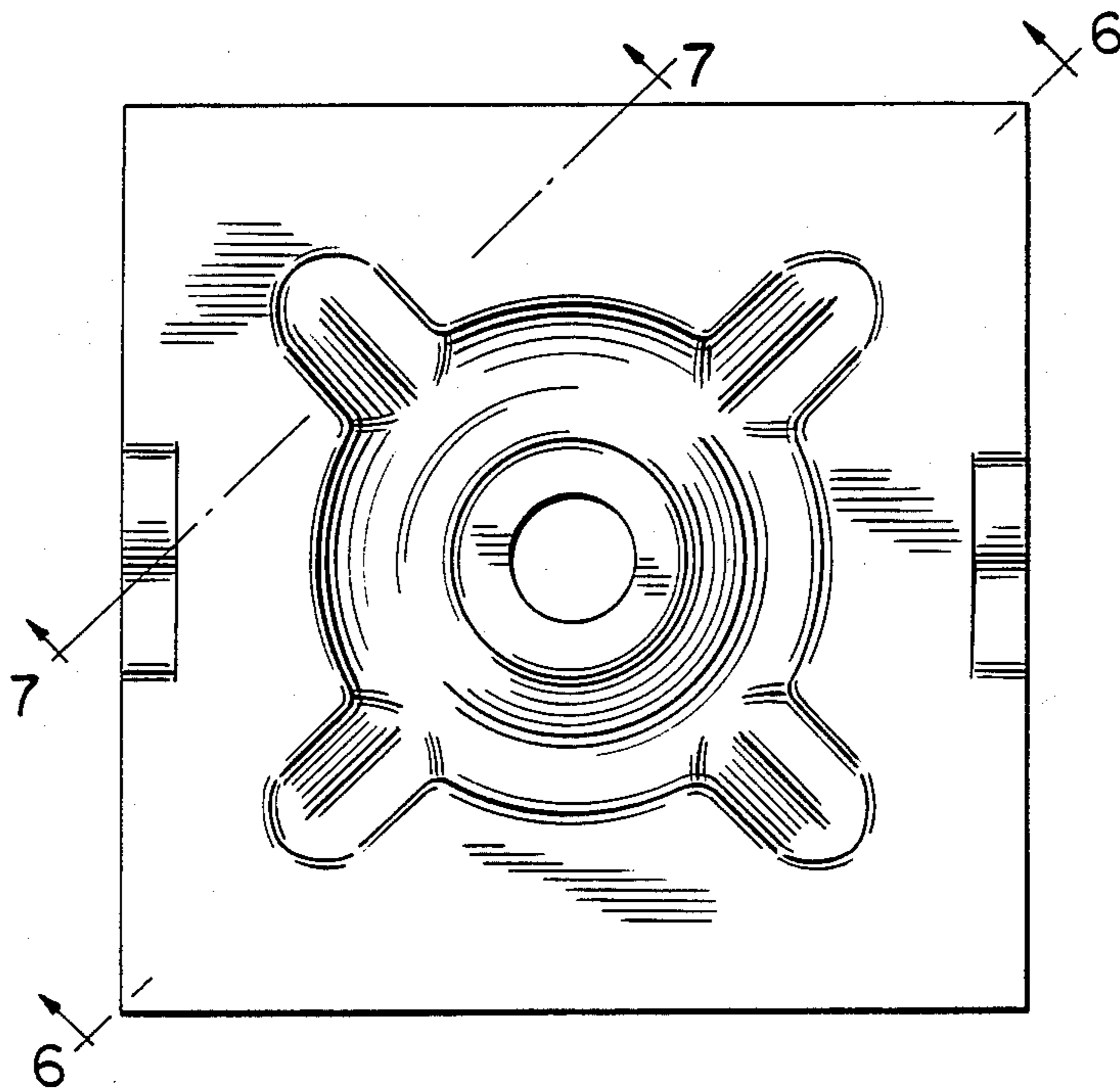


FIG. 2

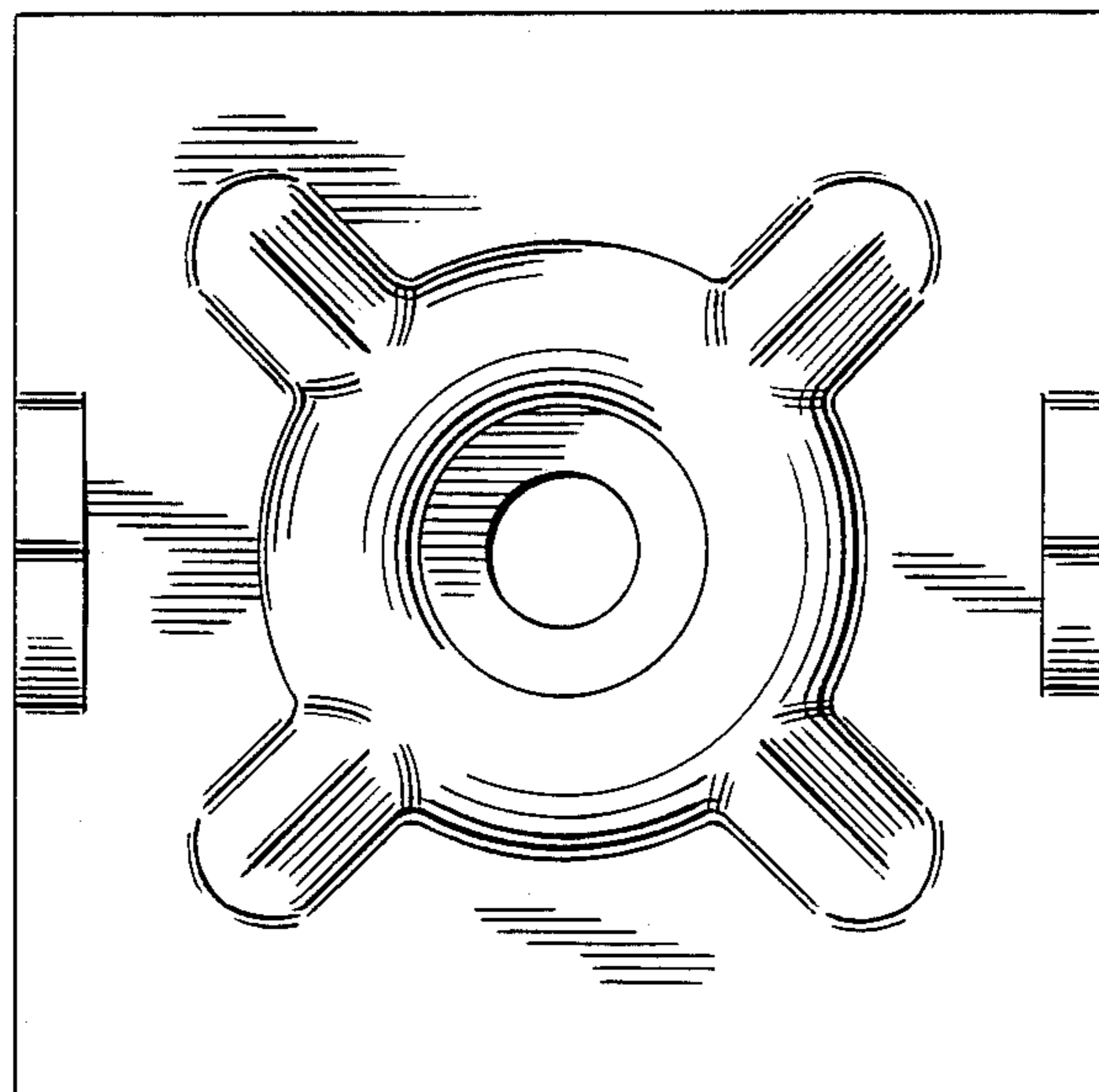


FIG. 3

FIG. 4



FIG. 5

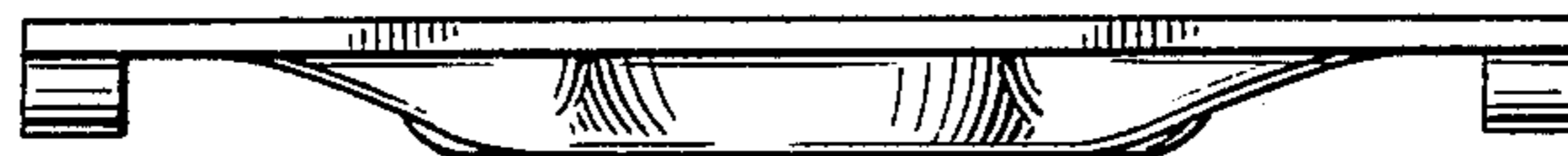


FIG. 6



FIG. 7

