

[54] BRACKET FOR CLOCK, FIGURE TOY OR SIMILAR ARTICLE

[76] Inventor: Randy L. Long, 100 N. Ohio St., Appleton City, Mo. 64724

[**] Term: 14 Years

[21] Appl. No.: 857,828

[22] Filed: Apr. 28, 1986

[52] U.S. Cl. D8/373; 248/115

[58] Field of Search D8/373, 380; D10/2; 248/114, 115, 205.3, 314, 309.1, 309.4; D12/192

[56] References Cited

U.S. PATENT DOCUMENTS

D. 129,998	10/1941	Lamothe	D10/2
D. 213,082	12/1968	Walker	D12/192
503,058	8/1893	McGriff	248/115
1,054,209	2/1913	Lune	248/115 X
1,083,915	1/1914	Braucher et al.	248/115 X
1,092,020	3/1914	Cavey	248/115
1,154,382	9/1915	Counter	248/115
1,315,326	9/1919	Palis	248/115
1,908,768	5/1933	Hodny	248/114
1,909,362	5/1933	Keith	248/114 X
1,970,073	8/1934	Binder	248/115 X
2,598,978	6/1952	DeMartin	248/114 X
2,848,183	8/1958	Olson	
3,291,427	12/1966	Hutchings	
3,312,435	4/1967	Malone	248/115

3,472,391	10/1969	Bolognesi	248/309.4 X
3,627,248	12/1971	Nelson	248/309.1
3,711,048	1/1973	Thalenfeld	248/309.1
3,722,843	3/1973	Enckler	248/309.1 X
3,727,868	4/1973	Buchanan	248/309.1
3,730,466	5/1973	Swanquist	248/216
4,067,532	1/1978	Viteretto	248/205.3 X
4,282,566	8/1981	Newman	248/605 X
4,457,053	7/1984	Niwa	248/205.3 X
4,605,292	8/1986	McIntosh	248/309.4 X

FOREIGN PATENT DOCUMENTS

79733	4/1919	Switzerland	248/115
-------	--------	-------------	-------	---------

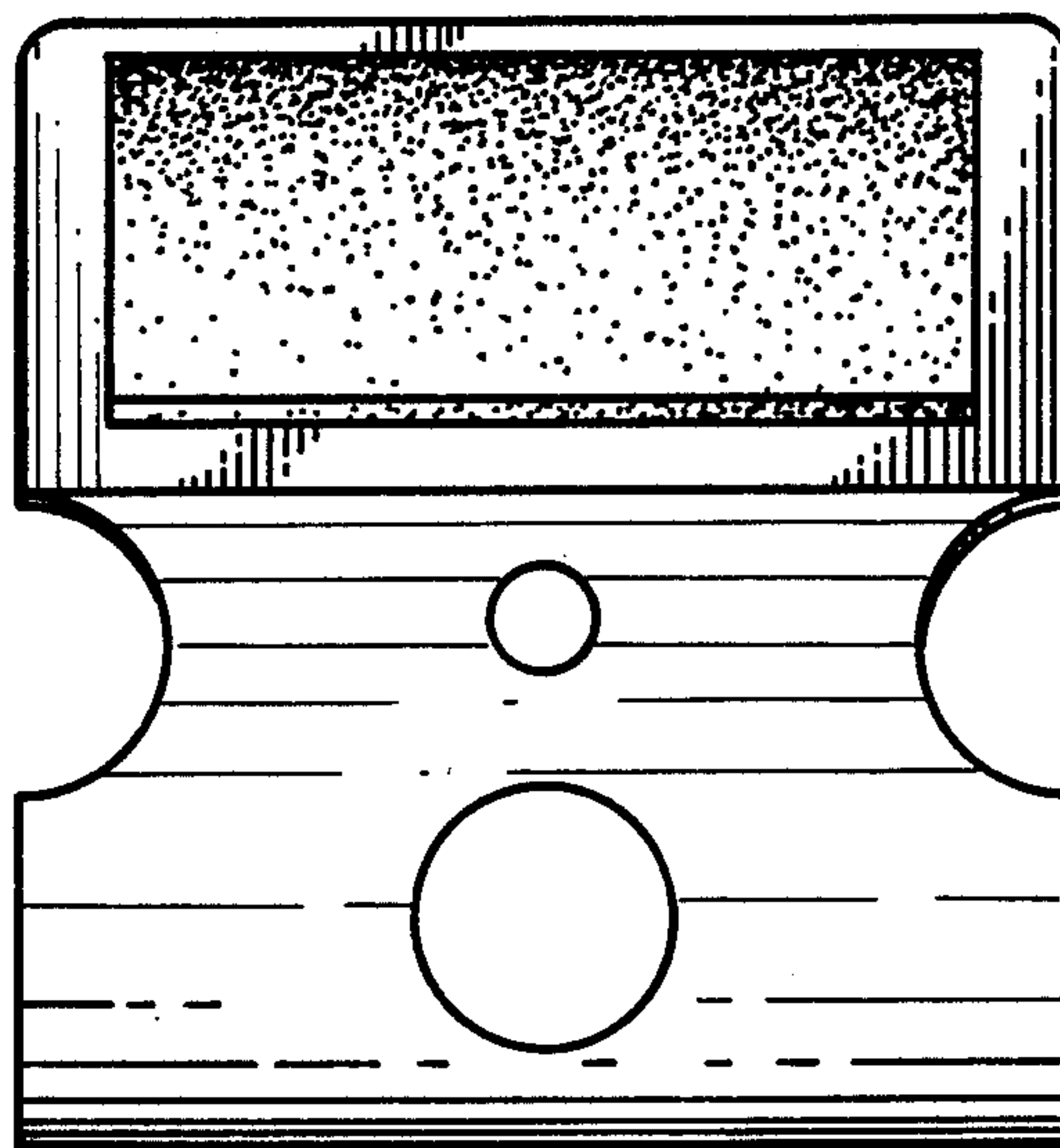
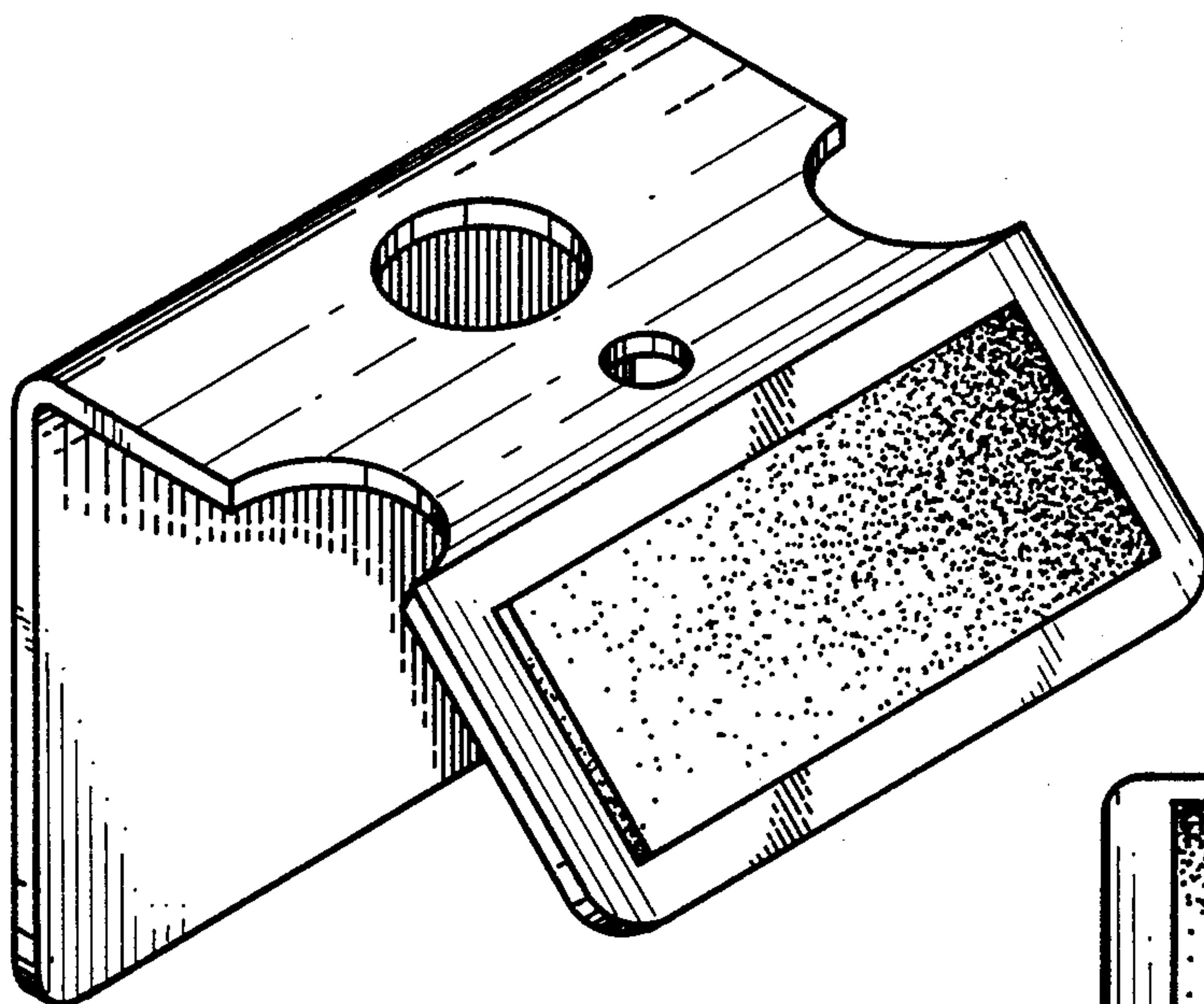
Primary Examiner—Horace B. Fay, Jr.
Attorney, Agent, or Firm—Terry M. Gernstein

[57] CLAIM

The ornamental design for a bracket for clock, figure toy or similar article, as shown and described.

DESCRIPTION

FIG. 1 is a left side, top and front isometric view of a bracket for clock, figure toy, or similar article showing my new design;
FIG. 2 is a rear elevational view thereof;
FIG. 3 is a right side elevational view thereof, the left side elevational view being a mirror image;
FIG. 4 is a top plan view thereof; and,
FIG. 5 is a front elevational view thereof.
The bottom surface of the bracket is plain and unadorned.



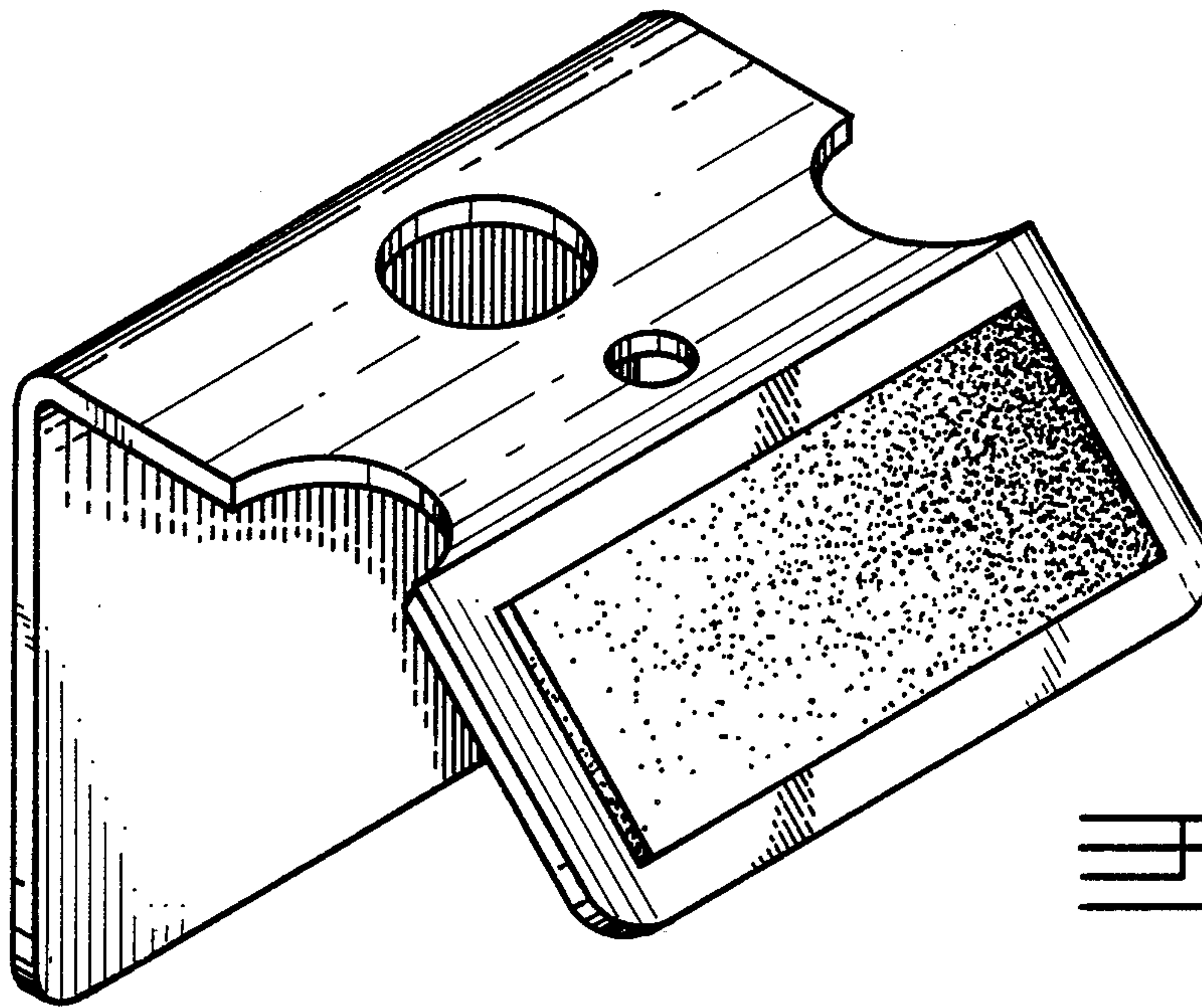


Fig. 1

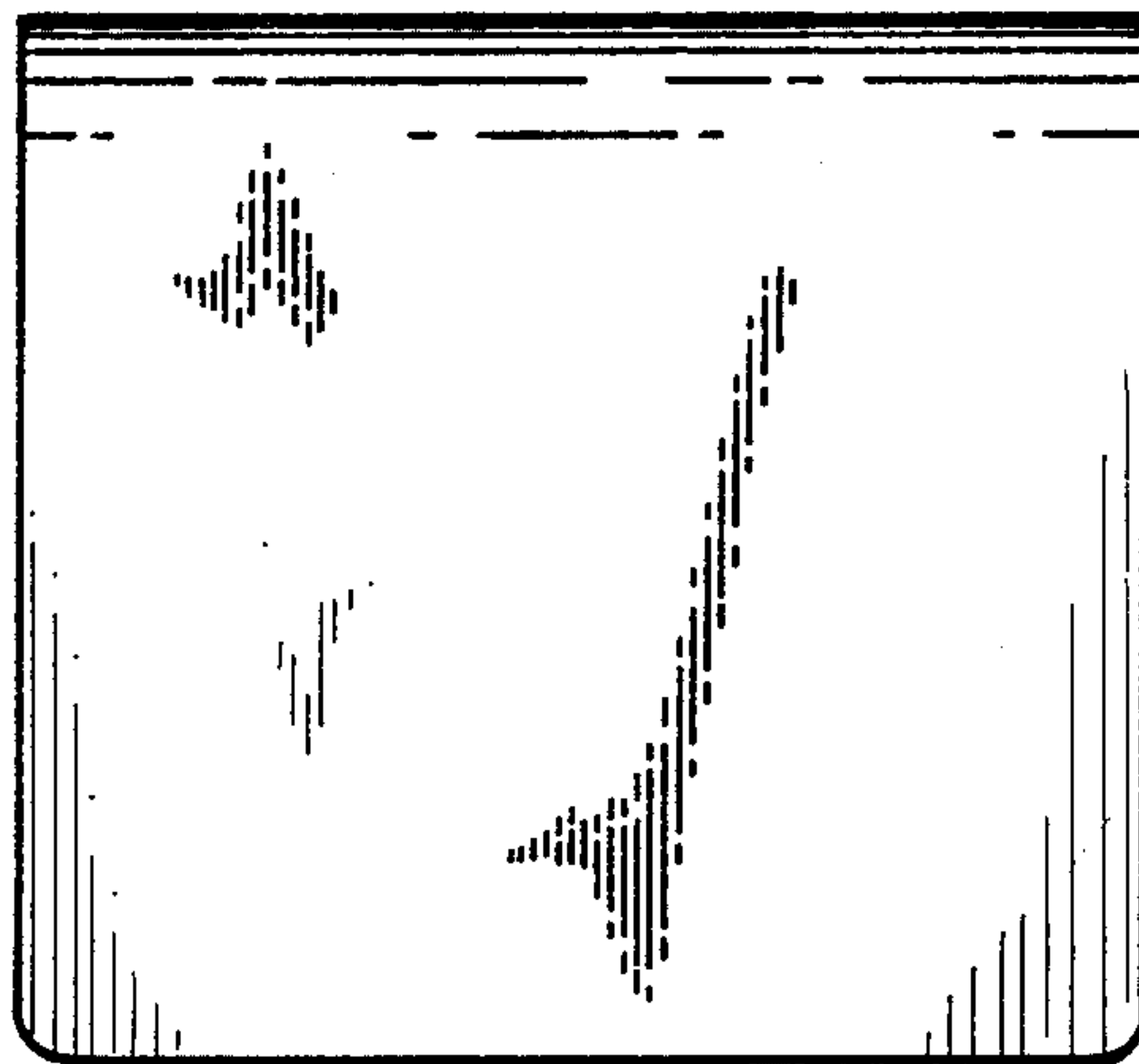
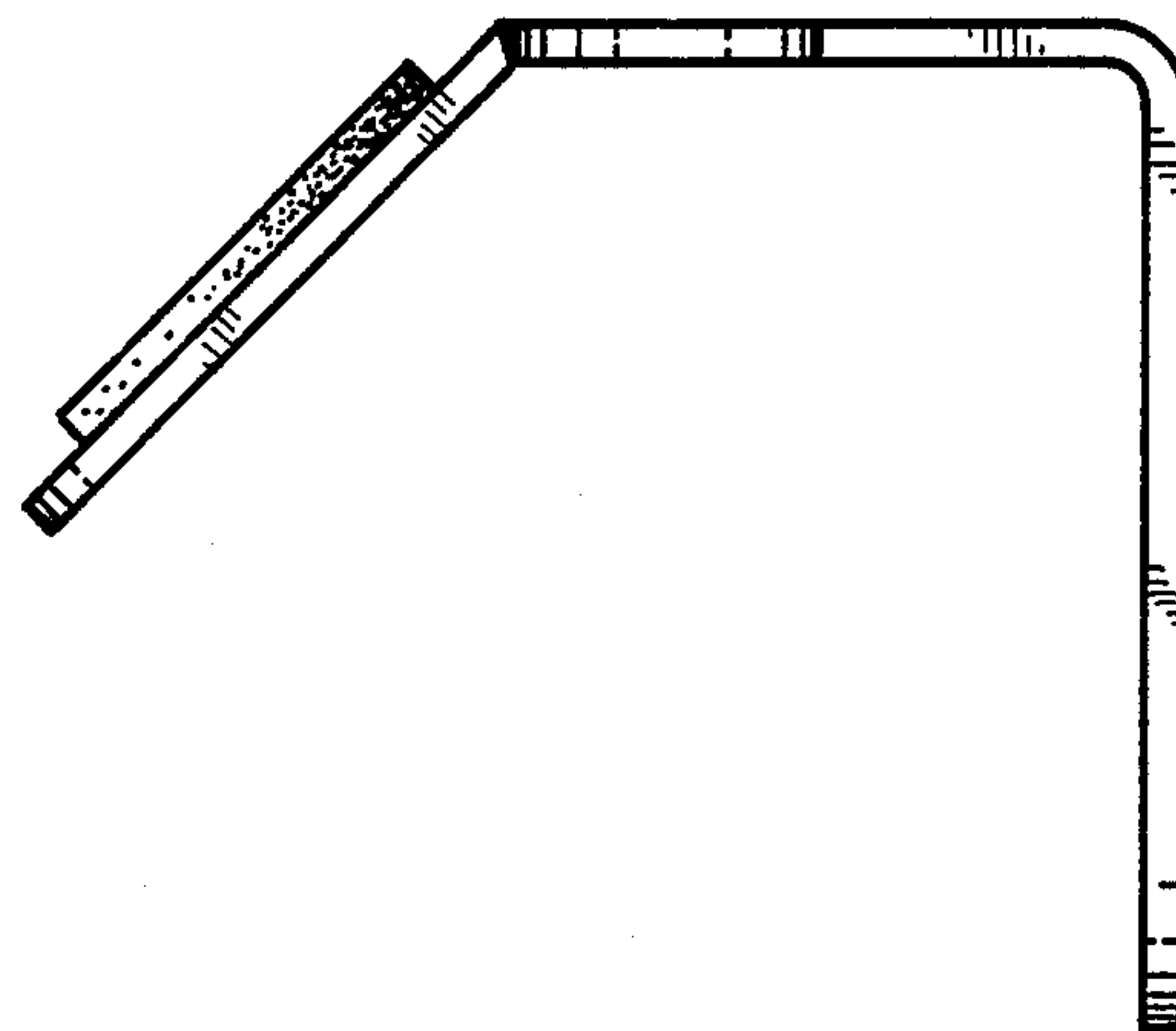


Fig. 2

Fig. 3



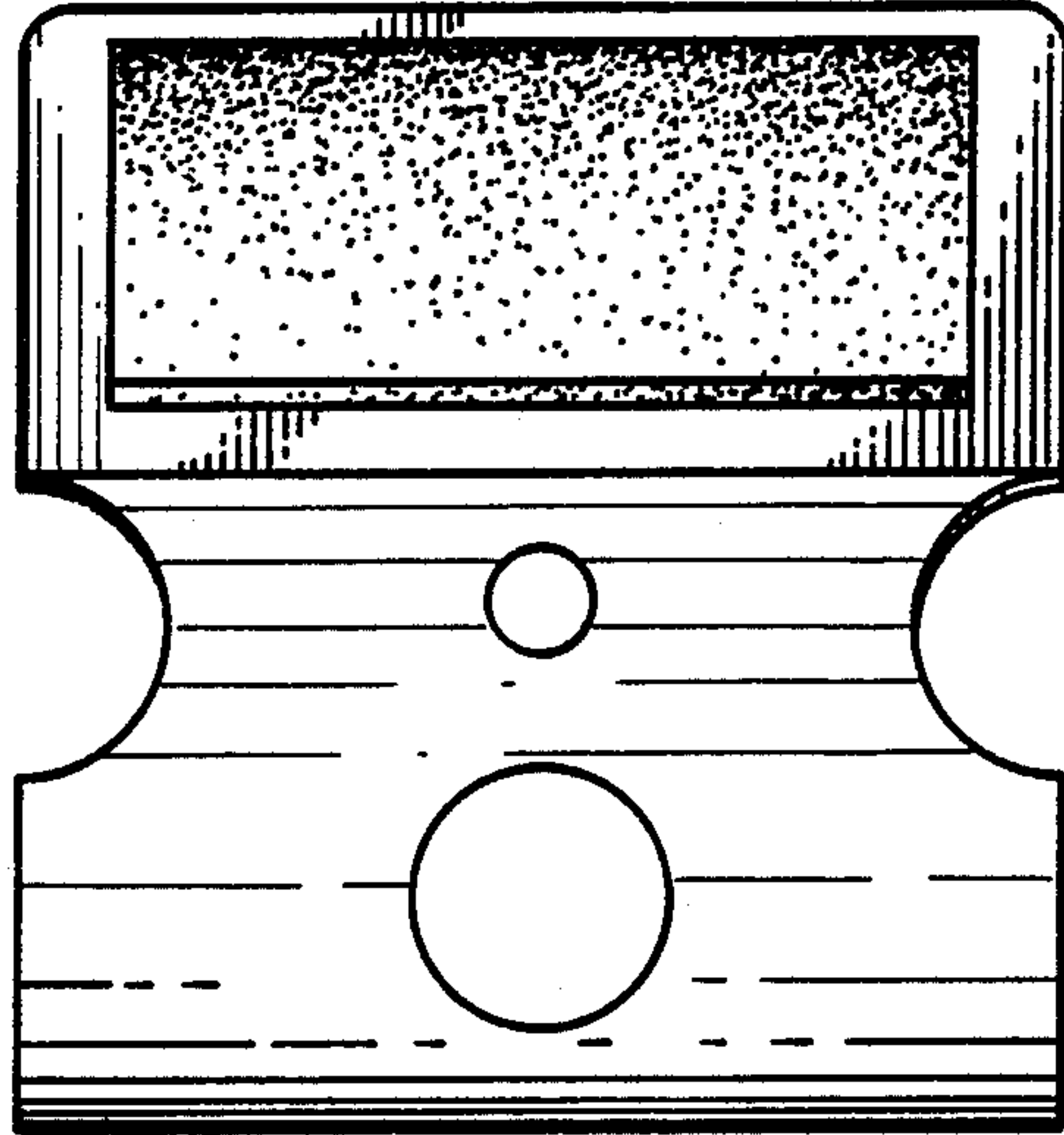


Fig. 4

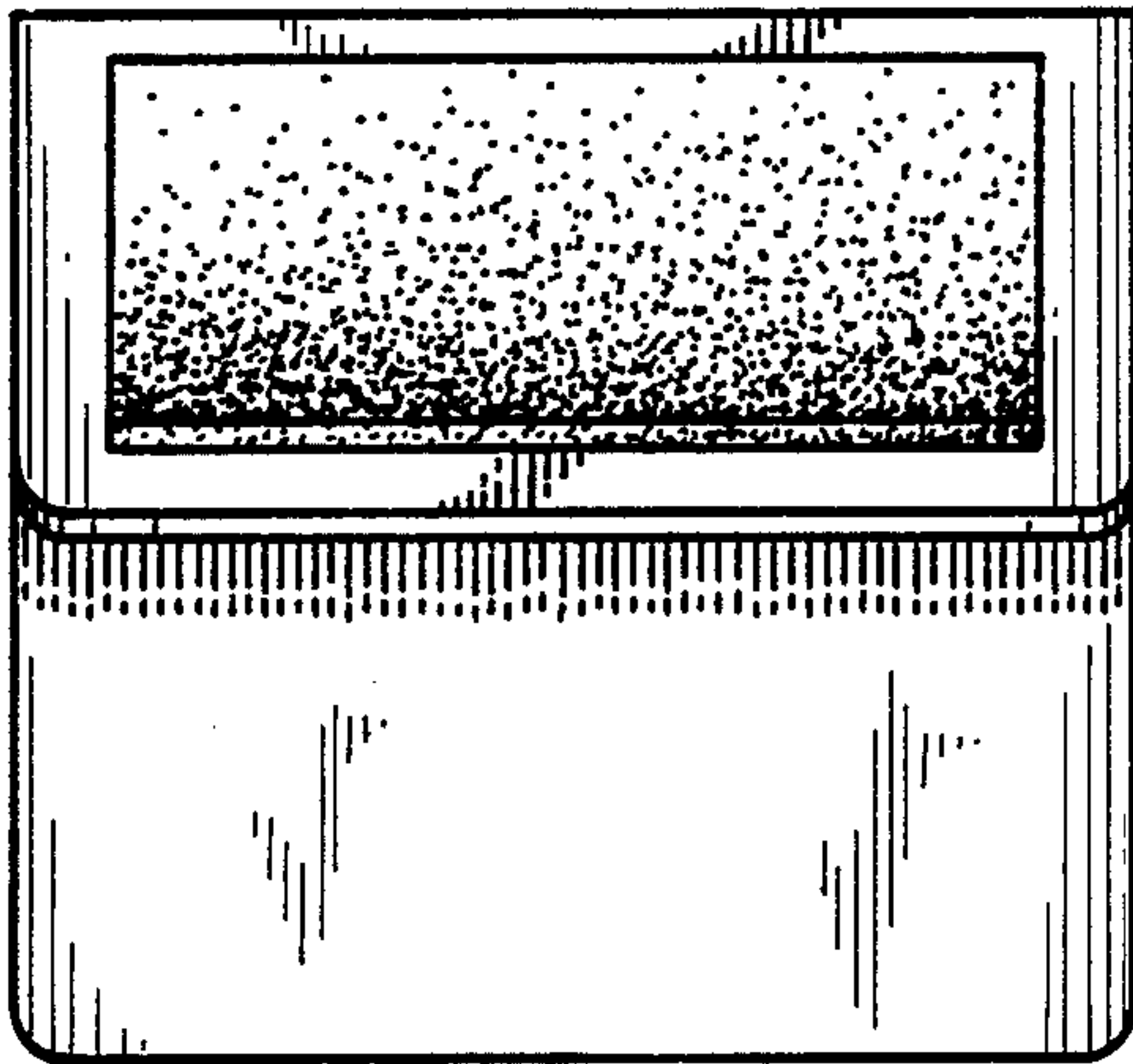


Fig. 5