

[54] SECURITY ALARM BRACKET

[75] Inventor: Dennis L. Vories, Valley Center, Calif.

[73] Assignee: F. B. Nutter Enterprises, Inc., San Bernardino, Calif.

[\*\*] Term: 14 Years

[21] Appl. No.: 845,826

[22] Filed: Mar. 25, 1986

[52] U.S. Cl. .... D8/373; D8/354; 248/311.2

[58] Field of Search ..... D8/373, 356; 248/311.2; 340/539

[56] References Cited

U.S. PATENT DOCUMENTS

D. 194,869	3/1963	Stall	.....	D8/373
D. 202,734	11/1965	Reeves	.....	D8/373
D. 228,622	10/1973	Juhlin	.....	D8/373
D. 228,877	10/1973	Hirt	.....	D8/373 X
D. 253,164	10/1979	Ingram	.....	D8/356 X

D. 268,494	4/1983	Cyrell	.....	D8/373 X
D. 281,951	12/1985	LaMeyer et al.	.....	D8/373
4,036,463	7/1977	Hopkins et al.	.....	248/311.2 X
4,154,010	5/1979	Evans	.....	248/311.2 X
4,191,351	3/1980	Goyne	.....	248/311.2
4,389,635	6/1983	Gallagher	.....	340/539 X
4,696,448	9/1987	Mazloom et al.	.....	248/311.2
4,755,792	7/1988	Pezzolo et al.	.....	340/539 X

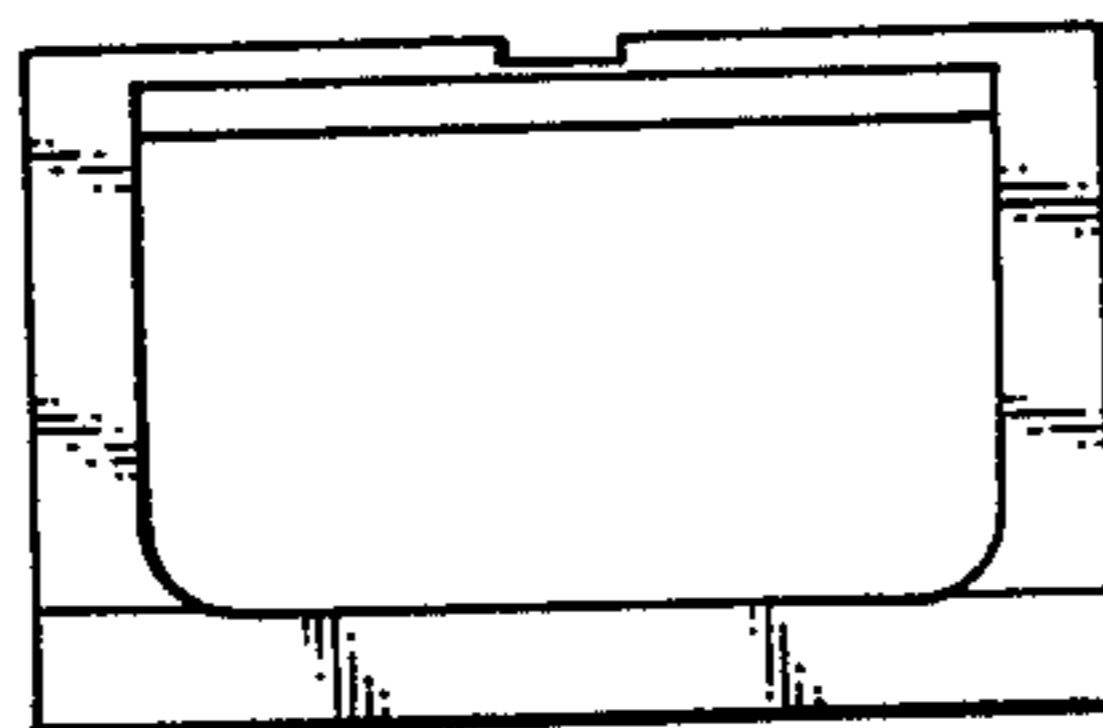
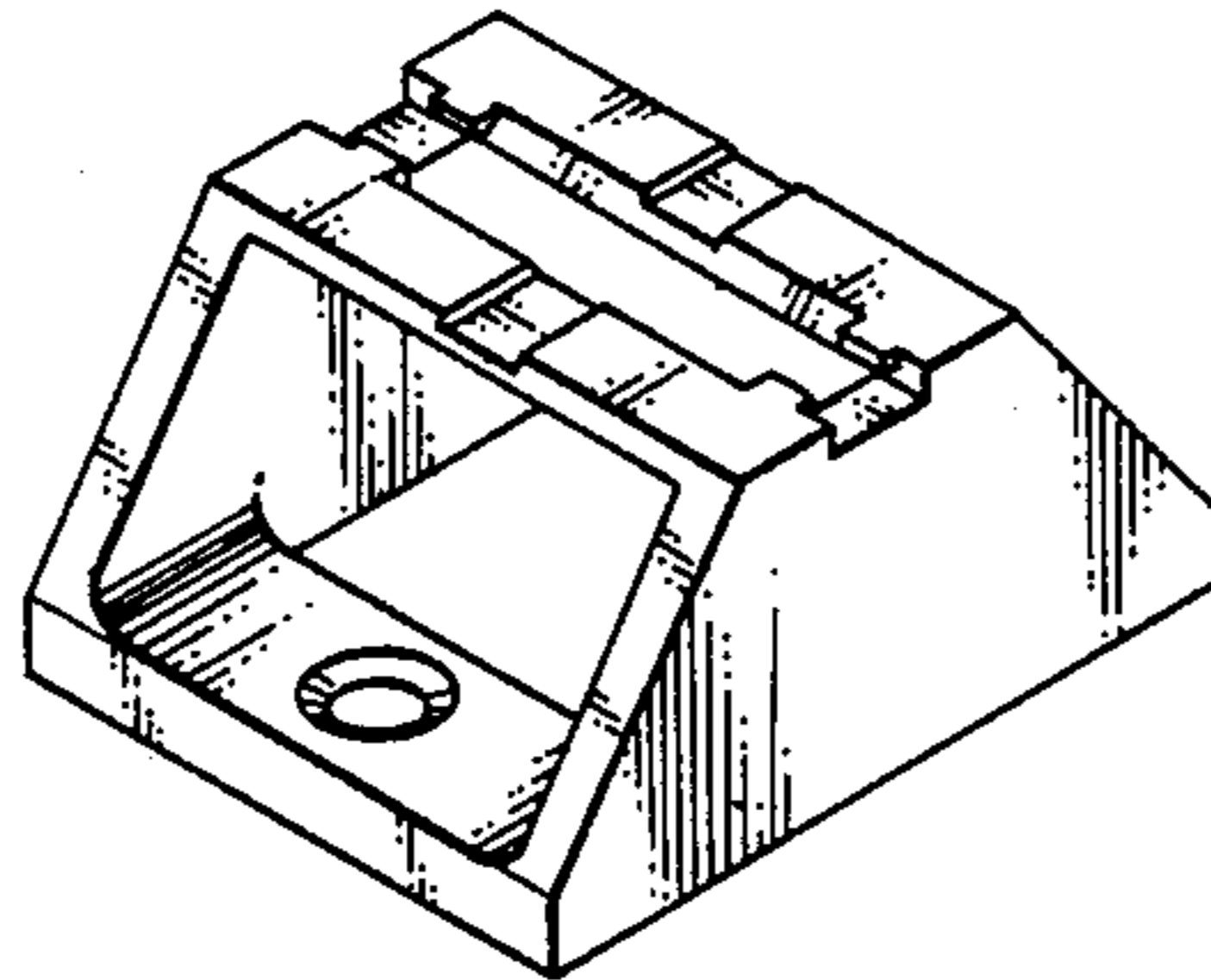
Primary Examiner—Horace B. Fay, Jr.  
Attorney, Agent, or Firm—Christie, Parker & Hale

[57] CLAIM

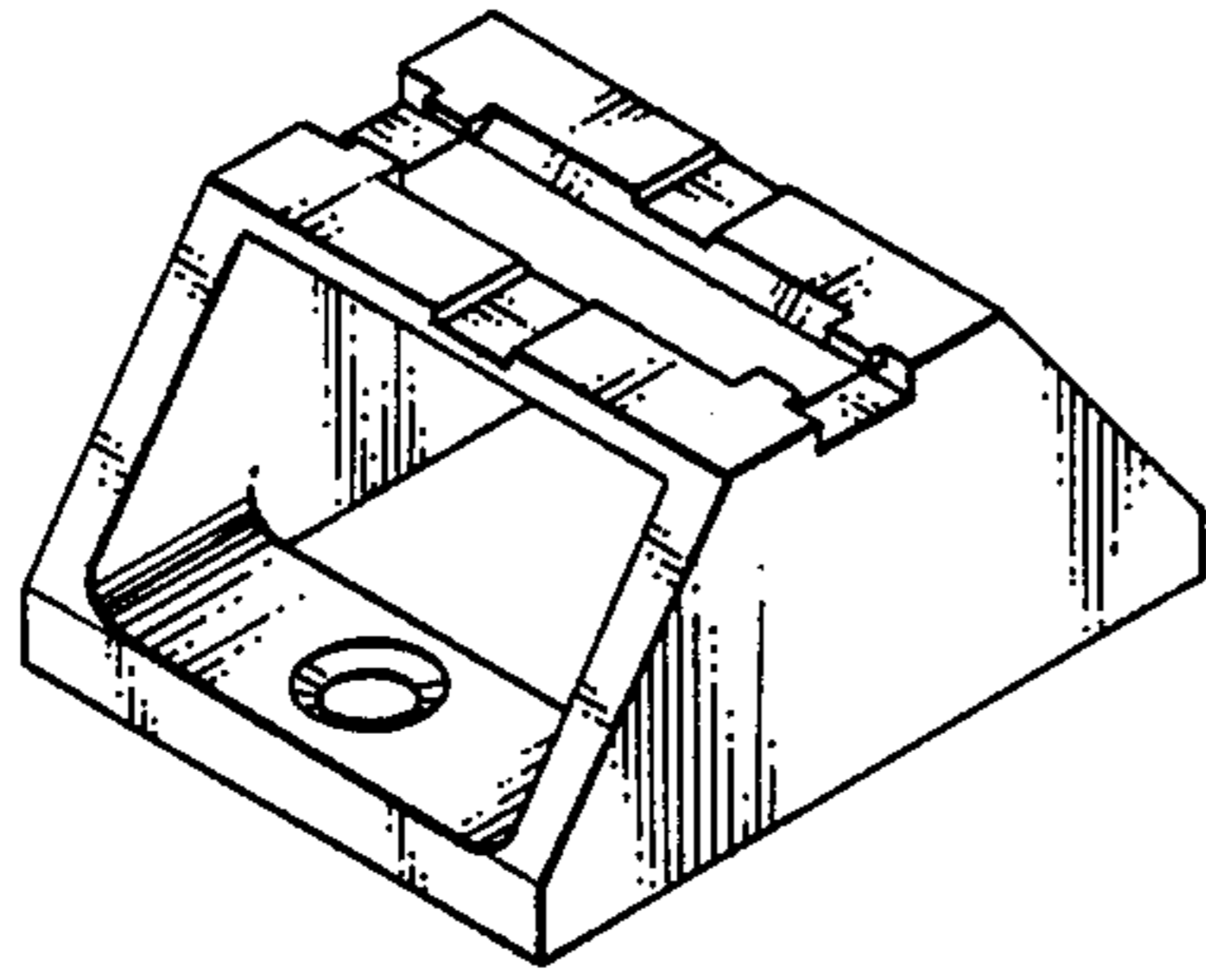
The ornamental design for a security alarm bracket, as shown and described.

DESCRIPTION

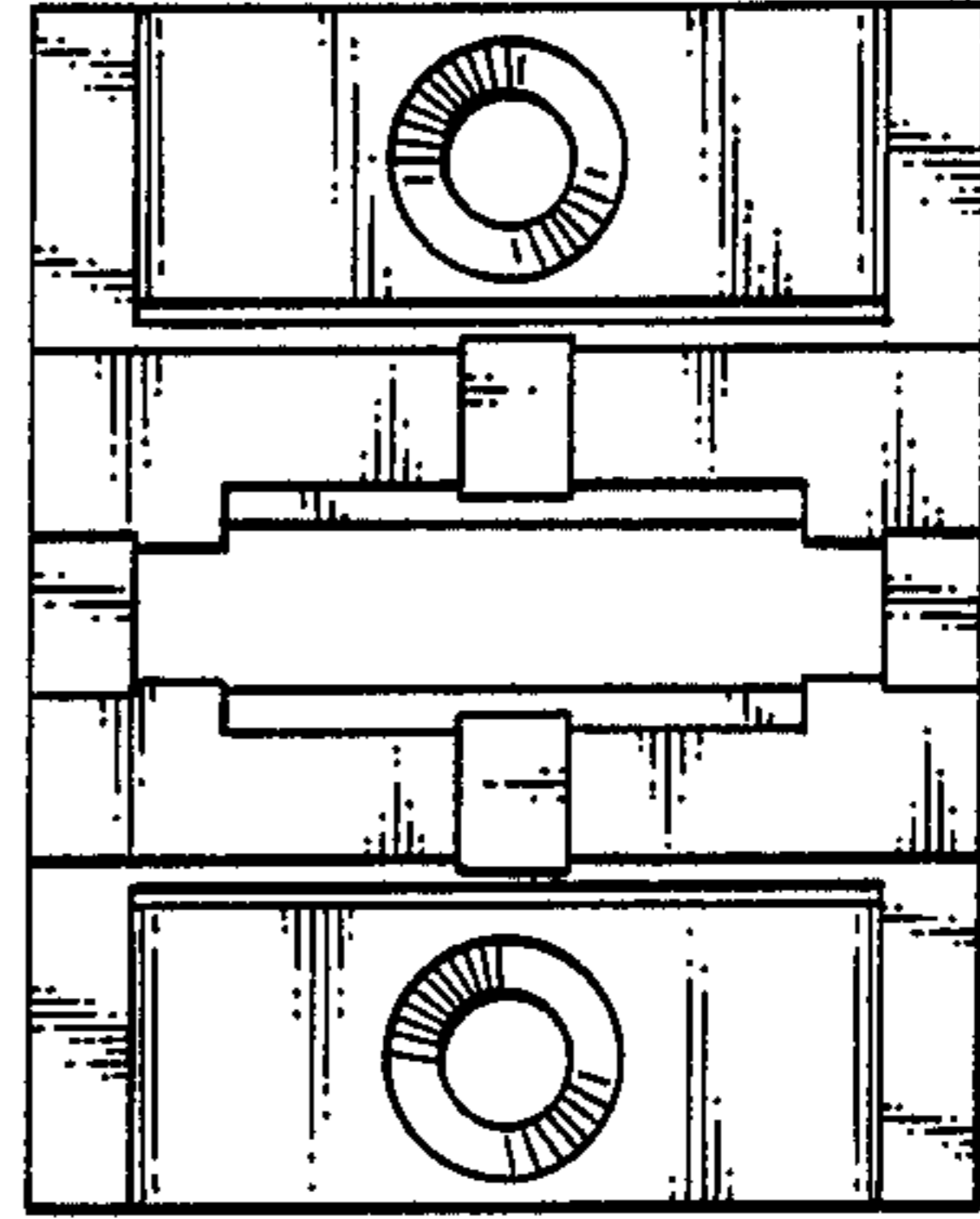
FIG. 1 is a front, top and right side perspective view of a security alarm bracket showing my new design; FIG. 2 is a top plan view thereof; FIG. 3 is a front elevational view thereof, the rear elevational view being a mirror image; FIG. 4 is a bottom plan view thereof; and FIG. 5 is a side elevational view thereof, the side elevational view opposite being a mirror image thereof.



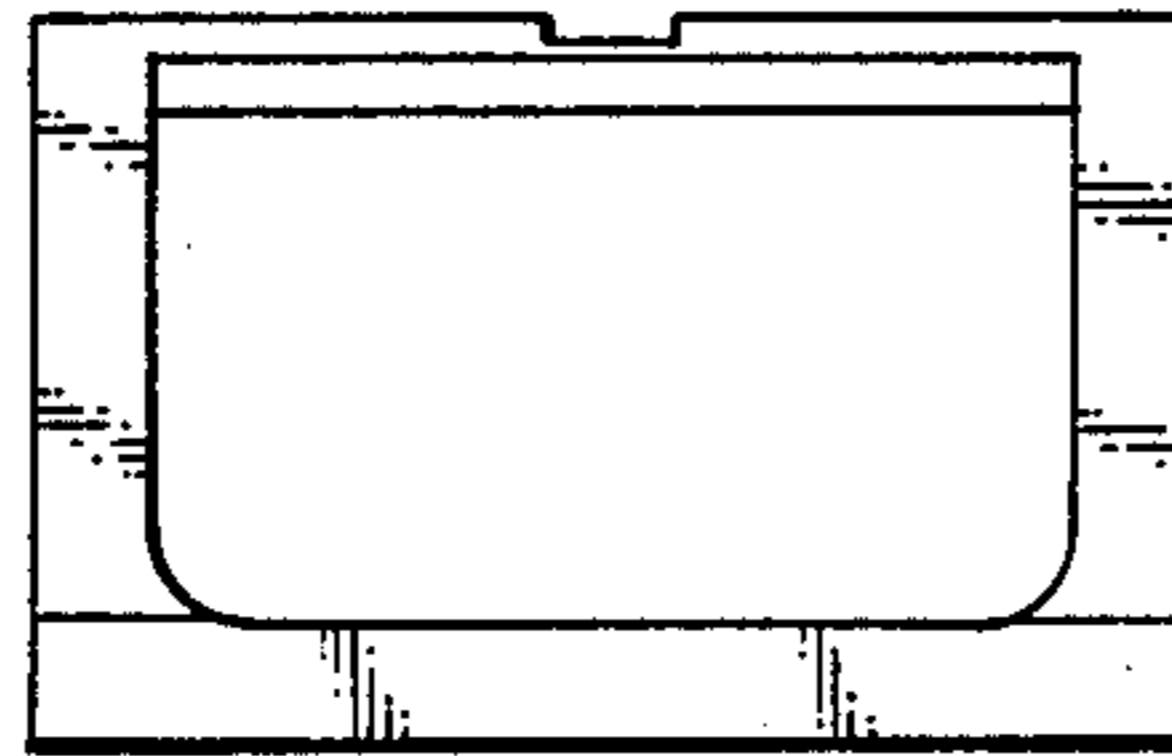
*Fig. 1*



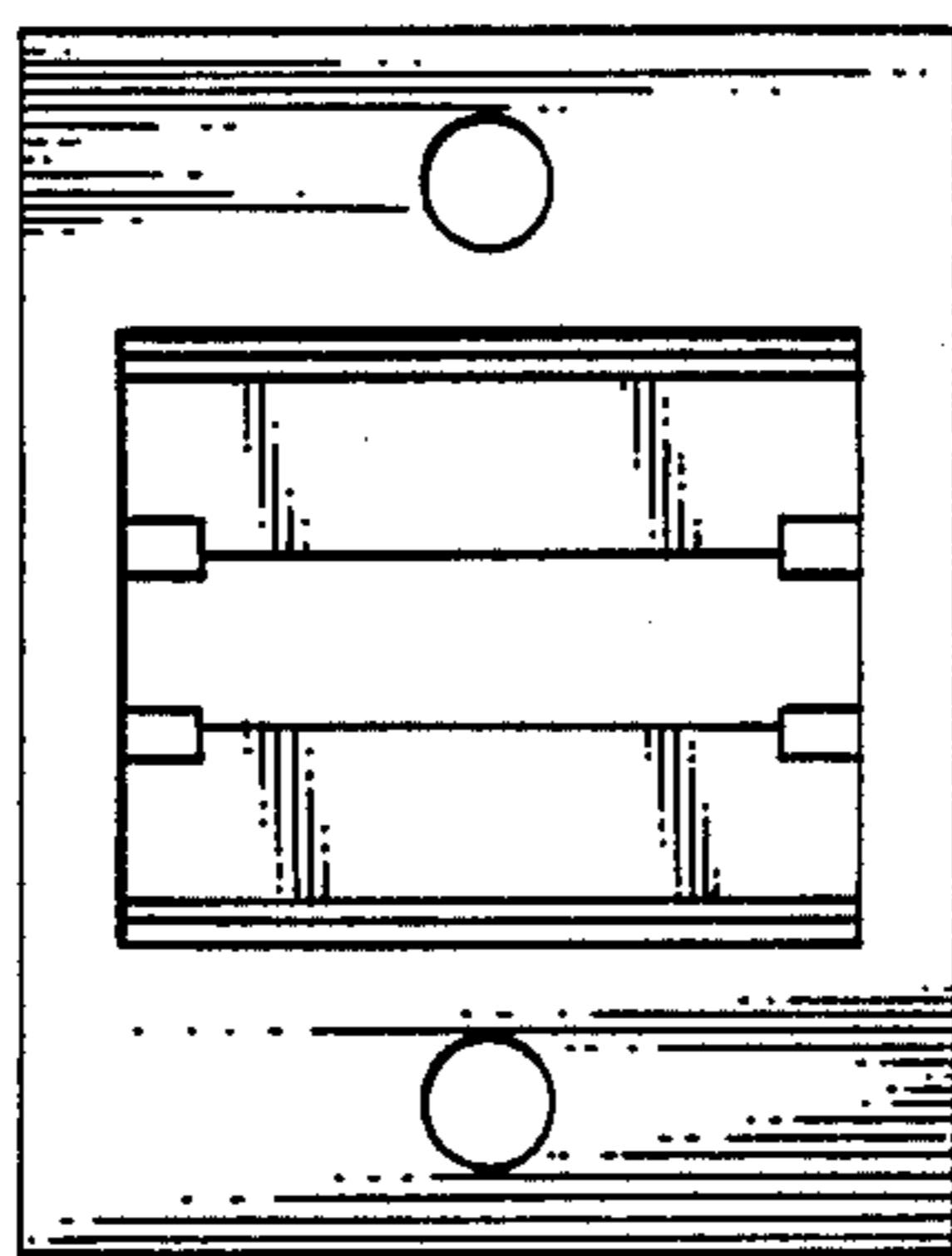
*Fig. 2*



*Fig. 3*



*Fig. 4*



*Fig. 5*

