

[54] LOCKBOX FOR VIDEOTAPES OR THE LIKE

[76] Inventor: Will H. Gardenswartz, 6255 Habitat Dr., #3022, Boulder, Colo. 80301

[\*\*] Term: 14 Years

[21] Appl. No.: 109,695

[22] Filed: Oct. 16, 1987

[52] U.S. Cl. .... D8/333

[58] Field of Search ..... D8/330-348; 70/20, 24, 51-52, 54-58, 401

[56] References Cited

U.S. PATENT DOCUMENTS

3,131,985	5/1964	Blonder	70/57 X
3,436,937	4/1969	Barrett	D8/334 X
4,462,317	7/1984	Franko et al.	D8/330 X
4,468,940	9/1984	Davis	D8/330 X
4,573,332	3/1986	Ma	D8/330 X
4,584,856	4/1986	Petersdorff et al.	70/57
4,716,745	1/1988	Hehn	70/401 X

Primary Examiner—Wallace R. Burke

Assistant Examiner—Brian N. Vinson

Attorney, Agent, or Firm—Ralph F. Crandell

[57] CLAIM

The ornamental design for a lockbox for videotapes or the like, as shown and described.

DESCRIPTION

FIG. 1 is a top, front and left side perspective view of a lockbox for videotapes or the like showing my new design;

FIG. 2 is a top, rear and left side perspective view thereof;

FIG. 3 is a front elevational view thereof;

FIG. 4 is a rear elevational view thereof;

FIG. 5 is a right side elevational view thereof;

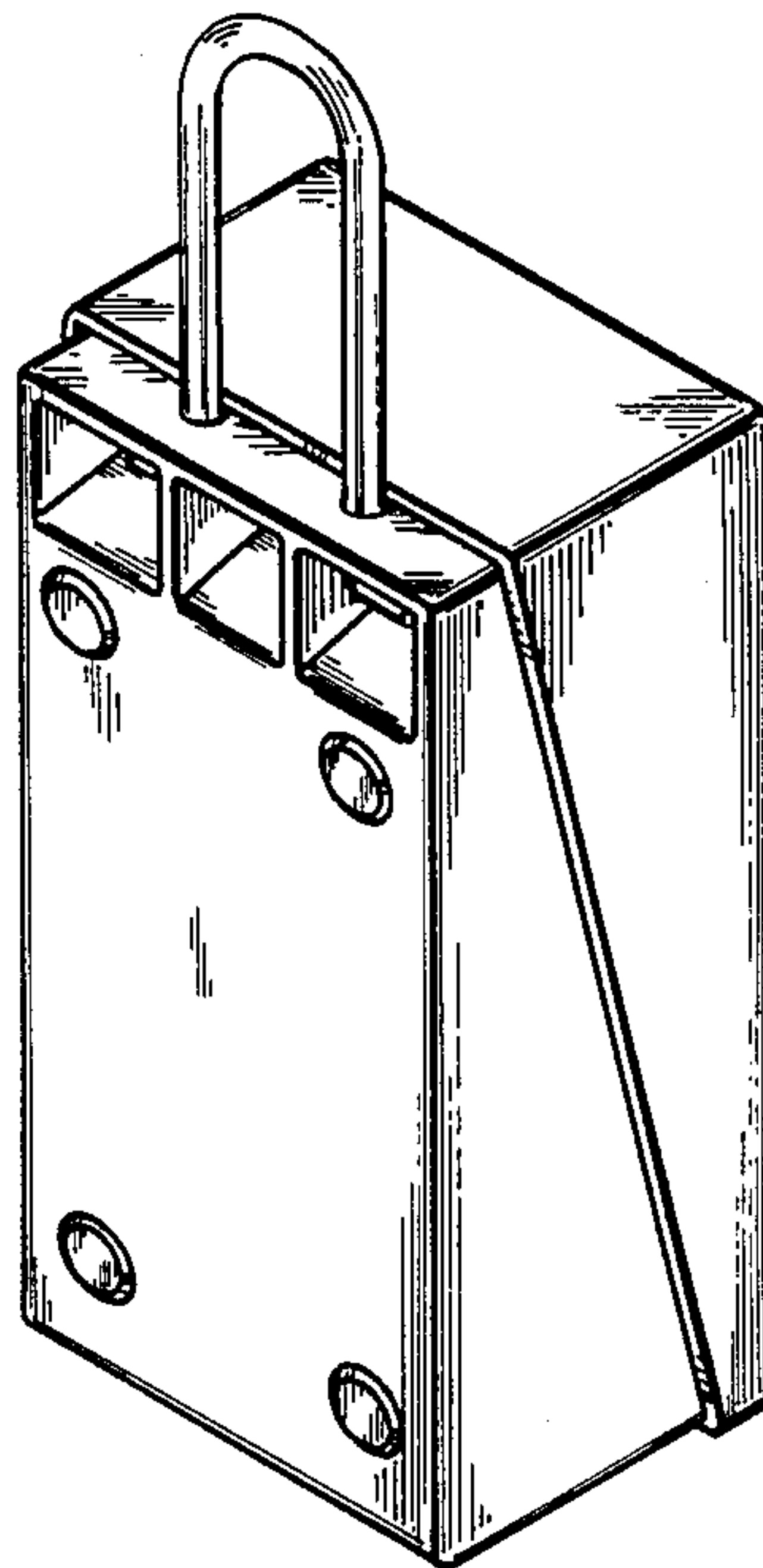
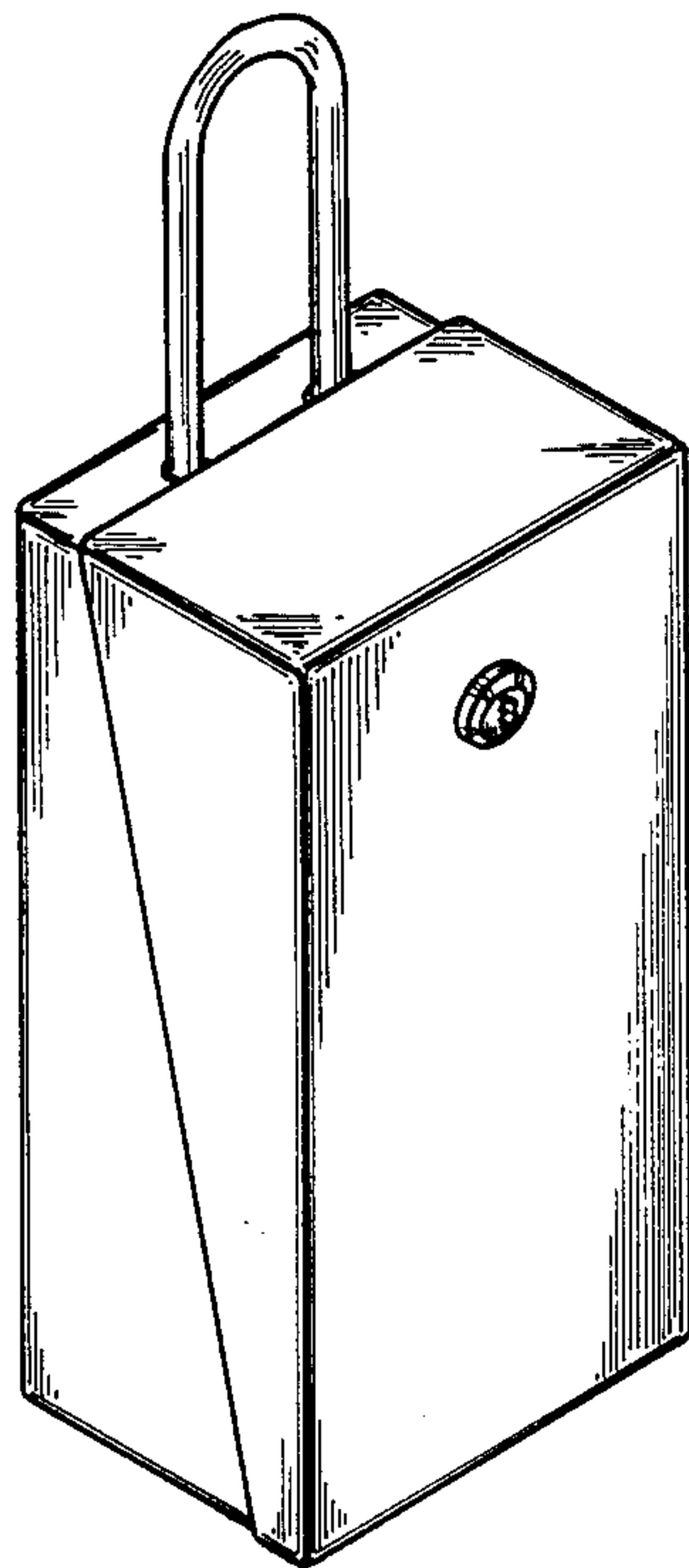
FIG. 6 is a top plan view thereof;

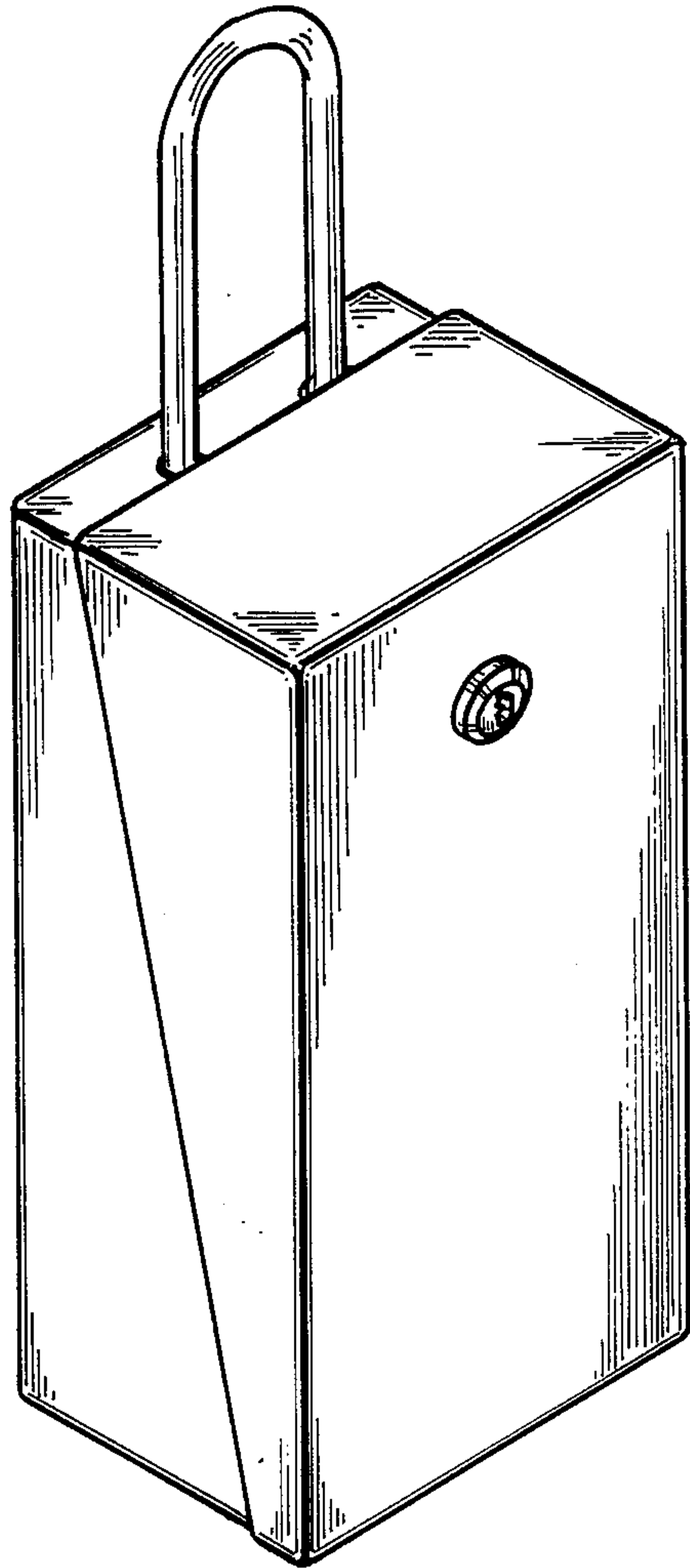
FIG. 7 is a bottom plan view thereof;

FIG. 8 is a rear elevational view of the front portion thereof, the rear portion being omitted for clarity of illustration;

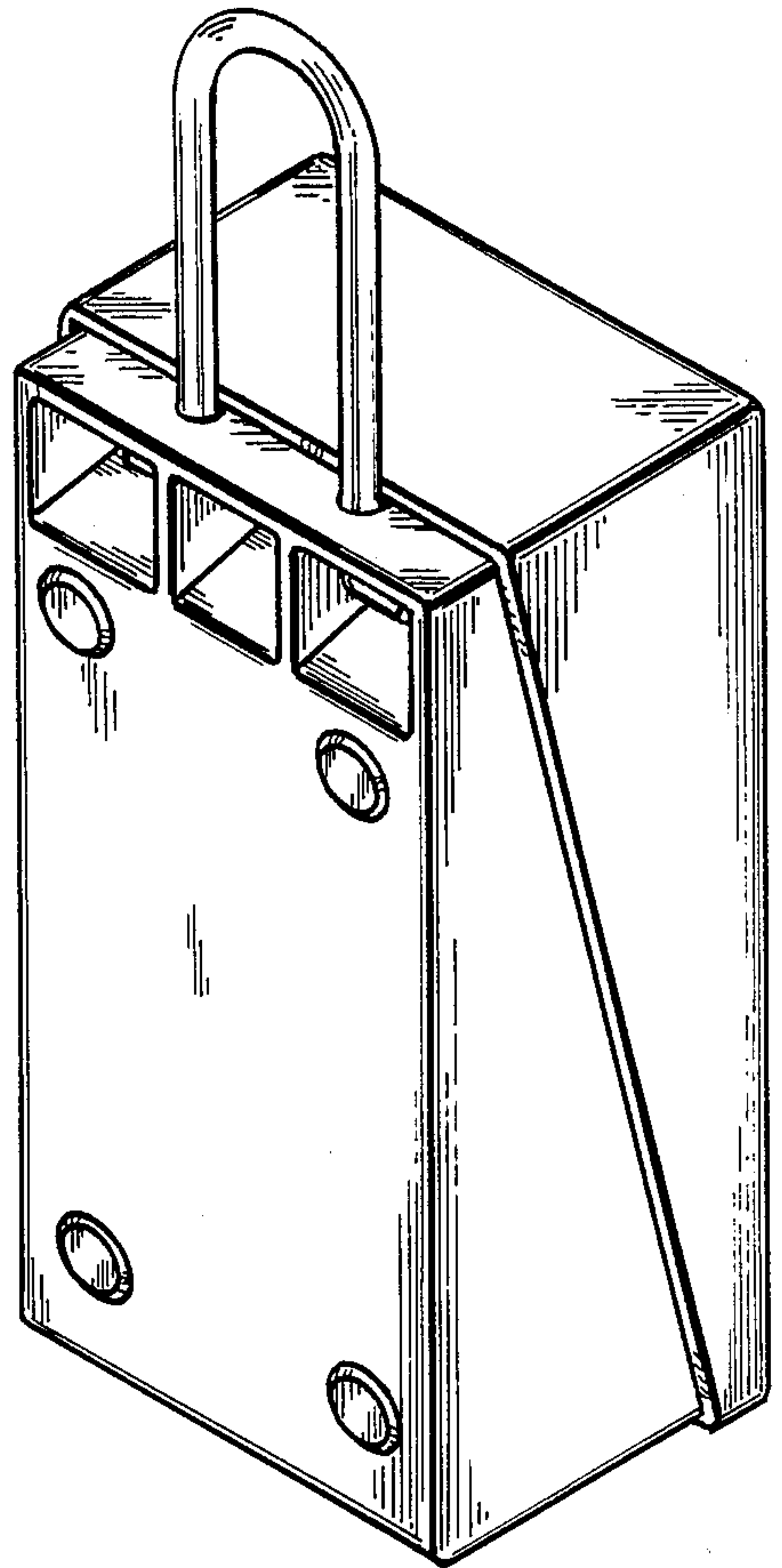
FIG. 9 is a front elevational view of the rear portion thereof; the front portion being omitted for clarity of illustration; and

FIG. 10 is an exploded top, front and left side perspective view thereof.

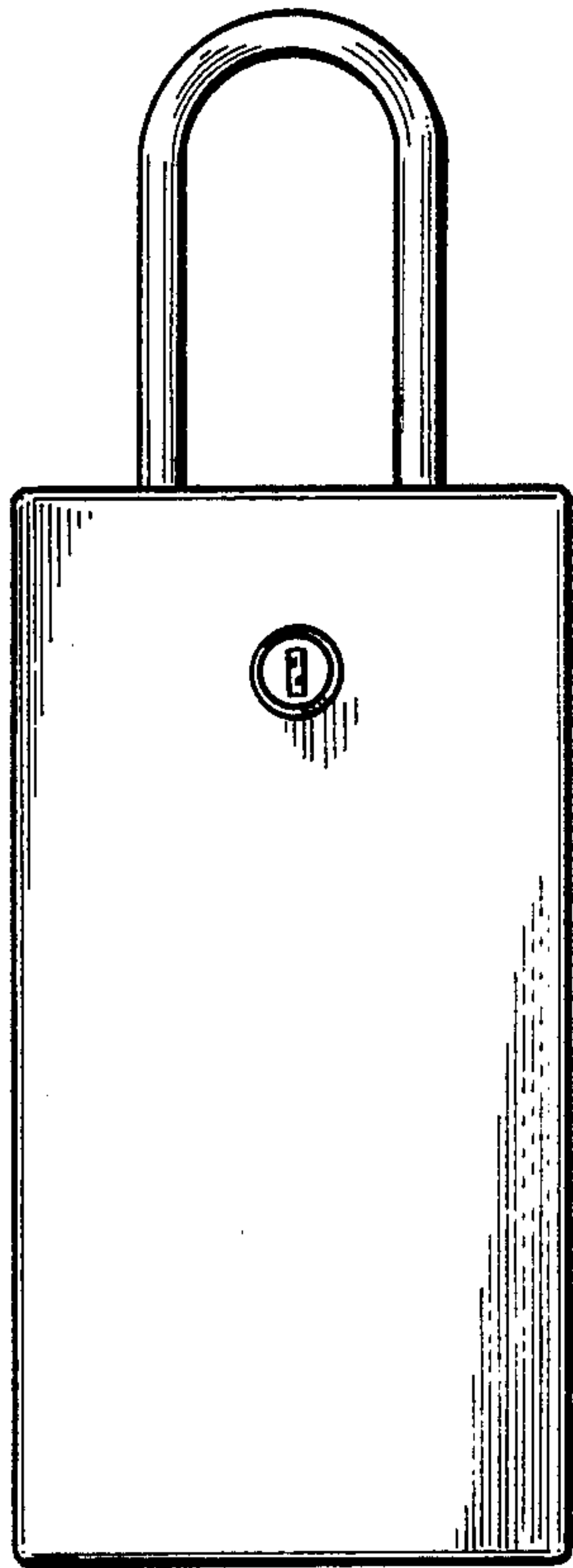




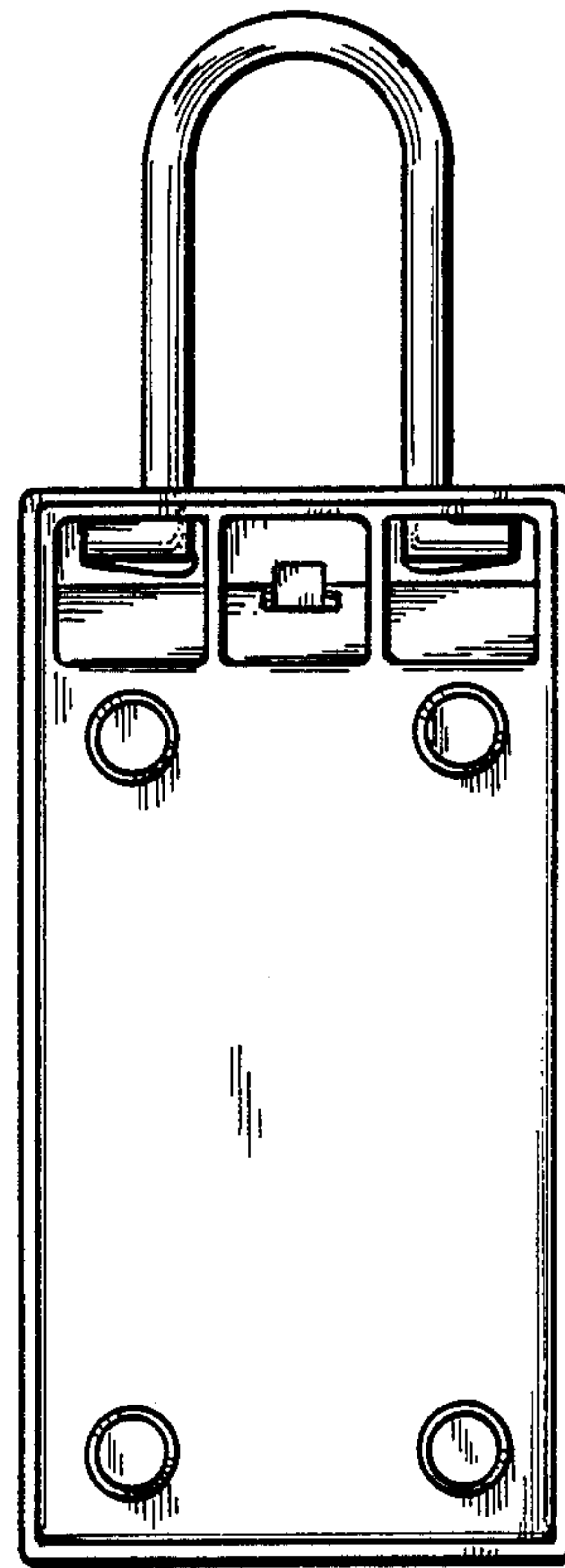
*Fig\_1*



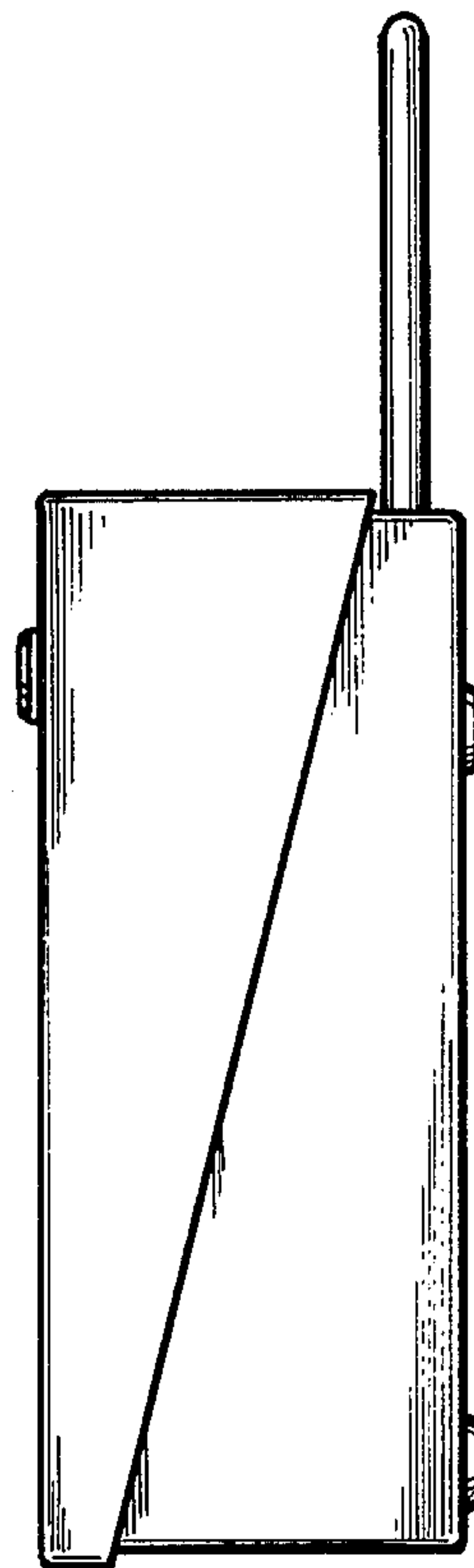
*Fig\_2*



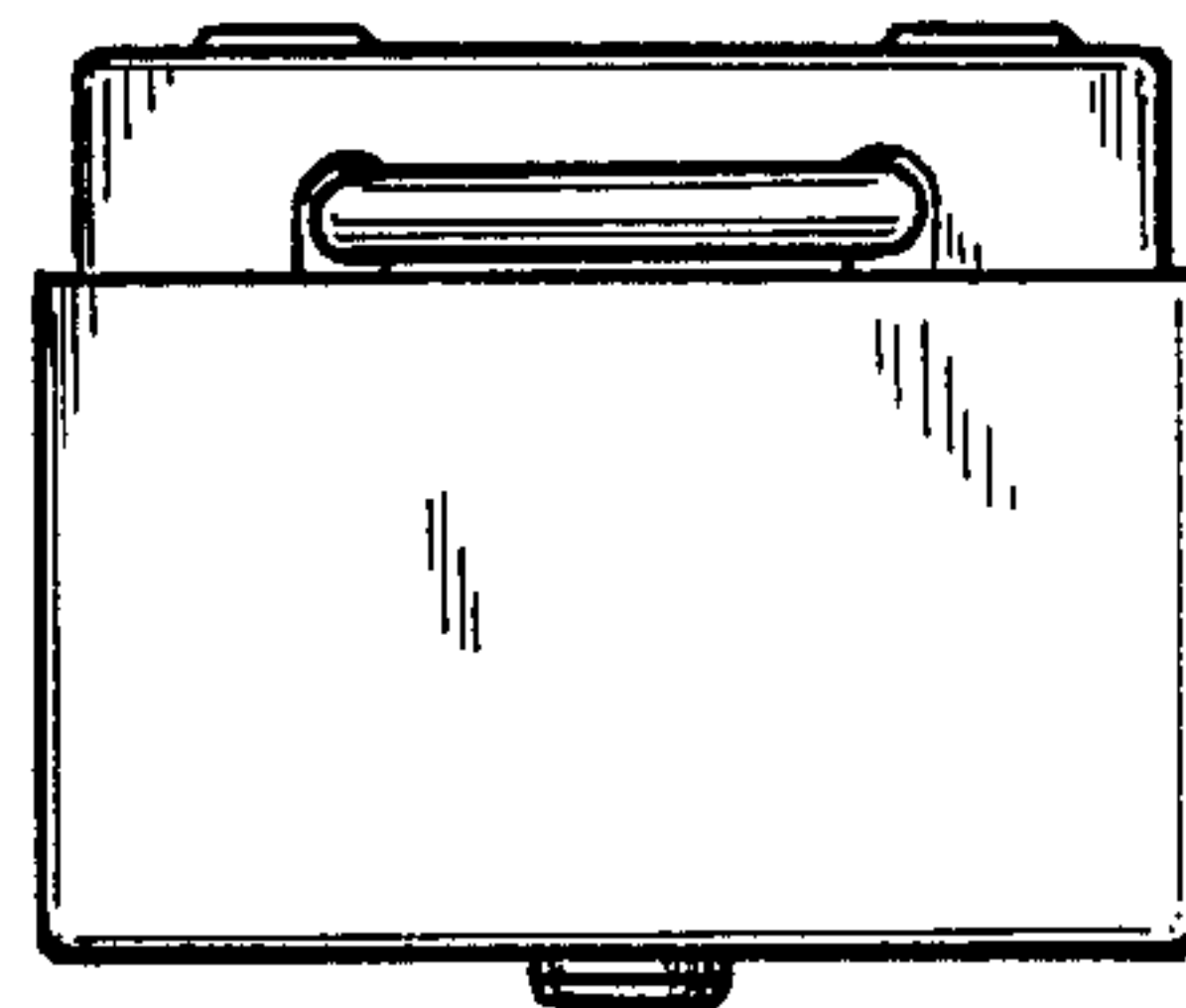
*Fig. 3*



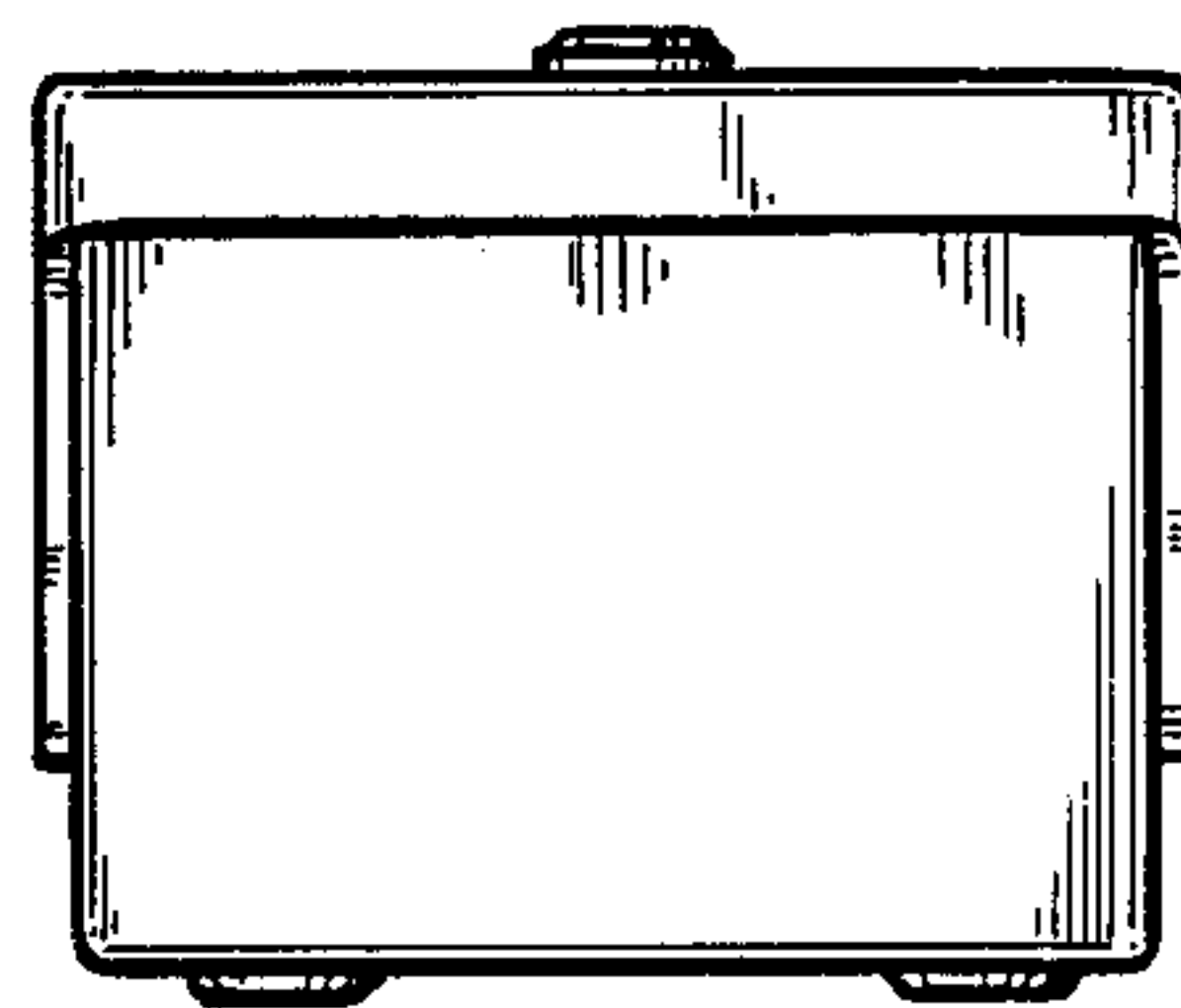
*Fig. 4*



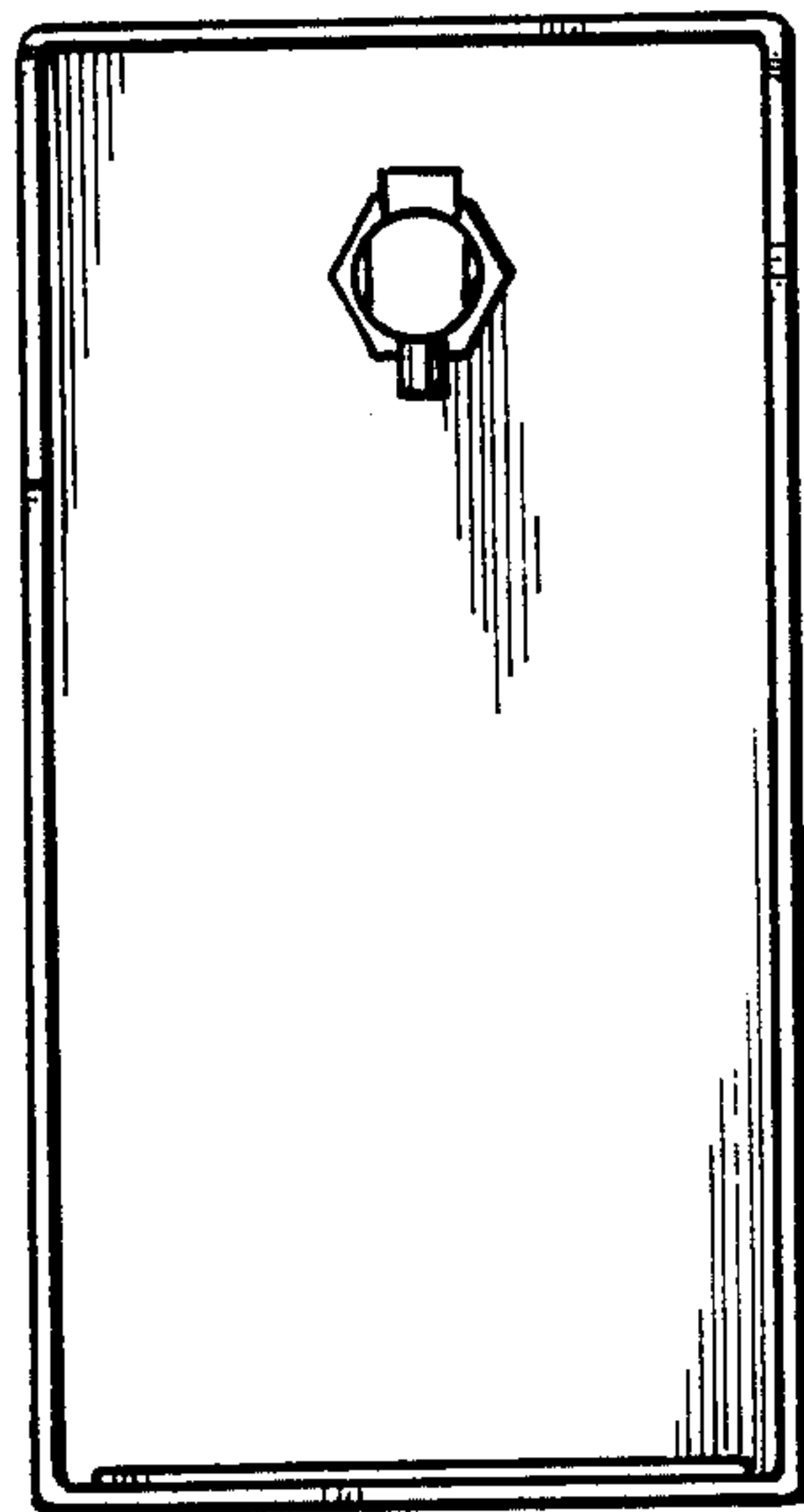
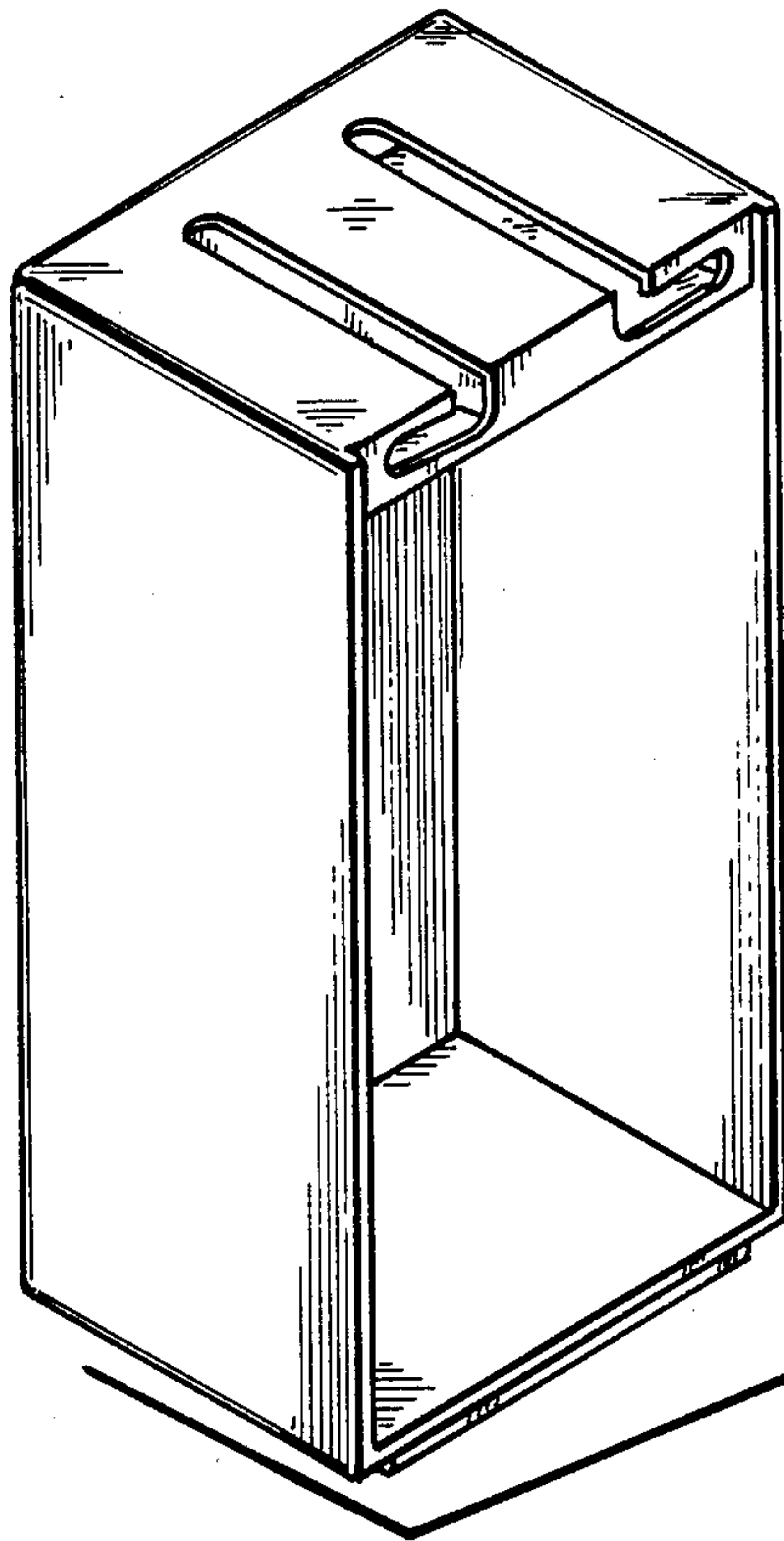
*Fig. 5*



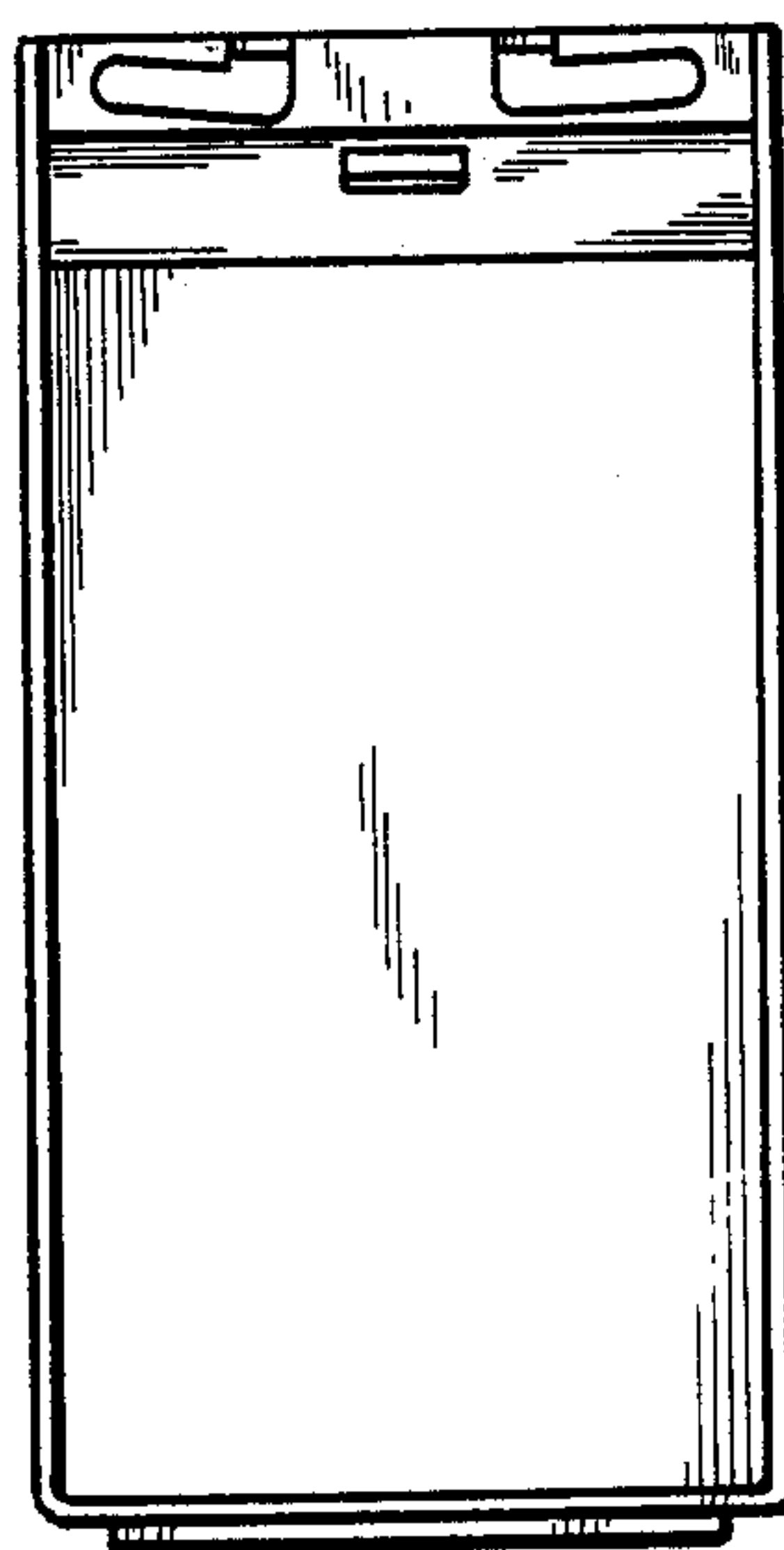
*Fig. 6*



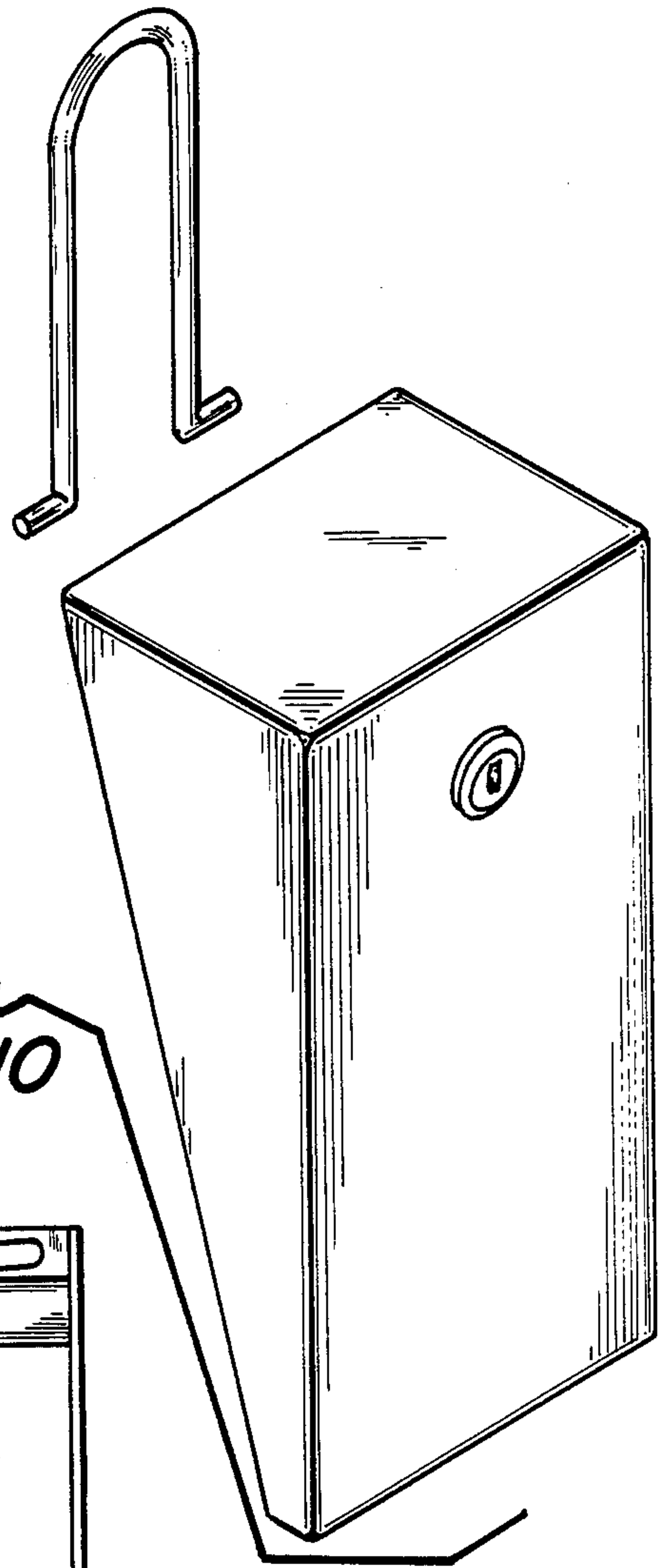
*Fig. 7*



*Fig\_8*



*Fig\_9*



*Fig\_10*