

[54] COMBINED HAMMER AND HATCHET

[76] Inventor: Nick Kokkinos, 423 N. Pinellas Ave., Tarpon Springs, Fla. 33589

[\*\*] Term: 14 Years

[21] Appl. No.: 805,369

[22] Filed: Nov. 18, 1985

[52] U.S. Cl. .... D8/75; D8/76; D8/105

[58] Field of Search ..... D8/75-81, D8/105, 20; 7/143-145; 30/155, 308, 308.1, 308.2, 308.3; 254/26 R; 81/19-27, 489

[56] References Cited

U.S. PATENT DOCUMENTS

D. 35,652	2/1902	David et al. ....	7/145
1,643,861	9/1927	Szakacs .....	D8/76
4,336,832	6/1982	Poulous .....	81/20

OTHER PUBLICATIONS

Henry Cheney Hammer Corp. Catalog, p. 42, Tinner's Seaming Hammer.

Henry Cheney Hammer Corp. Price Sheet No. 6, No. 491 Hammer.

Primary Examiner—Bruce W. Dunkins

Assistant Examiner—Clare E. Heflin

Attorney, Agent, or Firm—Frijouf, Rust & Pyle

[57] CLAIM

The ornamental design for a combined hammer and hatchet, as shown and described.

DESCRIPTION

FIG. 1 is a side elevational view of a combined hammer and hatchet showing my new design;

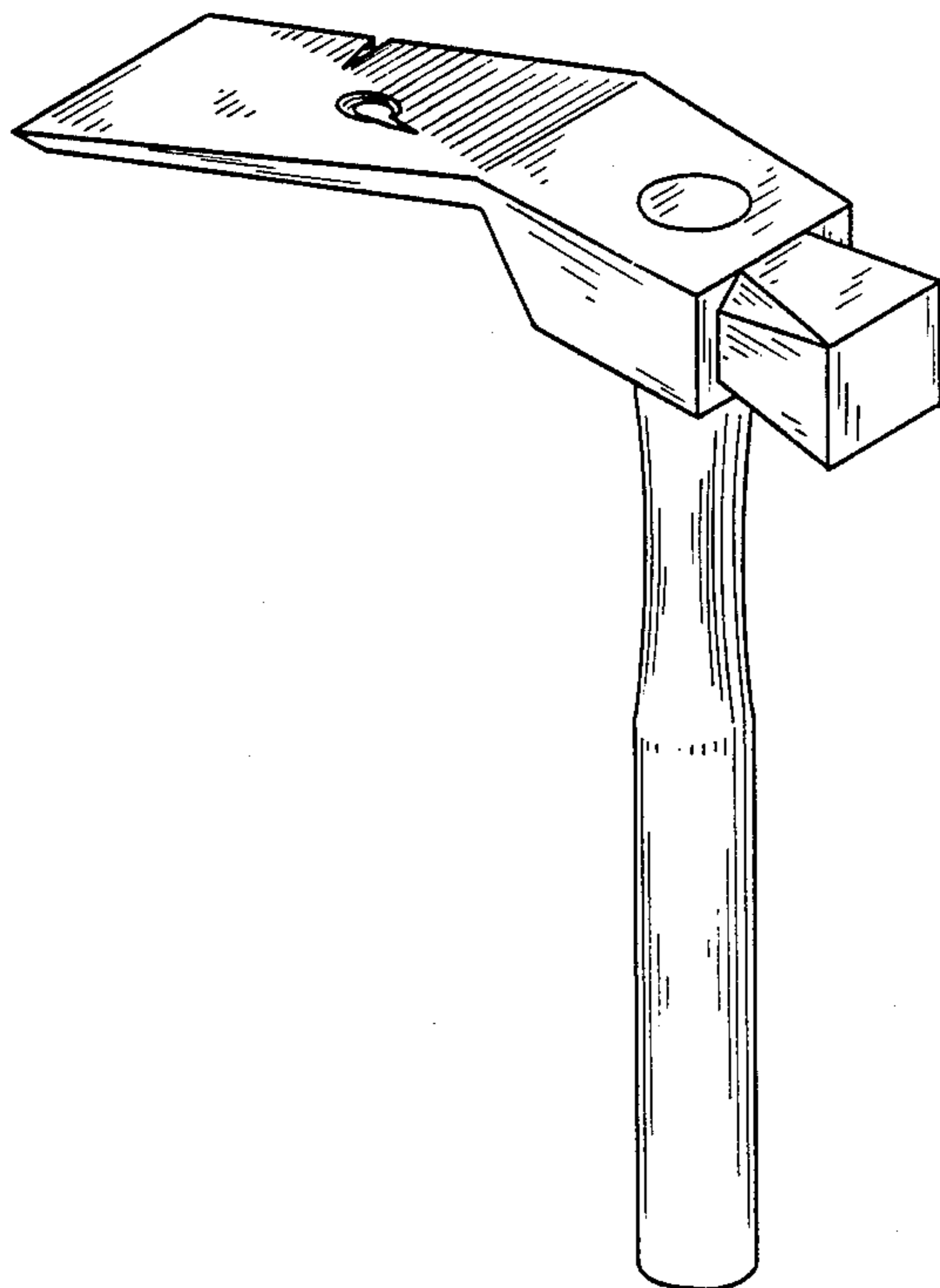
FIG. 2 is a top plan view thereof;

FIG. 3 is a bottom plan view thereof;

FIG. 4 is a rear elevational view thereof;

FIG. 5 is a front elevational view thereof; and

FIG. 6 is an isometric view thereof.



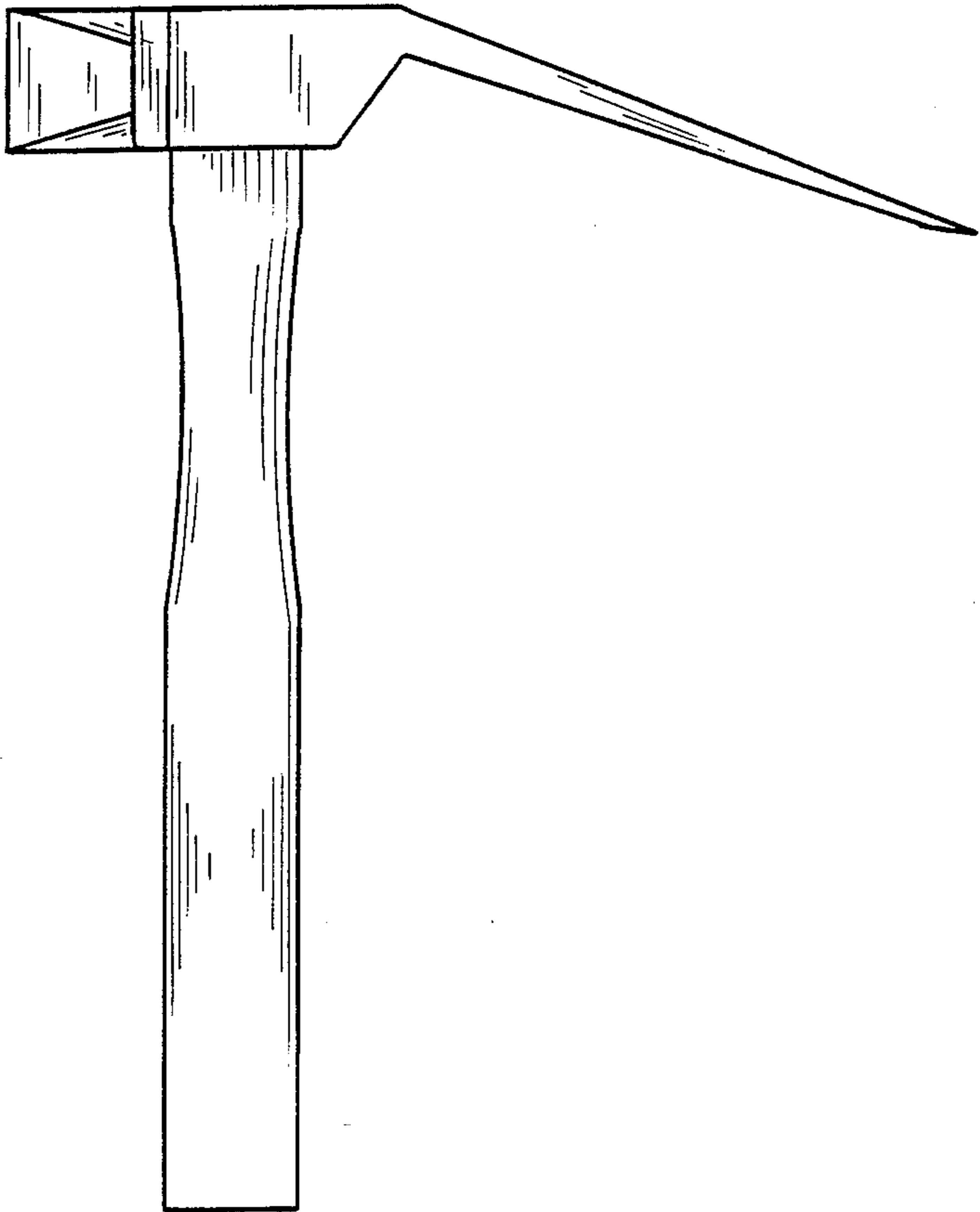


FIG. 1

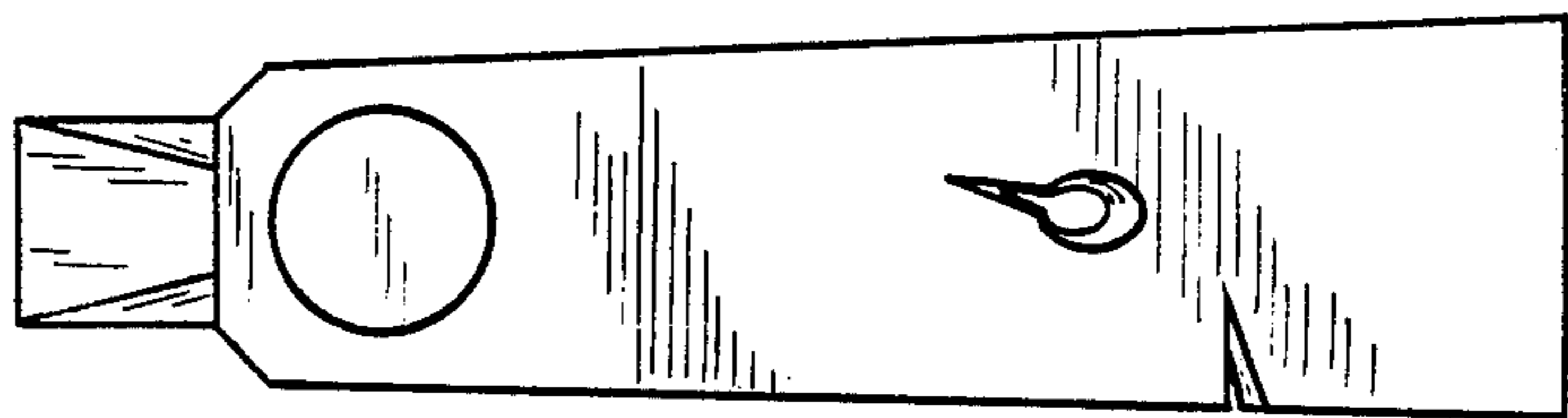


FIG. 2

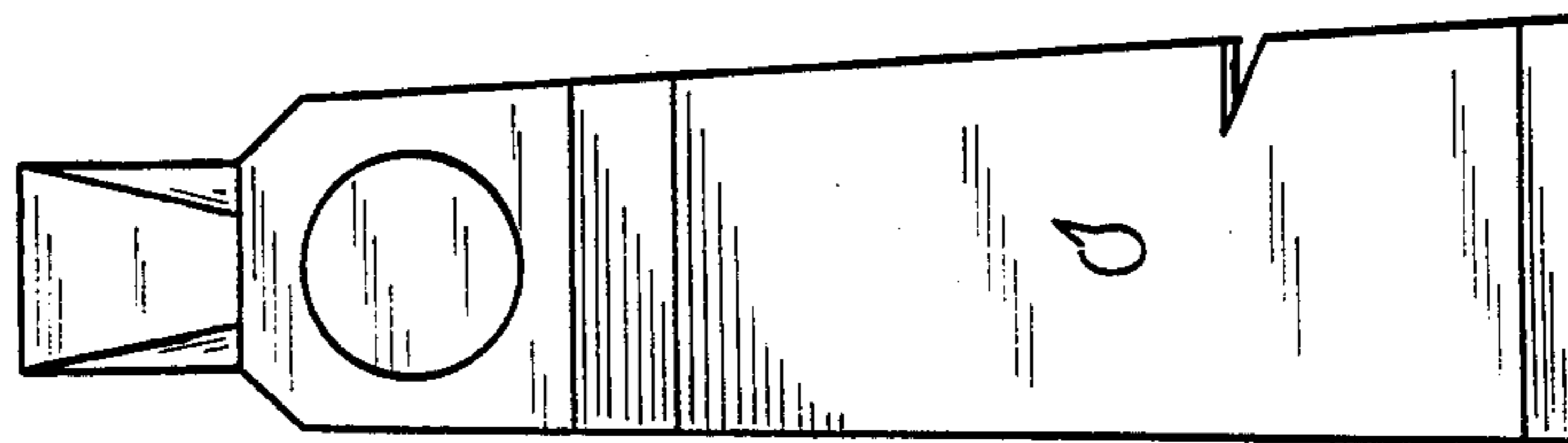


FIG. 3

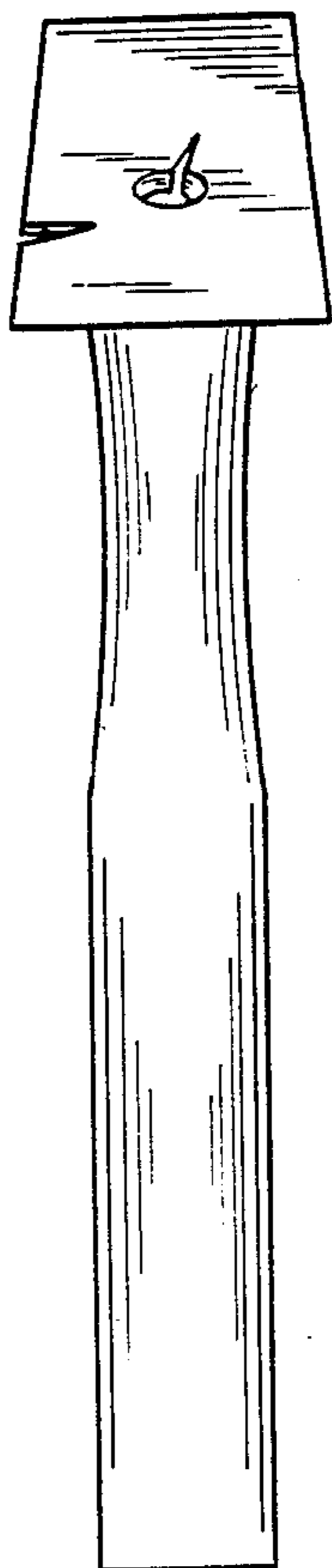


FIG. 4

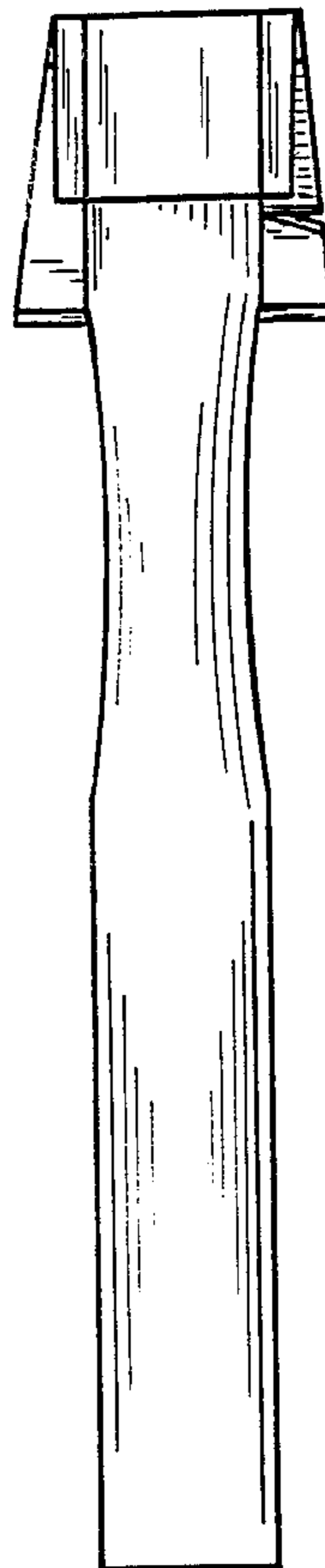


FIG. 5

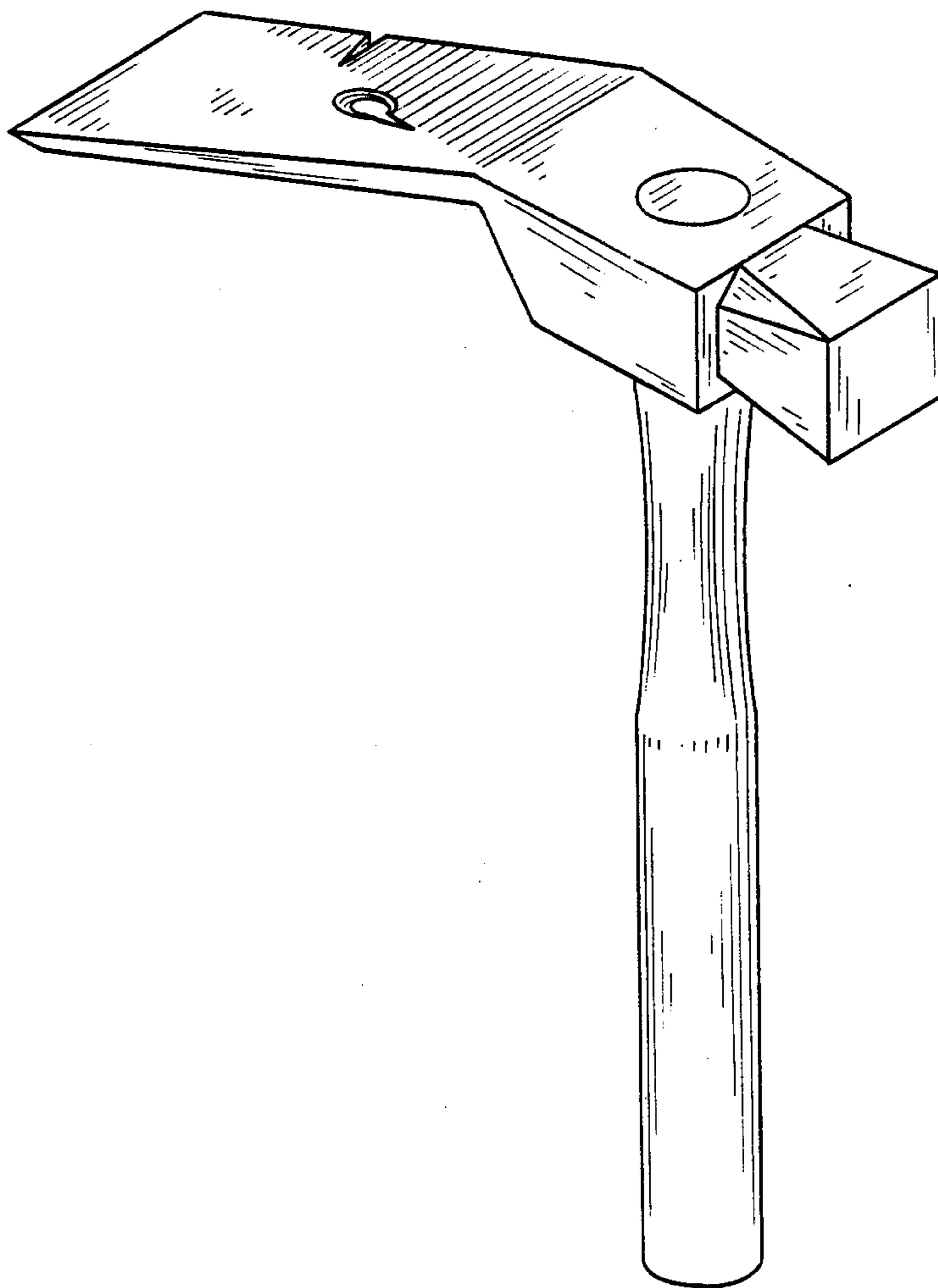


FIG. 6